



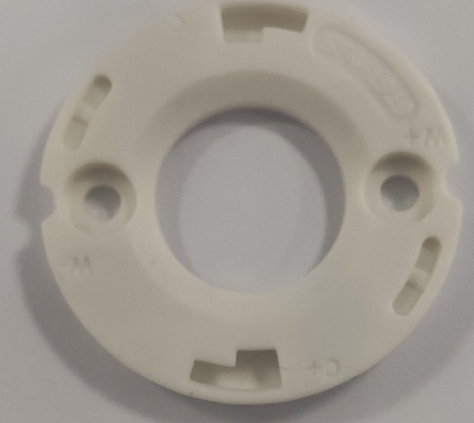
Bridgelux® Solderless Holder

Product Data Sheet DS1340

PRELIMINARY

Introduction

Solderless Holder



Bridgelux Solderless Holder Assemblies provide ultimate convenience for simple and reliable solderless connections to Bridgelux's LED Arrays.

Bridgelux Solderless Holder is a revolutionary light source system that integrates Bridgelux's V series COB technology with poke-in connectivity enabling solder-free installation. Bridgelux Solderless Holder and LED light sources streamline assembly processes, lower manufacturing cost, simplify luminaire design, improve light quality and increase design flexibility.

The harness system provides fast and solderless connections to V series LED arrays which greatly improves production throughput and minimizes possible connection related defect and damage.

Features

- Vertical snap-to-mate connection
- Positive-lock latching feature
- Gold-plated contacts
- Halogen-free UL94V-0

Benefits

- Minimizes handling of arrays during installation, greatly reducing the possibility of damage.
- Enables a fast, easy and reliable holder to the LED array
- Provides a slim design for space-limited applications. Minimizes risk of affecting light output
- Highly reliable, low contact resistance
- Meets RoHS requirements and is UL-flammability rated
- Provides design flexibility



Contents

Product Feature Map	2
Product Nomenclature	2
Product Selection Guide	3
Mechanical Dimensions	4
Product Specifications	8
Packaging and Labeling	8
Design Resources	9
Disclaimers	9
About Bridgelux	10

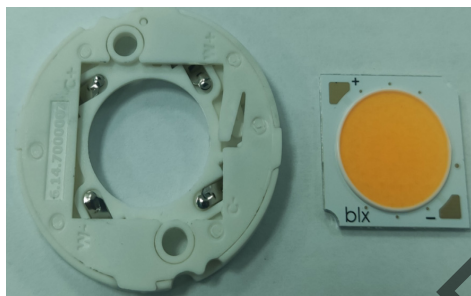
PRELIMINARY

Product Feature Map

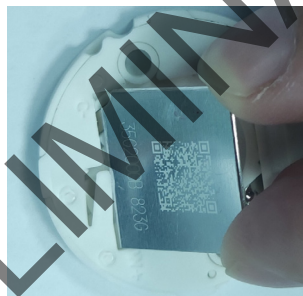
Bridgelux Solderless Holder is available in four different light emitting surface (LES) configurations—BXHD-1212, BXHD-1313, BXHD-1616 and BXHD-1919 -- and includes several features to simplify the design integration and manufacturing process.



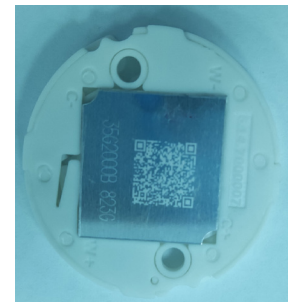
Easy Two-Step Assembly Process



Step 1. Check the positive contact.



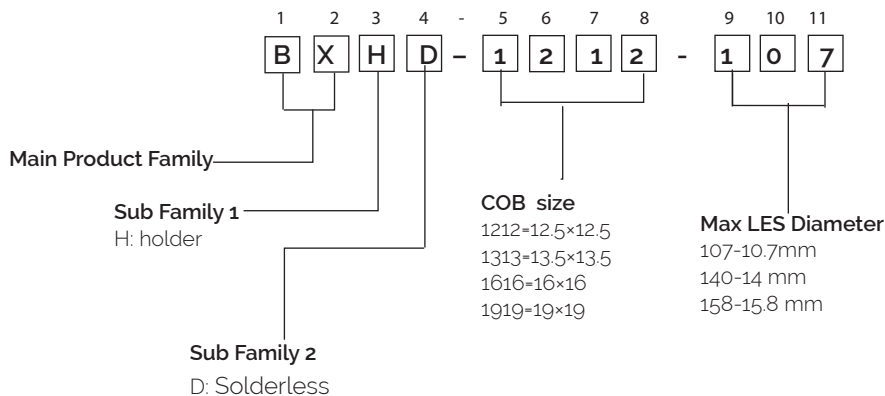
Step 2. Align the gap and push straight down to holder



Completed Array and holder (shown backside)

Product Nomenclature

The part number designation for Bridgelux Solderless Holder Assemblies is explained as follows.



Product Selection Guide

The following product configurations are available:

Table 1: Selection Guide

Bridgelux Part Number	Array Size (mm x mm)	Max LES (mm)	Bridgelux arrays
BXHD-1212-107	12.5 x 12.5	10.7	V6,V8,V3HD,V4HD,Vesta Tunable 6
BXHD-1313-107	13.5 x 13.5	10.7	V10,V6HD
BXHD-1616-140	15.8 x 15.8	14	Vesta Tunable 9
BXHD-1919-158	19 x 19	15.8	V13,V9HD

Notes for Table 1:

1. Additional holder designs can be requested. Consult sales for more information.

Table 2:List of suitable conductor types, wire sizes and maximum insulation diameter

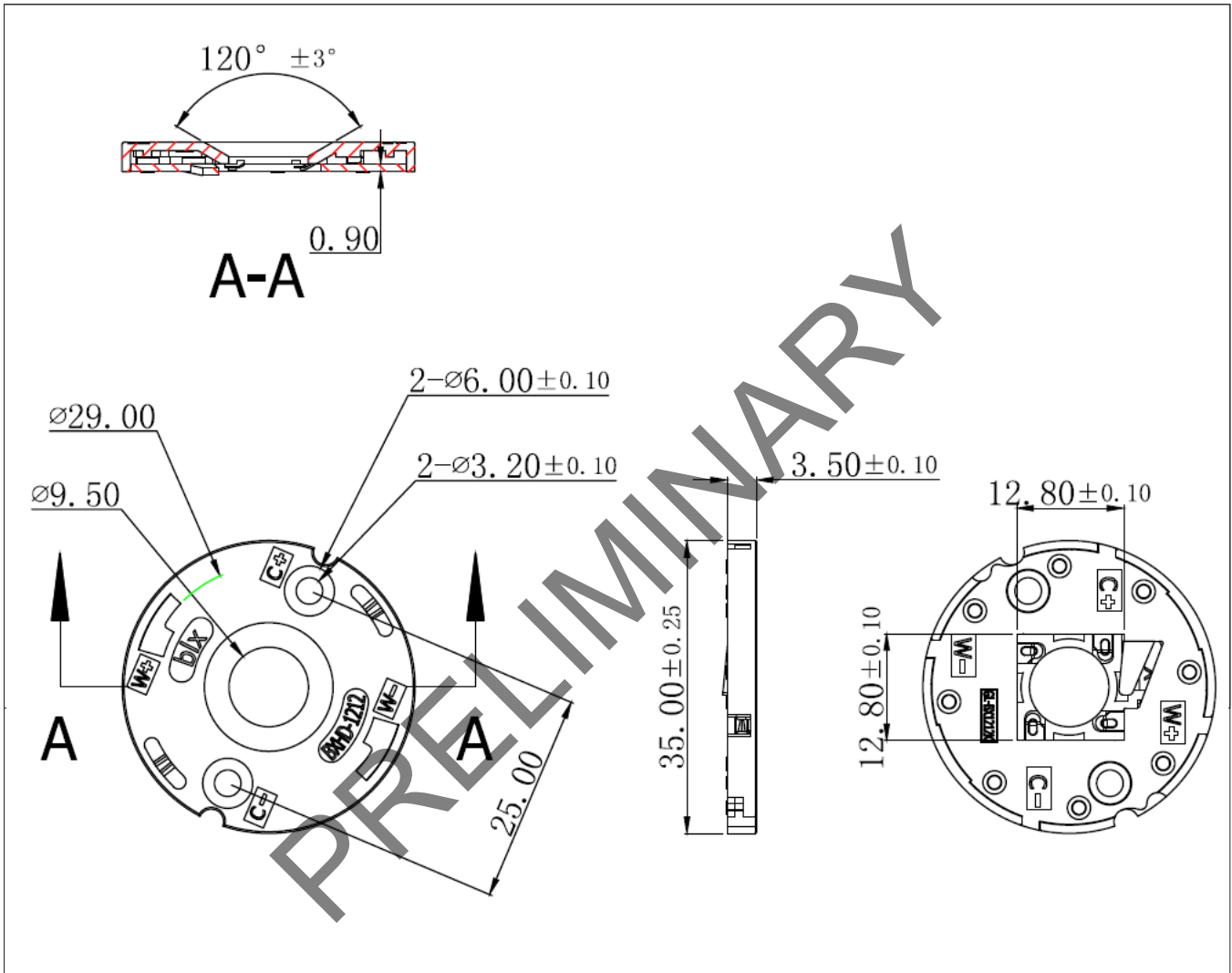
Conductor Type	Wire Size	Insulation Diameter (mm)
Solid,Stranded and tinned,or Stranded	AWG22	2.1mm maximum
	AWG20	
	AWG18	
	0.34mm ²	
	0.50mm ²	
	0.75mm ²	

Notes for Table 2:

1. Additional holder designs can be requested. Consult Sales for more information

Mechanical Dimensions

Figure 1: Drawing for BXHD-1212 holder

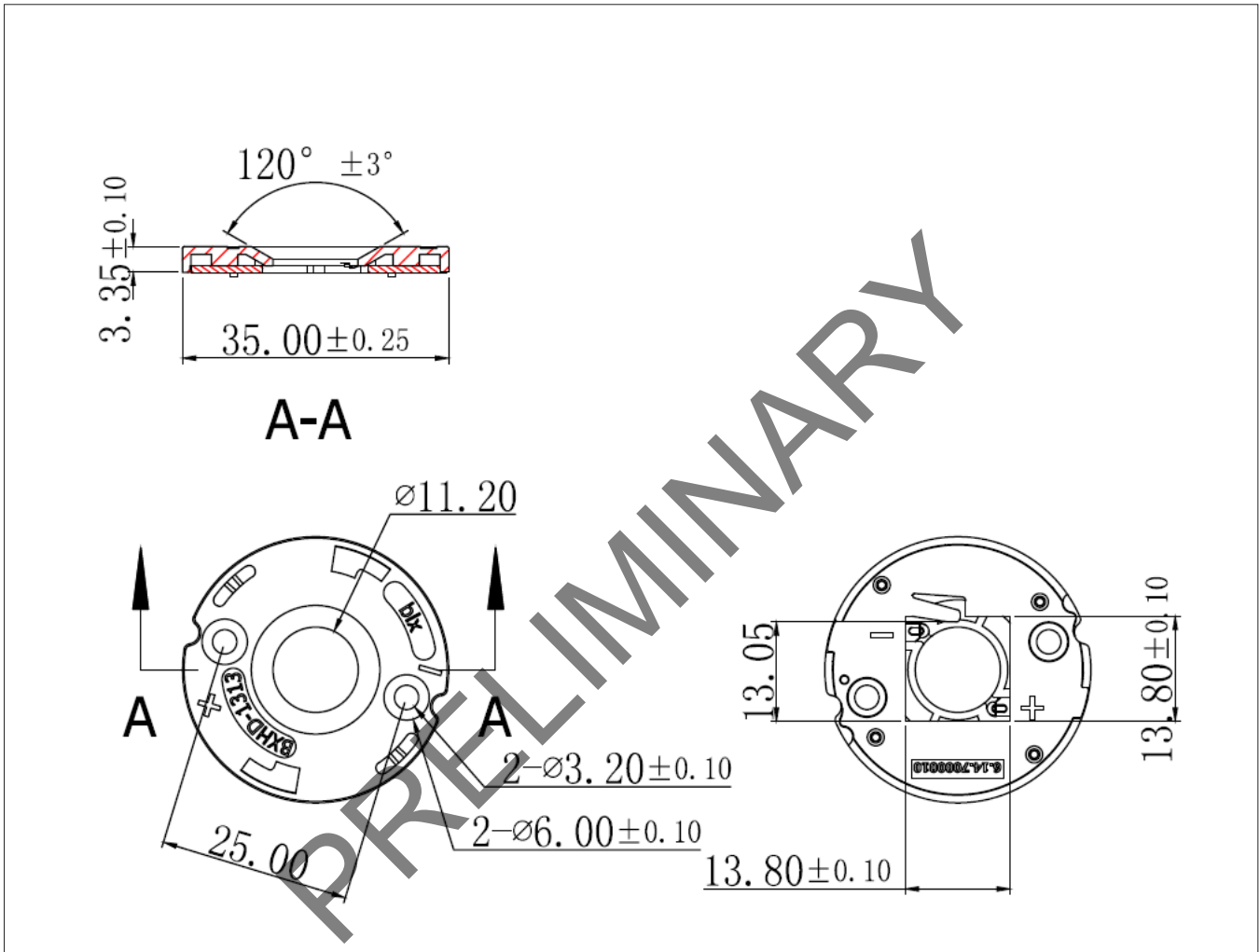


Notes for Figure 1:

1. Drawings are not to scale.
2. Drawing dimensions are in millimeters.
3. Unless otherwise specified, tolerances are ±0.15 mm.
4. Solder pad labeled "+" denotes positive contact.
5. Bridgelux maintains a flatness of 0.10mm across the mounting surface of the array.

Mechanical Dimensions

Figure 2: Drawing for BXHD-1313 holder

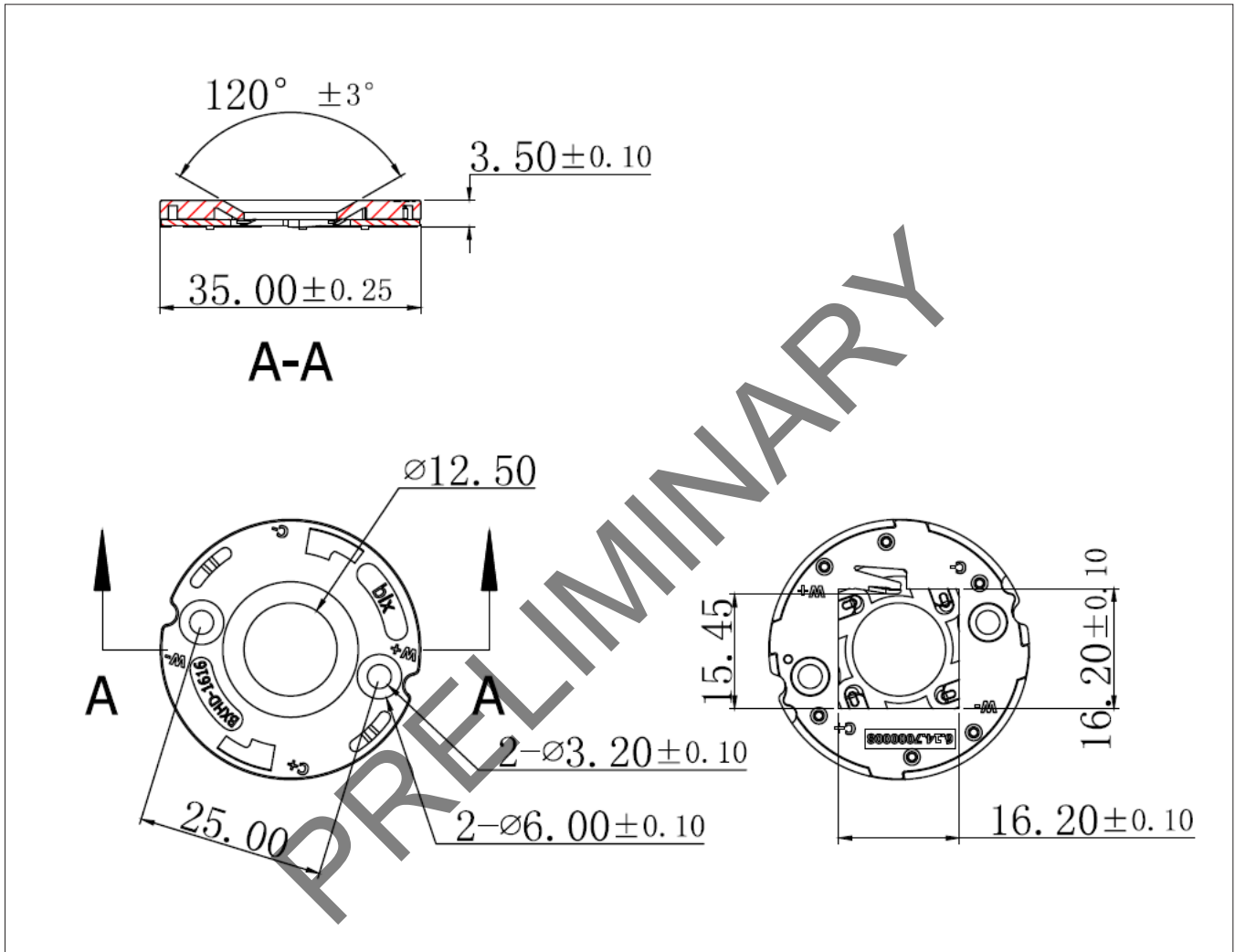


Notes for Figure 2:

1. Drawings are not to scale.
2. Drawing dimensions are in millimeters.
3. Unless otherwise specified, tolerances are ± 0.15 mm.
4. Solder pad labeled "+" denotes positive contact.
5. Bridgelux maintains a flatness of 0.10mm across the mounting surface of the array.

Mechanical Dimensions

Figure 3: Drawing for BXHD-1616 holder

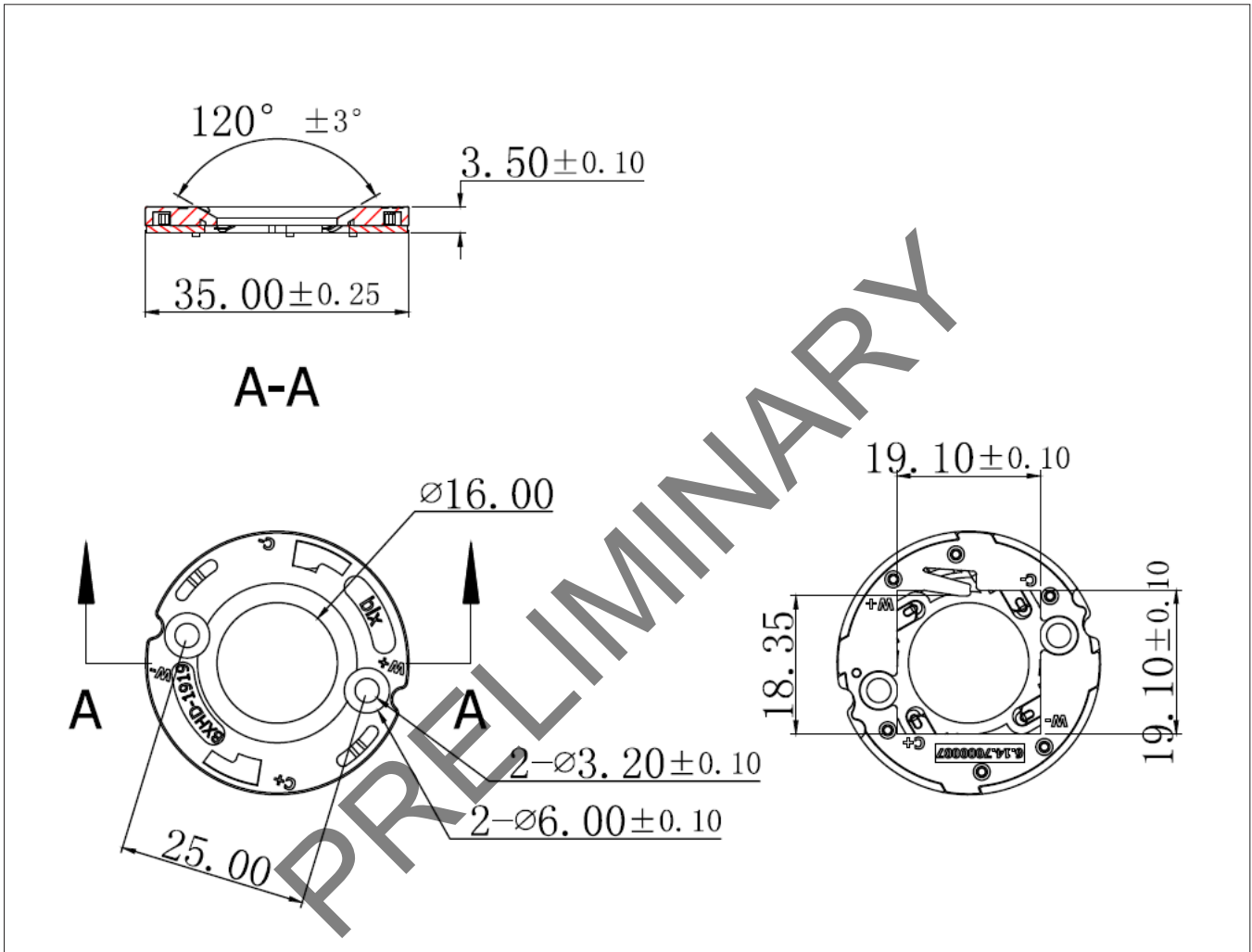


Notes for Figure 3:

1. Drawings are not to scale.
2. Drawing dimensions are in millimeters.
3. Unless otherwise specified, tolerances are ±0.15 mm.
4. Solder pad labeled "+" denotes positive contact.
5. Bridgelux maintains a flatness of 0.10mm across the mounting surface of the array.

Mechanical Dimensions

Figure 4: Drawing for BXHD-1919 holder



Notes for Figure 4:

1. Drawings are not to scale.
2. Drawing dimensions are in millimeters.
3. Unless otherwise specified, tolerances are ± 0.15 mm.
4. Solder pad labeled "+" denotes positive contact.
5. Bridgelux maintains a flatness of 0.10mm across the mounting surface of the array.

Product Specifications

Reference Information

Packaging: Bags inside box

UL File NO.:

Integral holder on Bridgelux V series LED Array

Refer to Application Notes AN120 for product handling, mounting and heat sink recommendations.

Fire rating : V0

RoHS: Yes

Electrical

Voltage (max.): 72V

Current (max.): 3.6A

PRELIMINARY

Design Resources

Application Notes

Bridgelux has developed a comprehensive set of application notes and design resources to assist customers in successfully designing with the V series product family of LED array products. For all available application notes visit www.bridgelux.com.

Disclaimers

MINOR PRODUCT CHANGE POLICY

The rigorous qualification testing on products offered by Bridgelux provides performance assurance. Slight cosmetic changes that do not affect form, fit, or function may occur as Bridgelux continues product optimization.

PRELIMINARY

About Bridgelux: Bridging Light and Life™

At Bridgelux, we help companies, industries and people experience the power and possibility of light. Since 2002, we've designed LED solutions that are high performing, energy efficient, cost effective and easy to integrate. Our focus is on light's impact on human behavior, delivering products that create better environments, experiences and returns—both experiential and financial. And our patented technology drives new platforms for commercial and industrial luminaires.

For more information about the company, please visit
bridgelux.com
twitter.com/Bridgelux
facebook.com/Bridgelux
youtube.com/user/Bridgelux
linkedin.com/company/bridgelux-inc-_2
WeChat ID: BridgeluxInChina

PRELIMINARY



46410 Fremont Boulevard
Fremont, CA 94538 U.S.A.
Tel (925) 583-8400
www.bridgelux.com

© 2023 Bridgelux, Inc. All rights reserved. Product specifications are subject to change without notice. Bridgelux, the Bridgelux stylized logo design and Vero are registered trademarks. V Series and Decor Series are trademarks of Bridgelux, Inc. All other trademarks are the property of their respective owners.

Bridgelux Solderless Holder Product Data Sheet DS1340 Rev. A (06/2023)