



US011204141B2

(12) **United States Patent**
Farmer

(10) **Patent No.:** **US 11,204,141 B2**
(45) **Date of Patent:** **Dec. 21, 2021**

(54) **SIDE LIGHT LED TROFFER TUBE**

(71) Applicant: **BRIDGELUX, INC.**, Fremont, CA (US)

(72) Inventor: **Todd Farmer**, Fremont, CA (US)

(73) Assignee: **BRIDGELUX, INC.**, Fremont, CA (US)

(*) Notice: Subject to any disclaimer, the term of this patent is extended or adjusted under 35 U.S.C. 154(b) by 0 days.

(21) Appl. No.: **17/194,067**

(22) Filed: **Mar. 5, 2021**

(65) **Prior Publication Data**

US 2021/0262627 A1 Aug. 26, 2021

Related U.S. Application Data

(63) Continuation of application No. 16/926,296, filed on Jul. 10, 2020, now Pat. No. 10,962,184, which is a continuation of application No. 16/436,237, filed on Jun. 10, 2019, now Pat. No. 10,711,960, which is a continuation of application No. 15/601,829, filed on May 22, 2017, now Pat. No. 10,317,027, which is a continuation of application No. 13/086,235, filed on Apr. 13, 2011, now Pat. No. 9,657,907.

(60) Provisional application No. 61/423,018, filed on Dec. 14, 2010.

(51) **Int. Cl.**

F21S 8/04 (2006.01)
F21V 3/06 (2018.01)
F21K 9/27 (2016.01)
F21K 9/66 (2016.01)
F21K 9/69 (2016.01)
F21V 3/02 (2006.01)

F21V 3/04 (2018.01)
F21V 8/00 (2006.01)
F21Y 103/30 (2016.01)
F21Y 103/33 (2016.01)
F21Y 115/10 (2016.01)
F21V 7/00 (2006.01)
F21Y 101/00 (2016.01)

(52) **U.S. Cl.**

CPC **F21S 8/04** (2013.01); **F21K 9/27** (2016.08); **F21K 9/66** (2016.08); **F21K 9/69** (2016.08); **F21V 3/02** (2013.01); **F21V 3/049** (2013.01); **F21V 3/06** (2018.02); **G02B 6/001** (2013.01); **F21V 7/005** (2013.01); **F21Y 2101/00** (2013.01); **F21Y 2103/30** (2016.08); **F21Y 2103/33** (2016.08); **F21Y 2115/10** (2016.08)

(58) **Field of Classification Search**

CPC **F21S 8/04**; **F21K 9/27**; **G02B 6/001**
See application file for complete search history.

(56) **References Cited**

U.S. PATENT DOCUMENTS

6,031,958 A 2/2000 McGaffigan
6,601,984 B2 * 8/2003 Yamamoto F21S 9/026
362/559
6,621,973 B1 9/2003 Hoffman
(Continued)

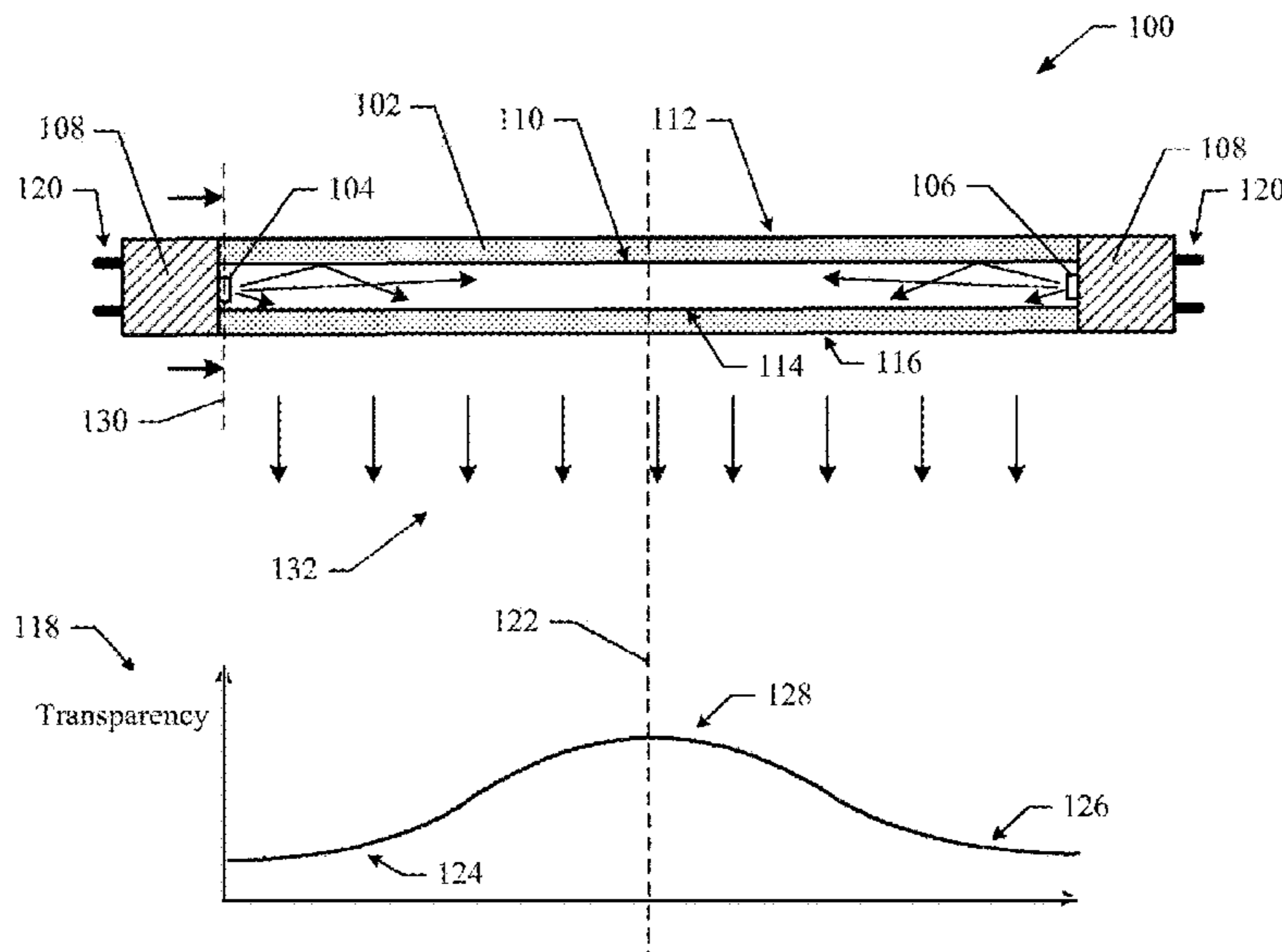
Primary Examiner — Evan P Dzierzynski

(74) *Attorney, Agent, or Firm* — Arent Fox LLP

(57) **ABSTRACT**

Side light LED troffer tube. In an aspect, a side light LED tube is provided that includes a tube having at least one light receiving portion configured to receive light and gradient optics formed on the tube. The gradient optics providing a transparency gradient configured to distribute the light to achieve a selected emitted light intensity variation across a selected surface of the tube.

20 Claims, 6 Drawing Sheets



(56)

References Cited

U.S. PATENT DOCUMENTS

8,358,266 B2 * 1/2013 Khazeni G02B 6/0065
345/108
8,870,428 B2 * 10/2014 Unger F21V 13/04
362/555
2002/0131275 A1 9/2002 Yamamoto et al.
2004/0066659 A1 * 4/2004 Mezei G02B 6/0021
362/555
2008/0198624 A1 8/2008 Lundin et al.
2010/0033988 A1 2/2010 Chiu et al.
2012/0170305 A1 * 7/2012 Rudek G02B 6/001
362/581
2015/0292696 A1 * 10/2015 Soofer G02B 6/0008
362/554

* cited by examiner

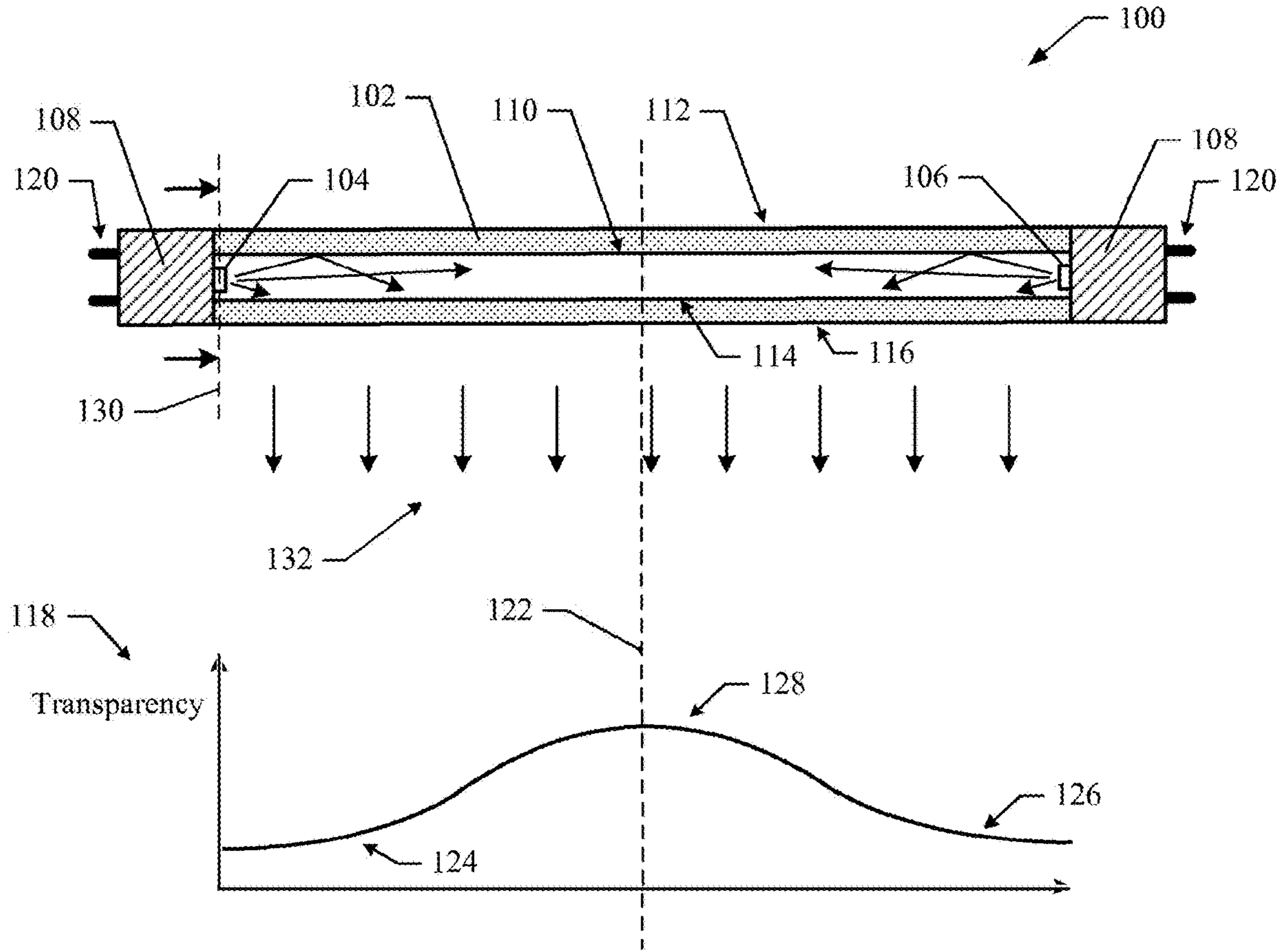


FIG. 1

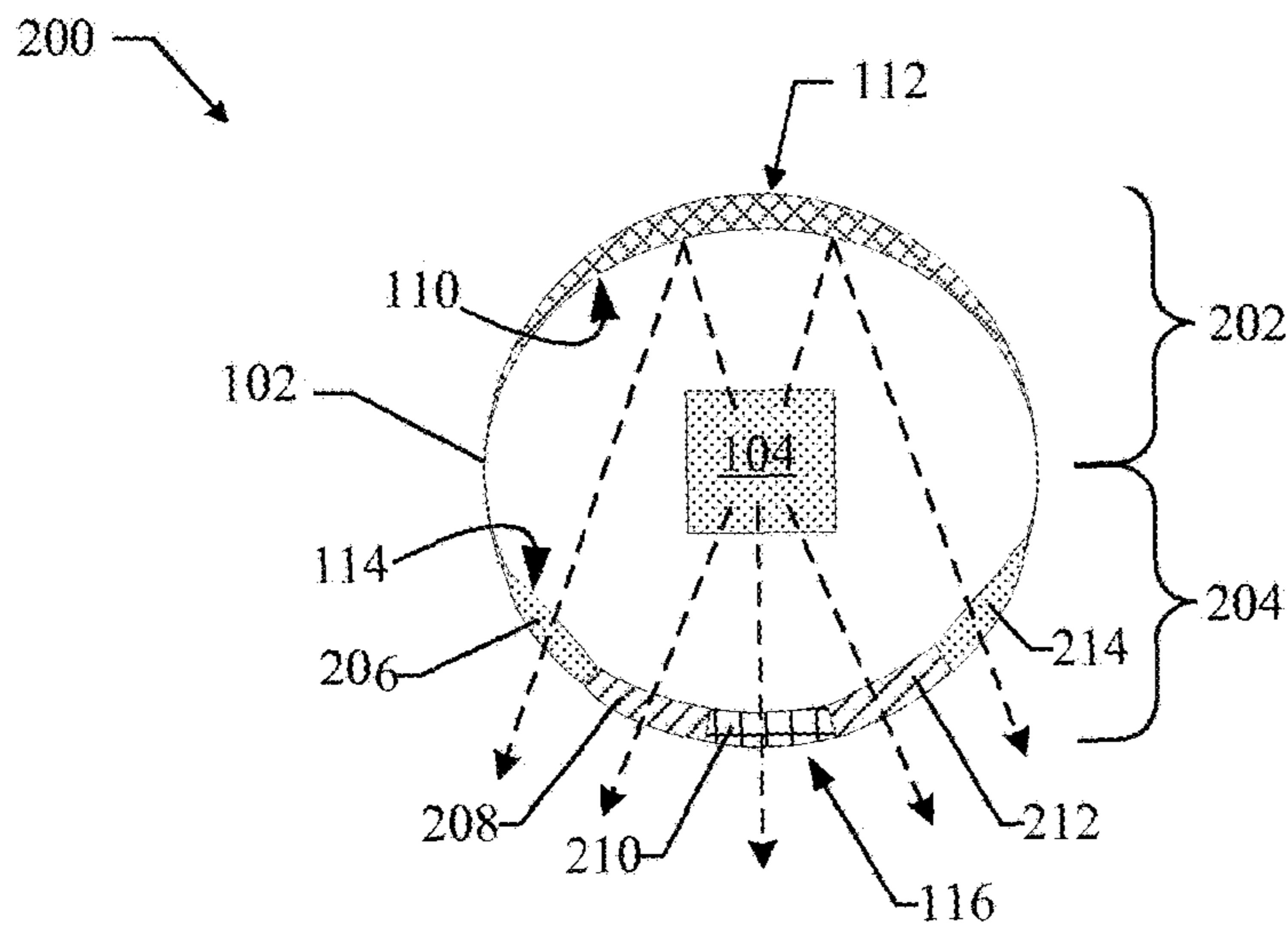


FIG. 2

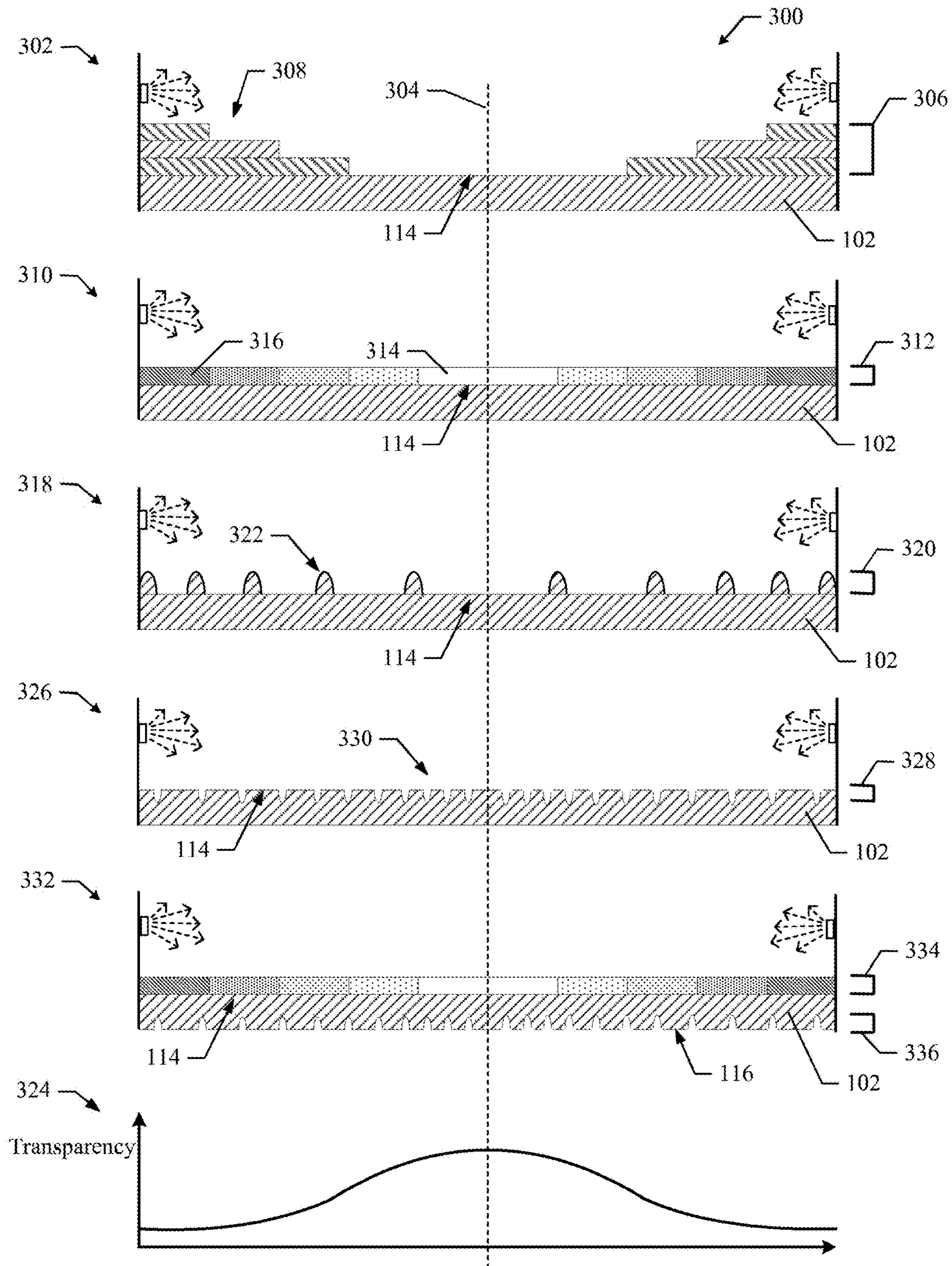


FIG. 3

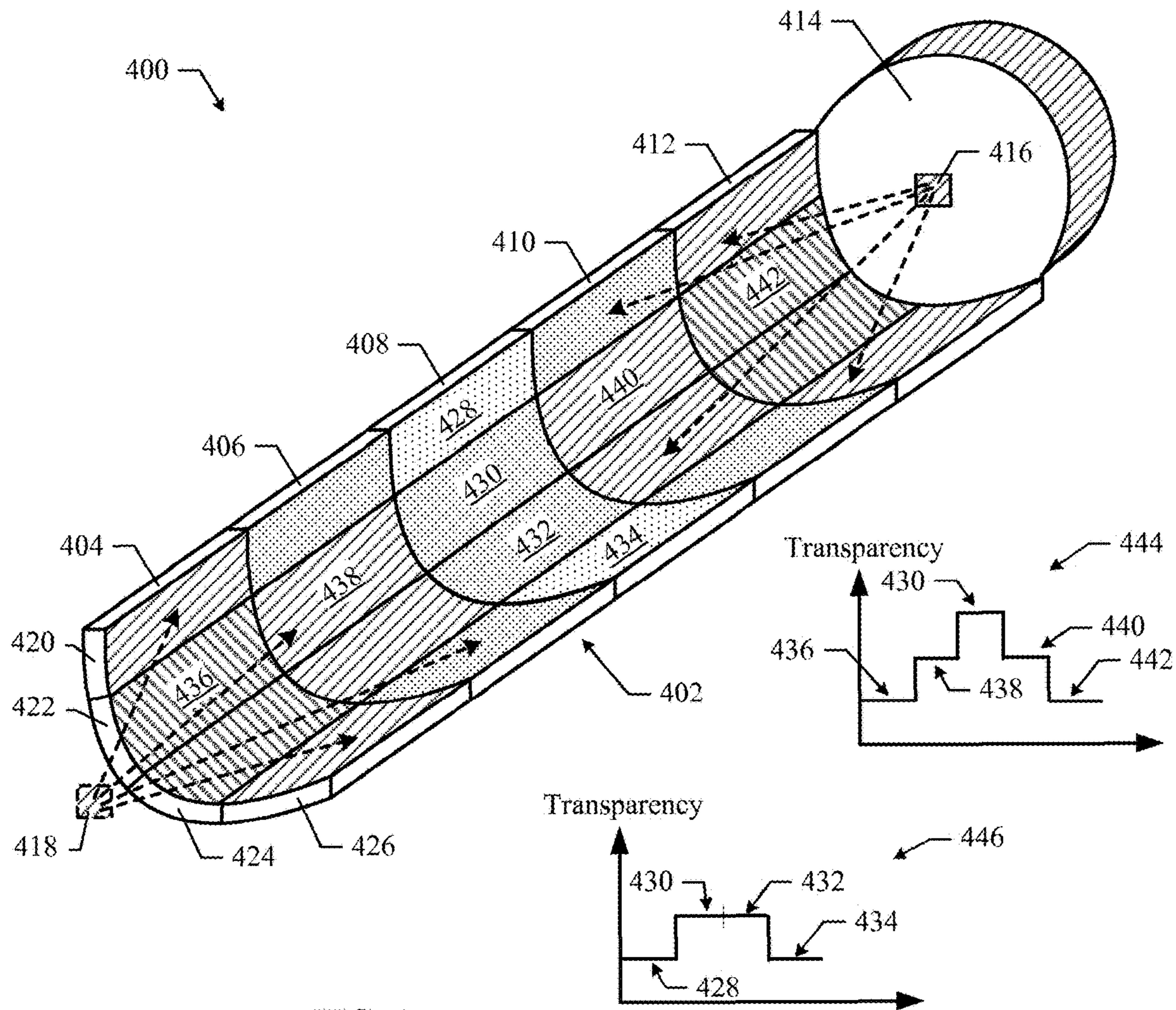


FIG. 4

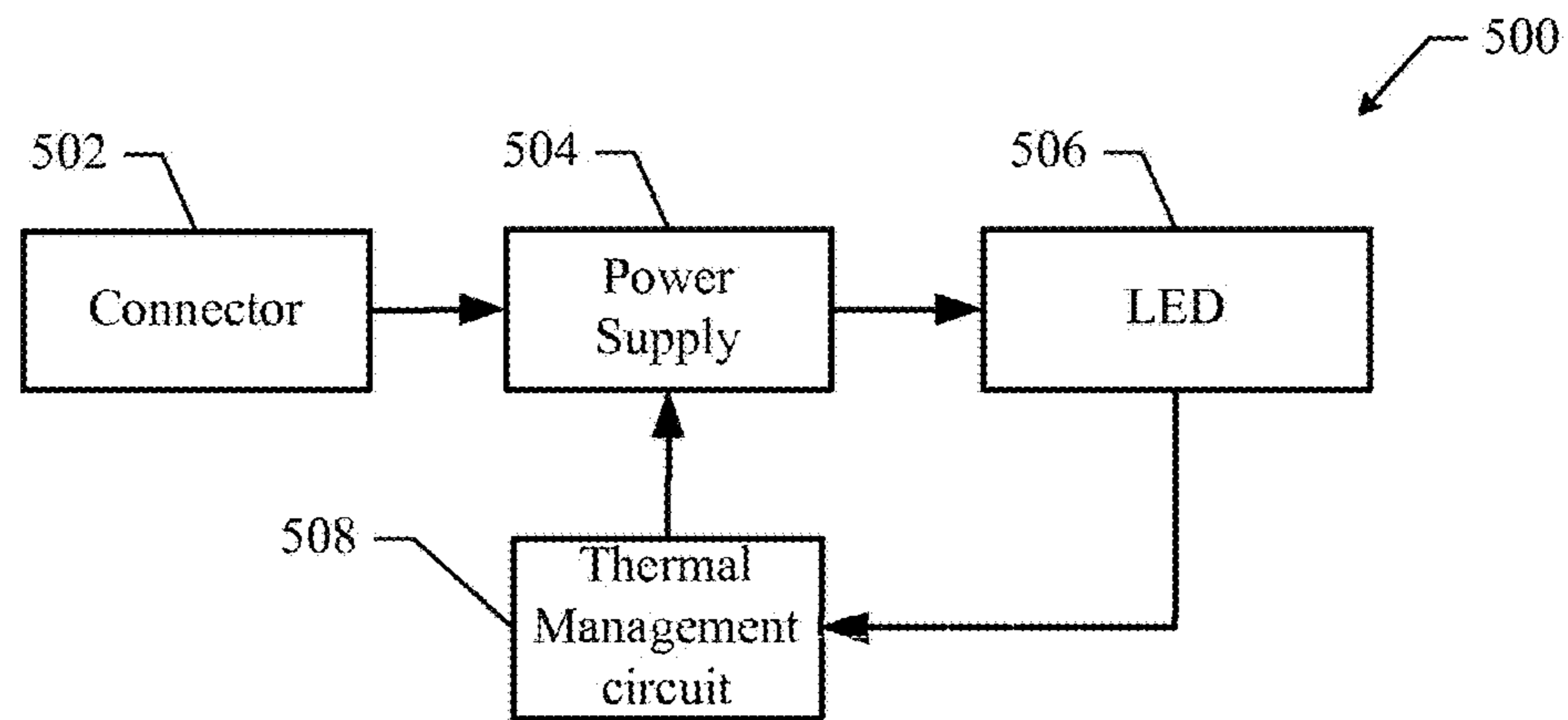


FIG. 5

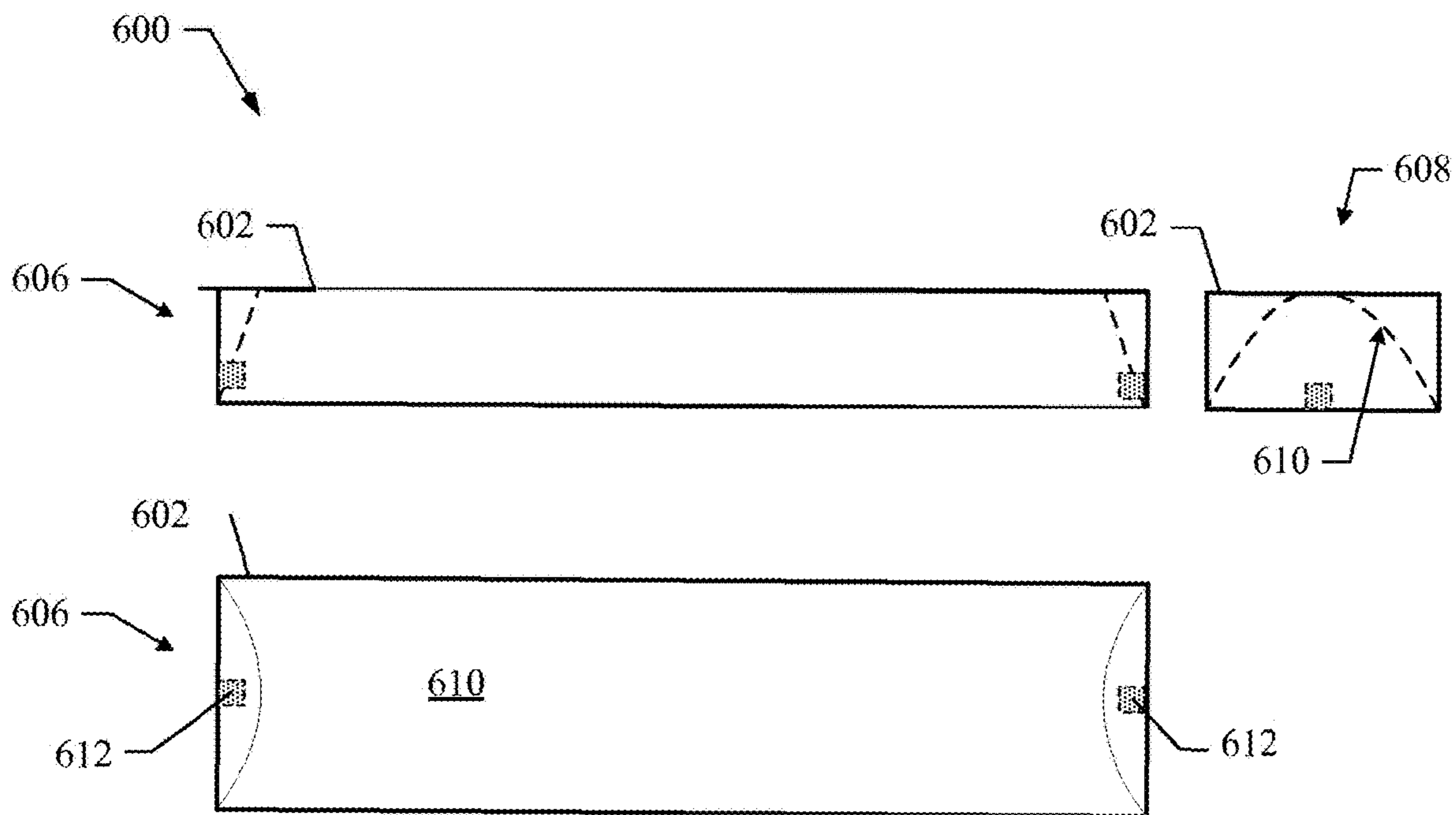


FIG. 6

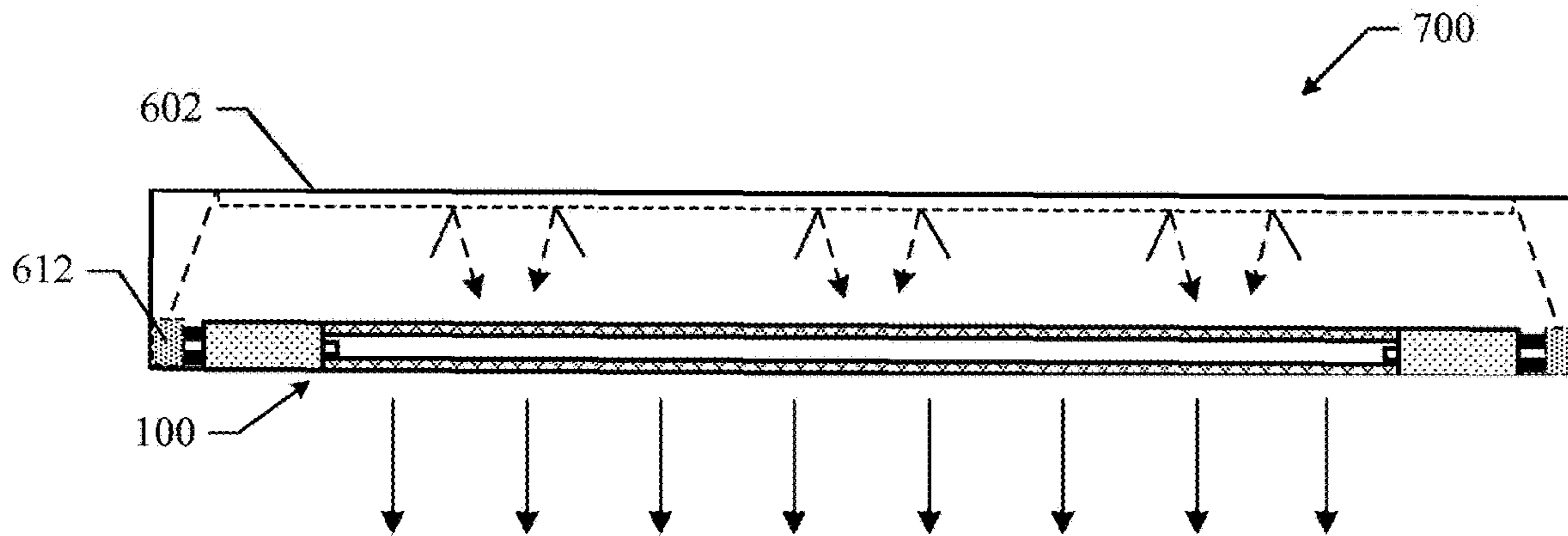


FIG. 7

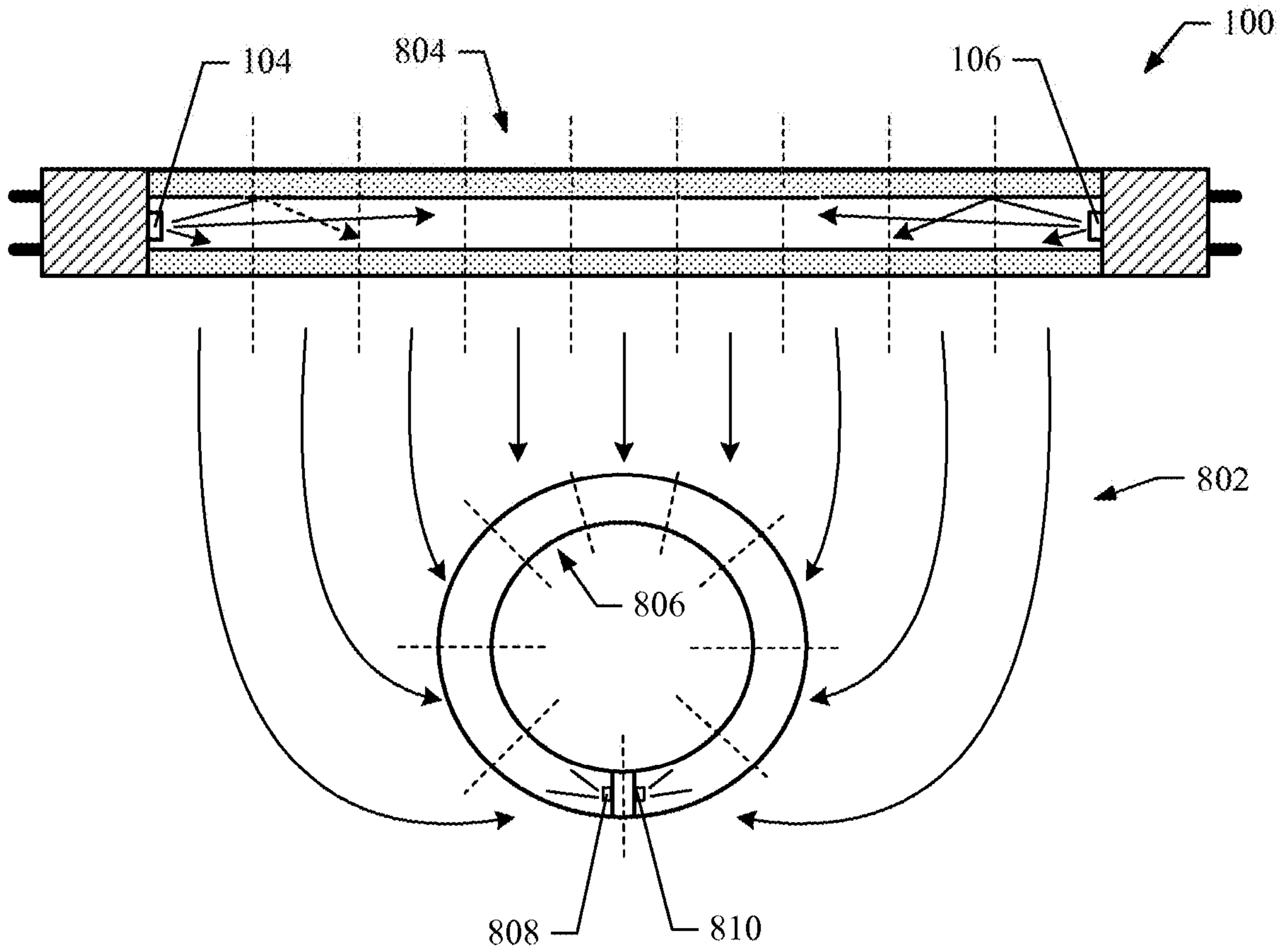


FIG. 8

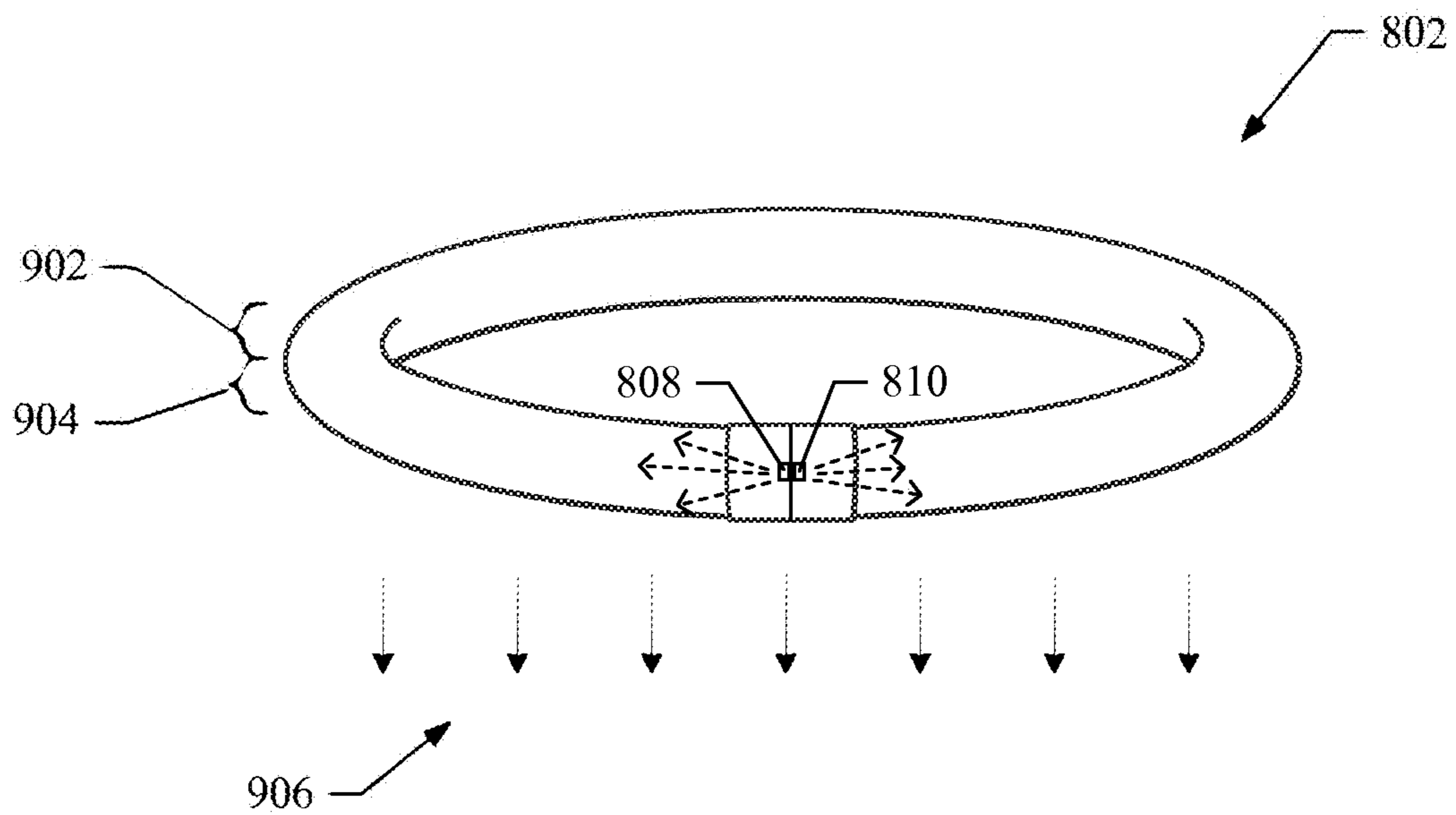


FIG. 9

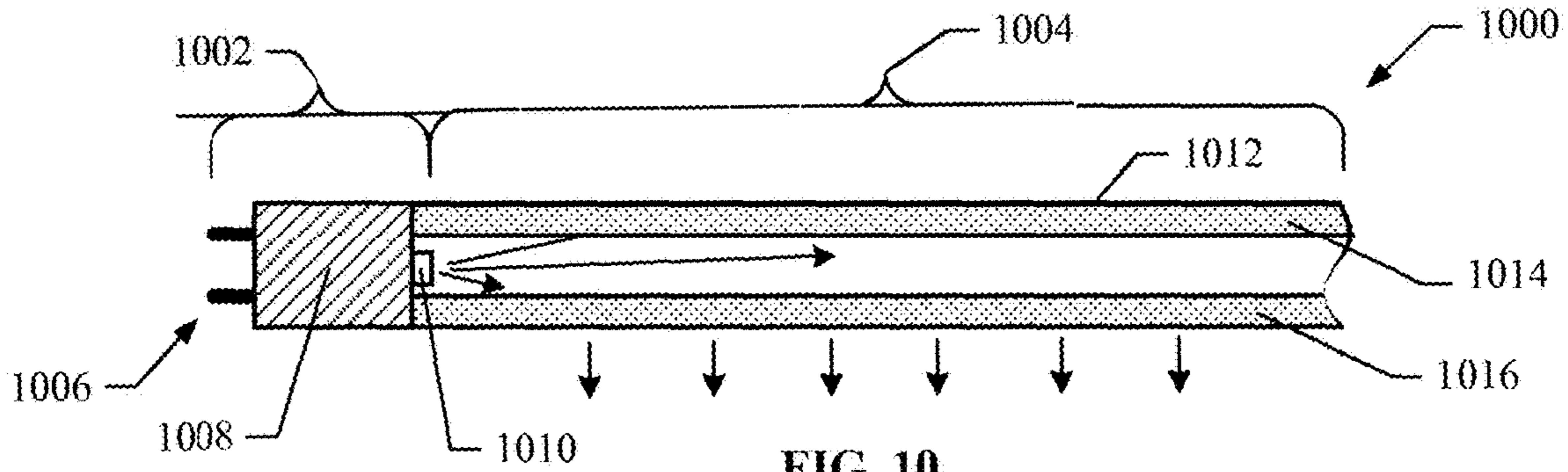


FIG. 10

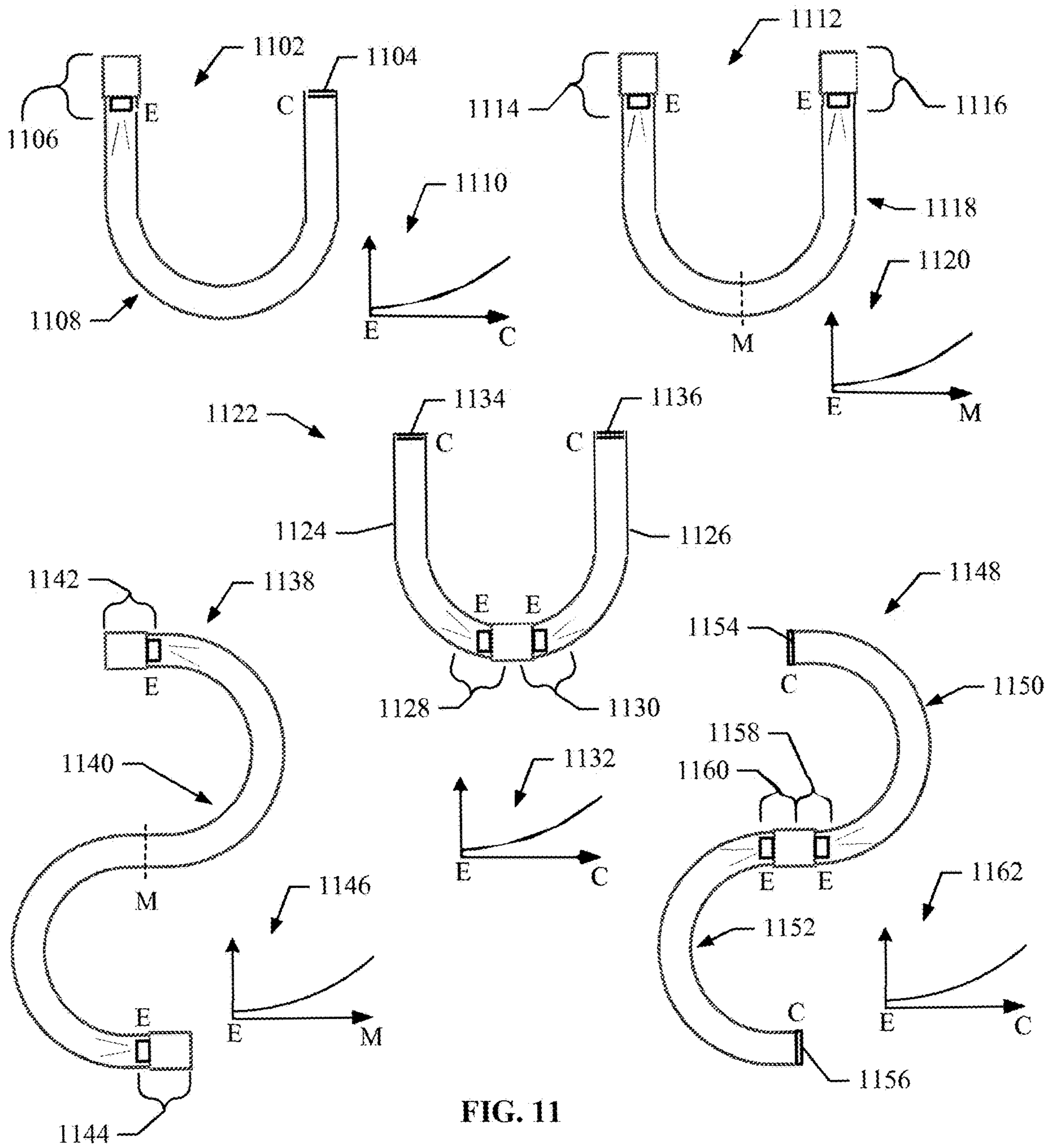


FIG. 11

SIDE LIGHT LED TROFFER TUBE

CLAIM OF PRIORITY UNDER 35 U.S.C. § 119

This application is a Continuation of U.S. patent application Ser. No. 16/926,296, filed on Jul. 10, 2020, which is a continuation of U.S. patent application Ser. No. 16/436,237, filed on Jun. 10, 2019, now U.S. Pat. No. 10,711,960, which is a continuation of U.S. patent application Ser. No. 15/601,829, filed on May 22, 2017, now U.S. Pat. No. 10,317,027, which is a continuation of U.S. patent application Ser. No. 13/086,235, filed on Apr. 13, 2011, now U.S. Pat. No. 9,657,907, which claims the benefit of priority from U.S. Provisional Patent Application No. 61/423,018, entitled "SIDE LIGHT LED TROFFER TUBE" filed on Dec. 14, 2010, the disclosures of each of which are incorporated herein by reference in their entireties.

BACKGROUND

Field

The present application relates generally to light emitting diodes, and more particularly, to a side light LED troffer tube that provides selectable light distribution using LED light sources.

Background

A light emitting diode comprises a semiconductor material impregnated, or doped, with impurities. These impurities add "electrons" and "holes" to the semiconductor, which can move in the material relatively freely. Depending on the kind of impurity, a doped region of the semiconductor can have predominantly electrons or holes, and is referred to as an n-type or p-type semiconductor region, respectively.

In LED applications, an LED semiconductor chip includes an n-type semiconductor region and a p-type semiconductor region. A reverse electric field is created at the junction between the two regions, which causes the electrons and holes to move away from the junction to form an active region. When a forward voltage sufficient to overcome the reverse electric field is applied across the p-n junction, electrons and holes are forced into the active region and combine. When electrons combine with holes, they fall to lower energy levels and release energy in the form of light. The ability of LED semiconductors to emit light has allowed these semiconductors to be used in a variety of lighting devices. For example, LED semiconductors may be used in general lighting devices for interior or exterior applications.

A troffer is a light fixture resembling an inverted trough that is typically either recessed in, or suspended from, the ceiling. Troffers are typically designed to emit light using fluorescent lighting tubes. The fluorescent tubes emit light along the entire length of the troffer to produce a desirable light distribution pattern. Unfortunately, fluorescent lighting tubes may be unreliable, require a warm up period, and produce poor color quality and flicker that people may find undesirable. Thus, LEDs are attractive candidates for replacing fluorescent lighting tubes in troffers. For example, LEDs have no warm up time, are long lasting and power efficient, and do not flicker.

However, LEDs are considered to be a point light source in that the light is emitted from a relatively small region. Thus, utilizing LEDs in troffers present various design challenges since it is desirable to control the intensity of

light emitted across the length of the troffer. For example, it may be desirable to have uniformly distributed light intensity across the length of the troffer. One technique for using LEDs to obtain uniformly distributed light intensity across the length of the troffer is to use a large number of LEDs that are distributed throughout the troffer. Unfortunately, this technique results in a complex troffer design and the cost of utilizing a large number of LEDs may be prohibitive.

Accordingly, what is needed is a simple and cost efficient way to use LED semiconductors in troffers and to control the intensity of light emitted from the troffer.

SUMMARY

In various aspects, a side light LED tube is provided that can be configured to control the intensity of light emitted across the surface of the tube. For example, the tube can be used in a troffer housing and configured to uniformly distribute light emitted from LED semiconductors mounted at the ends of the tube. In various implementations, the tube comprises gradient optics that are configurable to provide a transparency gradient that operates to control the intensity of light emitted across the surface of the tube. Thus, the gradient optics can be configured to produce uniform light intensity from the tube. In other implementations, the gradient optics can be configured to provide controllable distribution of emitted light intensity across the surface of the tube.

In one implementation, the tube also provides integrated power/thermal management module and is socket ready to fit into standard troffer sockets used in troffer housings. As a result, the side light LED tube can be easily installed in a troffer housing to provide configurable distribution of light intensity, such as uniform light intensity, from the troffer tube.

In an aspect, a side light LED tube is provided that comprises a tube having at least one light receiving portion configured to receive light and gradient optics formed on the tube. The gradient optics providing a transparency gradient configured to distribute the light to achieve a selected emitted light intensity variation across the surface of the tube.

It is understood that aspects of the present invention will become readily apparent to those skilled in the art from the following detailed description. As will be realized, the present invention includes other and different aspects and its several details are capable of modification in various other respects, all without departing from the spirit and scope of the present invention. Accordingly, the Drawings and Description are to be regarded as illustrative in nature and not as restrictive.

BRIEF DESCRIPTION OF THE DRAWINGS

The foregoing aspects described herein will become more readily apparent by reference to the following Description when taken in conjunction with the accompanying drawings wherein:

FIG. 1 shows an exemplary side light LED troffer tube that provides controllable distribution of emitted light intensity;

FIG. 2 shows a cross-sectional view of the side light LED troffer tube of FIG. 1;

FIG. 3 shows exemplary implementations of a gradient optics surface suitable for use with the side light LED troffer tube;

3

FIG. 4 illustrates an exemplary implementation of a troffer tube;

FIG. 5 shows an exemplary integrated power and thermal management module;

FIG. 6 shows an exemplary troffer housing suitable for use with a side light LED troffer tube;

FIG. 7 shows an exemplary assembly comprising the housing of FIG. 6 and the side light troffer tube of FIG. 1;

FIG. 8 illustrates how an exemplary side light troffer tube can be configured in a non-linear configuration;

FIG. 9 shows an exemplary perspective view of a non-linear troffer tube;

FIG. 10 shows an exemplary side light assembly; and

FIG. 11 shows top views of exemplary lighting devices formed from the side light assembly shown in FIG. 10.

DESCRIPTION

The present invention is described more fully hereinafter with reference to the accompanying drawings, in which various aspects of the present invention are shown. This invention may, however, be embodied in many different forms and should not be construed as limited to the various aspects of the present invention presented throughout this disclosure. Rather, these aspects are provided so that this disclosure will be thorough and complete, and will fully convey the scope of the present invention to those skilled in the art. The various aspects of the present invention illustrated in the drawings may not be drawn to scale. Accordingly, the dimensions of the various features may be expanded or reduced for clarity. In addition, some of the drawings may be simplified for clarity. Thus, the drawings may not depict all of the components of a given apparatus (e.g., device) or method.

Various aspects of the present invention will be described herein with reference to drawings that are schematic illustrations of idealized configurations of the present invention. As such, variations from the shapes of the illustrations as a result, for example, manufacturing techniques and/or tolerances, are to be expected. Thus, the various aspects of the present invention presented throughout this disclosure should not be construed as limited to the particular shapes of elements (e.g., regions, layers, sections, substrates, etc.) illustrated and described herein but are to include deviations in shapes that result, for example, from manufacturing. By way of example, an element illustrated or described as a rectangle may have rounded or curved features and/or a gradient concentration at its edges rather than a discrete change from one element to another. Thus, the elements illustrated in the drawings are schematic in nature and their shapes may not be intended to illustrate the precise shape of an element and are not intended to limit the scope of the present invention.

It will be understood that when an element such as a region, layer, section, substrate, or the like, is referred to as being “on” another element, it can be directly on the other element or intervening elements may also be present. In contrast, when an element is referred to as being “directly on” another element, there are no intervening elements present. It will be further understood that when an element is referred to as being “formed” on another element, it can be grown, deposited, etched, attached, connected, coupled, or otherwise prepared or fabricated on the other element or an intervening element.

Furthermore, relative terms, such as “lower” or “bottom” and “upper” or “top,” may be used herein to describe one element’s relationship to another element as illustrated in the

4

drawings. It will be understood that relative terms are intended to encompass different orientations of an apparatus in addition to the orientation depicted in the Drawings. By way of example, if an apparatus in the Drawings is turned over, elements described as being on the “lower” side of other elements would then be oriented on the “upper” sides of the other elements. The term “lower”, can therefore, encompass both an orientation of “lower” and “upper,” depending of the particular orientation of the apparatus. Similarly, if an apparatus in the drawing is turned over, elements described as “below” or “beneath” other elements would then be oriented “above” the other elements. The terms “below” or “beneath” can, therefore, encompass both an orientation of above and below.

Unless otherwise defined, all terms (including technical and scientific terms) used herein have the same meaning as commonly understood by one of ordinary skill in the art to which this invention belongs. It will be further understood that terms, such as those defined in commonly used dictionaries, should be interpreted as having a meaning that is consistent with their meaning in the context of the relevant art and this disclosure.

As used herein, the singular forms “a”, “an” and “the” are intended to include the plural forms as well, unless the context clearly indicates otherwise. It will be further understood that the terms “comprises” and/or “comprising,” when used in this specification, specify the presence of stated features, integers, steps, operations, elements, and/or components, but do not preclude the presence or addition of one or more other features, integers, steps, operations, elements, components, and/or groups thereof. The term “and/or” includes any and all combinations of one or more of the associated listed items.

It will be understood that although the terms “first” and “second” may be used herein to describe various regions, layers and/or sections, these regions, layers and/or sections should not be limited by these terms. These terms are only used to distinguish one region, layer or section from another region, layer or section. Thus, a first region, layer or section discussed below could be termed a second region, layer or section, and similarly, a second region, layer or section may be termed a first region, layer or section without departing from the teachings of the present invention.

FIG. 1 shows an exemplary side light LED troffer tube **100** that provides controllable distribution of emitted light intensity. For example, the troffer tube **100** can be configured to provide uniform light intensity across the surface of the tube **100**. The tube **100** comprises optics tube **102**, end mounted LEDs **104** and **106**, and integrated power/thermal management modules **108**. It should be note that aspects of gradient optics described herein are suitable for use with virtually any type of lighting device and are not limited to only implementations of a troffer tube. Thus, the descriptions of the troffer tube herein provide exemplary implementations but are not intended to limit the various aspects to only those implementations.

The optics tube **102** comprises a tube having first and second ends. Each end is configured to have a light receiving portion that receives light to be emitted from the tube **102**. In one implementation, the light receiving portion is configured to receive light from an LED light source.

The tube **102** comprises an upper portion with an interior surface **110** and an exterior surface **112**. The tube **102** also comprises a lower portion with an interior surface **114** and an exterior surface **116**. In various implementations, one or both of the surfaces **110**, **112** of the upper portion are reflective so as to reflect light emitted from the LED light

sources **104**, **106** back into the tube **102**. Furthermore, one or both of the surfaces **114**, **116** of the lower portion comprise gradient optics that operate to control the intensity of light emitted from the tube **102**. For example, light emitted from the LED sources **104**, **106** strikes the reflective interior surface **110** and is reflected toward the gradient optics provided at the surface **114**. The gradient optics provides a transparency gradient, shown generally at **118**, to control the intensity of the light emitted from the tube **102**. In one implementation, the gradient optics are configured to provide uniform light intensity from the tube **102**, as indicated at **132**. In other implementations, the gradient optics are configured to provide controllable emitted light intensity variations across the surface of the tube **102**.

It should also be noted that although the optic tube **102** comprises a round shape; the optics tube **102** can be configured to have a shape selected from a set of shapes comprising circular, oval, elliptical, parabolic, and multi-sided shapes. Thus, it is possible for the optic tube **102** to have a cross section forming any type of shape and to have any desired length. For example, the length may be selected to provide a troffer tube that is compatible (i.e., replaceable) with standard florescent tubes, such as standard T8 or T12 fluorescent tubes.

An integrated power/thermal management module **108** is coupled at each end of the tube **102** and is designed to provide power and thermal management to the LED light sources **104**, **106**. To facilitate installation in a troffer housing, the integrated power/thermal management modules **108** comprise connectors **120** that includes electrical contacts designed to mate with conventional troffer sockets. For example, the connector **120** is configured to connect to standard troffer sockets typically used for fluorescent lighting tubes. The connector **120** can be orientated in any fashion so that when the tube **102** is installed and connected in a troffer housing, the surfaces **110** and **112** are above the surfaces **114** and **116** so that emitted light is directed and distributed downward. However, in other implementations, the connector **120** can be orientated in any position relative to the surfaces **110**, **112** and **114**, **116**.

Thus, the overall length of the LED troffer tube **100** is configured so that it can be an equivalent or replacement for standard fluorescent light tubes. It should be noted that in various implementations, the LED troffer tube **100** may be configured to have any desired dimension, shape, and/or length.

The gradient optics is provided at one or both of the surfaces **114** and **116**. In various implementations, the gradient optics operates to control the intensity of light emitted across the surface of the tube **102**. For example, in one implementation, the gradient optics provides a transparency gradient that results in less transparency towards the ends of the optics tube **102** and more transparency toward the centerline **122** of the optics tube **102**, resulting in even distribution of emitted light intensity across the surface of the tube **102**.

Transparency graph **118** illustrates how the gradient optics at the surfaces **114**, **116** of the optics tube **102** are designed to provide the transparency gradient. For example, at regions **124** and **126** located near the ends of the optics tube **102**, the transparency of the optics tube **102** is reduced. At region **128**, near the center of the optics tube **102**, the transparency is increased. Thus, the gradient optics are configured to allow more light to pass through the center of the optics tube **102** than at its ends to provide for uniform emitted light intensity across the surface of the optics tube **102**.

To further illustrate the operation of the troffer tube **100** to provide configurable light intensity along its length, a cross section indicator **130** indicates a cross sectional of the tube **100** that is discussed in further detail below. It should be noted that although the gradient optics can be configured in a variety of ways to control the emitted light intensity from the tube **100**; for the purpose of this description, the gradient optics have been configured to provide uniform light intensity across the surface of the tube **100**. However, in other implementations, the gradient optics can be configured to provide any desirable light intensity distribution pattern.

FIG. 2 shows a cross-sectional view **200** of the side light LED troffer tube **100** shown of FIG. 1. For example, the view **200** is taken at cross section indicator **130**. The optics tube **102** comprises an upper portion **202** and a lower portion **204**. The upper portion **202** comprises the interior surface **110** and exterior surface **112**. The lower portion **204** comprises the interior surface **114** and exterior surface **116**. In various implementations, gradient optics are formed or disposed on one or both of the interior surface **114** and exterior surface **116**. For example, gradient optics provided lengthwise along the tube **102** are shown in the cross-sectional view **200** as the regions **206**, **208**, **210**, **212**, and **214**. Light emitted from the LED source **104** reflects off the reflective surface **110** and passes through the gradient optics disposed at the surface **114**. As a result, the intensity of light emitted across the surface of the tube **100** can be controlled.

In one embodiment, the optics tube **102** is made from glass, acrylic or plastic material and the gradient optics disposed on the surface **114** and/or **116** can be formed in any of several ways to provide a desired transparency gradient. For example, the transparency gradient provided by the gradient optics formed on the surface **114** and/or **116** may be obtained using material thickness variation, material variation, thin film applications, material density variations, material layering, surface texturing and/or surface defects. Furthermore, the optics tube **102** may comprise any desired cross sectional shape to facilitate the desired light distribution pattern.

FIG. 3 shows exemplary implementations **300** of gradient optics formed or disposed on the surface **114** and/or the surface **116** of the optics tube **102**. For example, in any of the exemplary implementations **300** the gradient optics may be provided on one or both surfaces as discussed below.

In a first exemplary implementation **302**, the gradient optics **306** are formed on the interior surface **114** of the optics tube **102**. The gradient optics **306** comprise sections of material having varying material thicknesses (indicated at **308**) to produce the transparency gradient. For example, the gradient optics **306** comprises one or more sections of material to provide more thickness at the ends of the optics tube **102** than in the center region. Thus, the thickness of the material provides gradient optics **306** having decreased transparency with increasing distance from the center line **304**. The increasing material thickness provides the transparency gradient illustrated at **324**.

It should be noted that although shown as increasing material thickness, the gradient optics **306** may comprise material of varying densities which do not change the overall material thickness but accomplish the same transparency result. In another implementation, material variations are used to provide the transparency gradient. The material variations comprise different types of material that are layered as illustrated at **308** to provide the desired transparency gradient. Thus, the gradient optics **306** can be

provided by any combination of material thickness, material variation, material layering, and/or material density.

In a second exemplary implementation **310**, the gradient optics **312** are formed on the interior surface **114** of the optics tube **102**. The gradient optics **312** comprise a surface coating that provides the transparency gradient illustrated at **324**. The surface coating may be formed using a variety of techniques. For example, the surface coating may be a diffuser film applied to the tube or a polymer material that is painted onto the tube. The surface coating is designed to provide more transparency near the center line **304**, as illustrated by the light region **314**, and less transparency as the distance from the center line increases, as illustrated by the dark region **316**. The different transparency regions of the surface coating provide the transparency gradient illustrated at **324**. In another implementation, the gradient optics **312** comprises sections of different materials, where each material provides a different transparency to achieve the transparency gradient **324**.

In a third exemplary implementation **318**, the gradient optics **320** are formed on the interior surface **114** of the optics tube **102**. The gradient optics **320** comprise surface texturing that provides one or more surface features **322**. The surface features **322** may be ridges, bumps or other surface features that are arranged in any desired pattern and/or spacing to provide the transparency gradient illustrated at **324**. For example, in one implementation, the surface features **322** comprise ribs that are gradually less concentrated near the center line **304** to provide for decreased transparency as the distance from the center line **304** increases.

In a fourth exemplary implementation **326**, the gradient optics **328** are formed on the interior surface **114** of the optics tube **102**. The gradient optics **328** comprise surface texturing that provides one or more surface defects, as illustrated at **330**. The surface defects **330** comprise scratched or sanded regions or other defects in the interior surface **114** which affect light distribution. The surface defects are arranged in any desired pattern and/or spacing to provide the transparency gradient illustrated at **324**. For example, more surface defects are provided near the center line **304** to increase transparency. Less surface defects are provided as the distance from the center line **304** increases to decrease transparency.

In a fifth exemplary implementation **332**, the gradient optics **334** and **336** are formed on the interior surface **114** and the exterior surface **116** of the optics tube **102**. The gradient optics **334** comprise a surface coating that provides the transparency gradient illustrated at **324**. The surface coating may be formed using a variety of techniques. For example, the surface coating may be a diffuser film applied to the acrylic or a polymer material that is painted onto the acrylic. The surface coating is designed to provide more transparency near the center line **304** and less transparency as the distance from the center line increases.

The gradient optics **336** comprise surface texturing that provides one or more surface defects. The surface defects comprise scratched or sanded regions or other defects in the exterior surface **116** which affect light distribution. The surface defects are arranged in any desired pattern and/or spacing to provide the transparency gradient illustrated at **324**. For example, more surface defects are provided near the center line **304** to increase transparency. Less surface defects are provided as the distance from the center line **304** increases to decrease transparency. Thus, the fifth implementation **332** illustrates how gradient optics can be formed

on both the interior surface **114** and the exterior surface **116** to provide the transparency gradient illustrated at **324**.

It should be noted that although five exemplary implementations of gradient optics are shown, other implementations of gradient optics may be formed on the optic tube **102** to provide the transparency gradient **324**. Furthermore, implementations of the gradient optics can be configured to provide transparency gradients that are different from the transparency gradient **324**. For example, the gradient optics can be configured to provide any desirable transparency gradient to control the light intensity emitted along the length of the tube **100**. Thus, the gradient optics may be formed individually or formed in any combination on the interior and/or exterior surface of the optic tube to produce the transparency gradient **324** or other desired transparency gradients.

Gradient Optics Performance

In various implementations, the gradient optics provides a transparency gradient that operates to control the light intensity emitted from the LED troffer tube. For example, the transparency gradient can be configured to provide uniformly distributed light intensity emitted from the LED troffer tube. The gradient optics may be formed and/or disposed on the troffer tube using one or more of the implementations discussed with respect to FIG. 3 to achieve a light output having a desired light intensity distribution.

Thus, in one implementation of the gradient optics, the variation in light intensity emitted from the optics tube is configured to vary by substantially 100 percent. In this implementation, the gradient optics are configured to provide at least one surface region where substantially no light is emitted from the optics tube, and at least one other surface region where a maximum amount of light is emitted from the optics tube. This configuration results in substantially a 100 percent variation in the intensity of emitted light.

In other implementations of the gradient optics, the variation in light intensity emitted from the optics tube is configured to vary by any amount less than 100 percent. For example, the gradient optics can be configured to provide any desired variation in light intensities across the surface regions of the optics tube to achieve a desired emission or corresponding illumination pattern.

FIG. 4 illustrates an exemplary implementation of a tube **400** comprising gradient optics. The tube **400** comprises a lower tube portion **402** coupled to an integrated power and thermal management module **414**.

The integrated power and thermal management module **414** comprises an LED **416** that emits light along the length of the tube **400** as indicated by the dashed lines. The module **414** provides power to the LED **416** and regulates the dissipation of heat generated by the LED **416**. Also illustrated is LED **418**, which emits light along the length of the troffer **400** from the end opposite of the LED **416**, as indicated by the dashed lines. For clarity, a corresponding integrated power and thermal management module associated with the LED **418** is not shown.

The lower tube portion **402** comprises gradient optics formed on an interior surface. In this example, the gradient optics are formed using a thin film application onto the interior surface. For example, the thin film application provides multiple gradient optic surface regions and each region provides a selected transparency. The tube **402** is divided into crosswise sections that extend across the tube **102**, as illustrated at **404**, **406**, **408**, **410**, and **412**. The tube **402** is also divided into lengthwise sections that extend along the length of the tube, as illustrated at **420**, **422**, **424**, and **426**. The crosswise and lengthwise sections define

surfaces of the tube **402** having gradient optics that provide selected transparency gradients. For example, crosswise surface regions include **428**, **430**, **432** and **434** and lengthwise surface regions include **436**, **438**, **430**, **440**, and **442**. Each of the crosswise and lengthwise surface regions are configured with gradient optics to provide a corresponding transparency gradient that allows light emitted from the LEDs **416** and **418** to pass through the lower tube portion **402** with a selected intensity characteristic.

The transparency graph **444**, illustrates the transparency provided by the gradient optics at the surfaces of the lengthwise section **422**. For example, the surface regions **436** and **442** provide the least transparency, the surface regions **438** and **440** provide additional transparency and the surface region **430** provides the most transparency. The gradient optics provided at the regions **436**, **438**, **430**, **440** and **442** operate to control the intensity variation of light emitted across the identified surfaces of the tube **402**.

The transparency graph **446**, illustrates the transparency provided by the gradient optics at the surfaces of the crosswise section **408**. For example, the surface regions **428** and **434** provide the least transparency and the surface regions **430** and **432** provide additional transparency. The gradient optics provided by the surface regions **428**, **430**, **432**, and **434** operates to control the intensity variation of light emitted across the identified surfaces of the tube **402**.

It should be noted that gradient optics can be provided on any number of surface regions to create any desired transparency characteristics across the surface of the tube. Thus, the tube **402** is configured with crosswise and lengthwise surfaces having respective gradient optics formed on one or both of the interior and exterior surfaces of the tube. The gradient optics provide a transparency gradient provided at each surface region is configured to distribute light to achieve a selected emitted light intensity variation across the surface of the tube.

FIG. **5** shows an exemplary integrated power and thermal management module **500**. For example, the module **500** is suitable for use as the module **108** shown in FIG. **1**. The module **500** comprises a connector **502**, power supply **504**, LED **506**, and thermal management circuit **508**.

The connector **502** is configured to provide a mechanical and electrical coupling to a socket in a troffer housing. For example, the connector **502** is configured to connect to a standard fluorescent light tube connector in a troffer housing and carry electric signals comprising power and/or control signals to the power supply **504**.

The power supply **504** is configured to receive the input electrical signals and generate a power signal to the LED **506**. The power supply **504** may convert, amplify, attenuate or perform other functions to the input electrical signals to produce the power signal that is provided to the LED **506**.

The LED **506** comprises any suitable LED for use in a troffer tube. The thermal management circuit **508** operates to receive thermal indicators associated with the operation of the LED **506** and provide control signals to the power supply **504** to adjust the power signal provided to the LED **506**. The thermal management circuit **506** may also provide a heat sink to allow dissipation of heat from the LED **506**. Thus, the thermal management circuit **508** operates to receive a thermal feedback indicator and adjust and manage the power supply **504** to control the temperature of the LED **506**.

It should be noted that the integrated power and thermal management module **500** illustrates just one implementation and that other implementations that combine or redistribute the described functions are possible.

FIG. **6** shows an exemplary troffer housing **600** suitable for use with the side light LED troffer tube **100** shown in FIG. **1**. The troffer housing **600** comprises a housing **602** that is illustrated in side **604**, bottom **606** and end **608** views. For example, the housing may be a 2'x6' housing typically used for fluorescent lighting.

Referring to the bottom view **606**, the housing **602** comprises an internal reflective surface **610** which is designed to reflected light to the bottom portion of the housing. Referring to the end view **608**, the reflective surface **610** is more clearly shown.

The housing **602** comprises two sockets **612** mounted therein. The sockets **612** are spaced apart from each other and configured to mate with the connectors **120** of the side light LED troffer tube **100**. Thus, the side light LED troffer tube can be mechanically and electrically coupled to the apparatus **600** to produce evenly distributed light from end mounted LEDs.

FIG. **7** shows an exemplary troffer assembly **700** comprising the troffer housing **600** of FIG. **6** and the side light LED troffer tube **100** of FIG. **1**. For example, the troffer assembly **700** is suitable for use as an internal lighting device, such as a ceiling light. In the troffer assembly **700**, the side light LED troffer tube **100** is coupled to the connectors **612** at the bottom portion of the housing **602**. It should be noted that the side light LED troffer tube **100** provides a transparency gradient configured to provide for even light distribution.

During operation, light is emitted from the side light LED troffer tube **100** in an intensity distribution pattern as indicated at **702**. For example, light is emitted from the end mounted LEDs within the troffer tube and passes through a transparency gradient provided by the gradient optics of the troffer tube to result in the intensity distribution having substantially no intensity variation, as illustrated at **702**. Thus, the troffer assembly **700** operates to provide evenly distributed light from a side light LED troffer tube having an associated transparency gradient.

FIG. **8** illustrates how a linear side light LED troffer tube can be configured in a non-linear configuration. For example, it is possible to reconfigure the side light LED troffer tube **100** into the non-linear tube **802**. For example, sections of the linear tube **100** are shown in their new location at the non-linear tube **802**. For instance, the section **804** is relocated to section **806** of the non-linear tube **802**. The LEDs **104** and **106** are relocated to the LEDs **808** and **810**. In the non-linear configuration **802**, the LEDs **808** and **810** are positioned back-to-back and emit light into the tube **802** in different directions.

Thus, it is possible to produce various non-linear implementations of the linear side light LED troffer tube **100**. Because FIG. **8** shows a top view of the non-linear tube **802**, the transparency gradient is facing down or into the page. Additional description of the non-linear tube **802** and associated transparency gradient is provided below.

FIG. **9** shows an exemplary perspective view of the non-linear tube **802**. As discussed above, the non-linear tube **802** comprises LEDs **808** and **810** mounted back-to-back and emitting light into the tube **802** in different directions. In various implementations, the LEDs **808** and **810** may be powered through electrical connections (not shown) or inductively.

The non-linear tube **802** comprises a top portion **902** and a bottom portion **904**. The top portion **902** includes a reflective interior surface configured to reflect light back toward the bottom portion **904**. The bottom portion **904** includes gradient optics (internally, externally or both) that

11

provide a transparency gradient as discussed above. The transparency gradient operates to control how the intensity of the light emitted from the LEDs **808** and **810** is distributed. In one implementation, the transparency gradient operates to provide evenly distributed light intensity, as indicated at **906**. Although the tube **802** is configured in a circular configuration, other non-linear configurations are possible.

FIG. **10** shows an exemplary side light assembly **1000**. The side light assembly **1000** comprises an emitter portion **1002** and a gradient optics portion **1004**. The emitter portion **1002** comprises electrical connector **1006**, power and thermal management module **1008**, and LED **1010**. The gradient optics portion **1004** comprises a tube **1012** having an upper portion with a reflective surface **1014** and a lower portion with gradient optics **1016**. The gradient optics **1016** are designed to provide a transparency gradient to control how the distribution of light intensity emitted from the tube. It should be noted that the tube **1012** may have any cross-sectional shape, such as circular, parabolic, elliptical, triangular, or other multisided shape.

In various implementations, the assembly **1000** can be arranged and configured to provide a variety of lighting devices. For example, the assembly **1000** can be curved into various shapes and include multiple emitter portions **1002** or a reflective end cap. In other implementations, two or more of the assemblies **1000** can be combined to form more complex lighting devices. Several exemplary lighting devices that can be formed from the assembly **1000** are discussed below.

FIG. **11** shows top views of exemplary lighting devices formed from the side light assembly **1000** shown in FIG. **10**. For example, each of the lighting devices is formed from one or more configurations of the assembly **1000**. Each device comprises gradient optics that provides a transparency gradient to distribute the light emitted from one or more LEDs to achieve a selected intensity variation along the length of the device. Since FIG. **11** shows top views, it will be assumed that the distributed light is being emitted into the page.

A first exemplary light device **1102** is formed by curving a selected length of the gradient portion **1004** of the assembly **1000** to form the gradient portion **1108** and adding a reflective end cap **1104**. The reflective end cap **1104** comprises any suitable reflective material to reflect light back into the device **1102**. An emitter portion **1106** emits light into the gradient portion **1108**. The gradient portion **1108** comprises gradient optics that provides a transparency gradient to distribute the light to achieve a selected emitted light intensity variation across the surface of the device **1102**. For example, the gradient portion **1108** provides the transparency gradient **1110**. The transparency gradient **1110** indicates less transparency near the emitter **1106** (E) and greater transparency near the end cap (C).

A second light device **1112** is formed by curving a selected length of the gradient portion **1004** of the assembly **1000** to form the gradient portion **1118**. Two emitter portions **1114** and **1116** emit light into the gradient portion **1118**. The gradient portion **1118** comprises gradient optics that provides a transparency gradient to distribute the light to achieve a selected emitted light intensity variation across the surface of the device **1112**. For example, the gradient portion **1118** provides the transparency gradient **1120**. The transparency gradient **1120** indicates less transparency near the emitters (E) and greater transparency near the midpoint (M).

A third light device **1122** is formed by combining two of the assembly **1000** and curving their associated gradient portions **1004** to form two gradient portions **1124** and **1126**

12

that include end caps **1134** and **1136**. Two emitter portions **1128** and **1130** are provided to emit light into the gradient portions **1124** and **1126**. The gradient portions **1124** and **1126** comprise gradient optics that provides a transparency gradient to distribute the light to achieve a selected emitted light intensity variation across the surface of the device **1122**. For example, the gradient portions **1124** and **1126** provide the transparency gradient **1132**. The transparency gradient **1132** indicates less transparency near the emitters (E) and greater transparency near the end caps (C).

A fourth light device **1138** is formed by curving a selected length of the gradient portion **1004** of the assembly **1000** to form a gradient portion **1140**. Two emitter portions **1142** and **1144** emit light into the gradient portion **1140**. The gradient portion **1140** comprises gradient optics that provides a transparency gradient to distribute the light to achieve a selected emitted light intensity variation across the surface of the device **1138**. For example, the gradient portion **1140** provides the transparency gradient **1146**. The transparency gradient **1146** indicates less transparency near the emitters (E) and greater transparency near the mid point (M).

A fifth light device **1148** is formed by combining two of the assembly **1000** and curving their associated gradient portions **1004** to form two gradient portions **1150** and **1152** that include end caps **1154** and **1156**. Two emitter portions **1158** and **1160** are provided to emit light into the gradient portions **1150** and **1152**. The gradient portions **1150** and **1152** comprise gradient optics that provides a transparency gradient to distribute the light to achieve a selected emitted light intensity variation across the surface of the device **1148**. For example, the gradient portions **1150** and **1152** provide the transparency gradient **1162**. The transparency gradient **1162** indicates less transparency near the emitters (E) and greater transparency near the end caps (C).

It should be noted that although the various aspects have been described herein with respect to a troffer tube, they are equally applicable to other types of lighting devices. For example, other types of lighting devices, such as light bulbs, luminaires, automotive lighting, interior and exterior lighting can be configured with gradient optics to provide controllable emitted light intensity variation across the surface of the particular lighting device. Thus, the gradient optics can be incorporated into virtually any type of lighting device to achieve a desired light emission and/or illumination pattern.

The various aspects of this disclosure are provided to enable one of ordinary skill in the art to practice the present invention. Various modifications to aspects presented throughout this disclosure will be readily apparent to those skilled in the art, and the concepts disclosed herein may be extended to other applications. Thus, the claims are not intended to be limited to the various aspects of this disclosure, but are to be accorded the full scope consistent with the language of the claims. All structural and functional equivalents to the elements of the various aspects described throughout this disclosure that are known or later come to be known to those of ordinary skill in the art are expressly incorporated herein by reference and are intended to be encompassed by the claims.

Moreover, nothing disclosed herein is intended to be dedicated to the public regardless of whether such disclosure is explicitly recited in the claims. No claim element is to be construed under the provisions of 35 U.S.C. § 112, sixth paragraph, unless the element is expressly recited using the phrase “means for” or, in the case of a method claim, the element is recited using the phrase “step for.”

Accordingly, while aspects of a side light LED tube with associated transparency gradient have been illustrated and

13

described herein, it will be appreciated that various changes can be made to the aspects without departing from their spirit or essential characteristics. Therefore, the disclosures and descriptions herein are intended to be illustrative, but not limiting, of the scope of the invention, which is set forth in the following claims.

What is claimed is:

1. A light emitting diode (“LED”) apparatus comprising: a housing having a first end and a second end that opposes the first end; a light emitting source disposed at a first end of the housing; a reflector disposed in the housing and extending from the first end of the housing towards the second end of the housing; and a gradient optics coupled to the reflector and also extending from the first end of the housing towards the second end of the housing, wherein the gradient optics comprises a varying transparency that progressively increases as the gradient optics extends from the first end of the housing so that light emitted from the light emitting source appears to be substantially uniform when the light reflects off the reflector.
2. The LED apparatus according to claim 1, wherein the varying transparency of the gradient optics progressively increases as the gradient optics extends towards a center of the housing.
3. The LED apparatus according to claim 1, wherein the gradient optics comprises a plurality of gradient optic regions having varying transparencies.
4. The LED apparatus according to claim 3, wherein the plurality of gradient optic regions are configured to distribute the light so that emitted light intensity is substantially the same along an entirety of the housing.
5. The LED apparatus according to claim 3, wherein the gradient optics comprises at least one surface onto which the plurality of gradient optic regions are formed, and wherein the at least one surface comprises an interior surface and an exterior surface and the plurality of gradient optic regions are formed on at least one of the interior surface and the exterior surface.
6. The LED apparatus according to claim 3, wherein the plurality of gradient optic regions decrease in thickness along the housing to provide the increasing transparency.
7. The LED apparatus according to claim 1, wherein the reflector comprises at least one reflective surface that reflects light toward the gradient optics.
8. The LED apparatus according to claim 1, wherein the housing comprises at least one cross-sectional shape selected from a set of shapes comprising circular, oval, elliptical, parabolic, tubular and multisided shapes.
9. The LED apparatus according to claim 1, wherein the housing comprises a troffer tube housing.
10. The LED apparatus according to claim 1, further comprising integrated power and thermal management cir-

14

cuitry coupled to the light emitting source and including a connector configured to mate with a troffer socket.

11. A light emitting diode (“LED”) apparatus comprising: a troffer housing; a light emitting source disposed at a first end of the troffer housing; a reflective surface disposed in the troffer housing and extending from the first end of the troffer housing towards a second end of the troffer housing that is opposite the first end; and a gradient optical lens disposed over the reflective surface and also extending from the first end of the troffer housing towards the second end of the troffer housing, wherein the gradient optical lens comprises a varying transparency that progressively increases as the gradient optical lens extends from the first end of the troffer housing so that light emitted from the light emitting source appears to be substantially uniform when the light reflects from the reflector reflective surface.
12. The LED apparatus according to claim 11, wherein the varying transparency of the gradient optical lens progressively increases as the gradient optical lens extends towards a center of the troffer housing.
13. The LED apparatus according to claim 11, wherein the gradient optical lens comprises a plurality of gradient optic regions having varying transparencies.
14. The LED apparatus according to claim 13, wherein the plurality of gradient optic regions are configured to distribute the light so that emitted light intensity is substantially the same along an entirety of the troffer housing.
15. The LED apparatus according to claim 13, wherein the gradient optical lens comprises at least one surface onto which the plurality of gradient optic regions are formed.
16. The LED apparatus according to claim 15, wherein the at least one surface comprises an interior surface and an exterior surface and the plurality of gradient optic regions are formed on at least one of the interior surface and the exterior surface.
17. The LED apparatus according to claim 13, wherein the plurality of gradient optic regions decrease in thickness along the troffer housing to provide the increasing transparency.
18. The LED apparatus according to claim 11, wherein the reflective surface surfaced is a reflector that reflects light toward the gradient optical lens.
19. The LED apparatus according to claim 11, wherein the troffer housing is a tubular housing that comprises at least one cross-sectional shape selected from a set of shapes comprising circular, oval, elliptical, parabolic, and multi-sided shapes.
20. The LED apparatus according to claim 11, further comprising integrated power and thermal management circuitry coupled to the light emitting source and including a connector configured to mate with a troffer socket.

* * * * *