



Bridgelux® Vesta-W Quad Channel 40W (Wiz) Brick Driver

Product Data Sheet DS1232

Product Feature Map

Bridgelux Vesta-W4 (Wiz) Quad Channel 40W CV24V Driver provides dynamic constant current output for LED modules and arrays. This Driver interoperates with Wiz control lighting systems and protocols and allows for simple integration of Bridgelux's RGBW and 3CCT White Arrays and Linear modules. Please visit www.bridgelux.com for more information.



Product Nomenclature

The part number designation for Bridgelux Vesta-W (Wiz) Quad Channel 40W Driver is explained as follows:

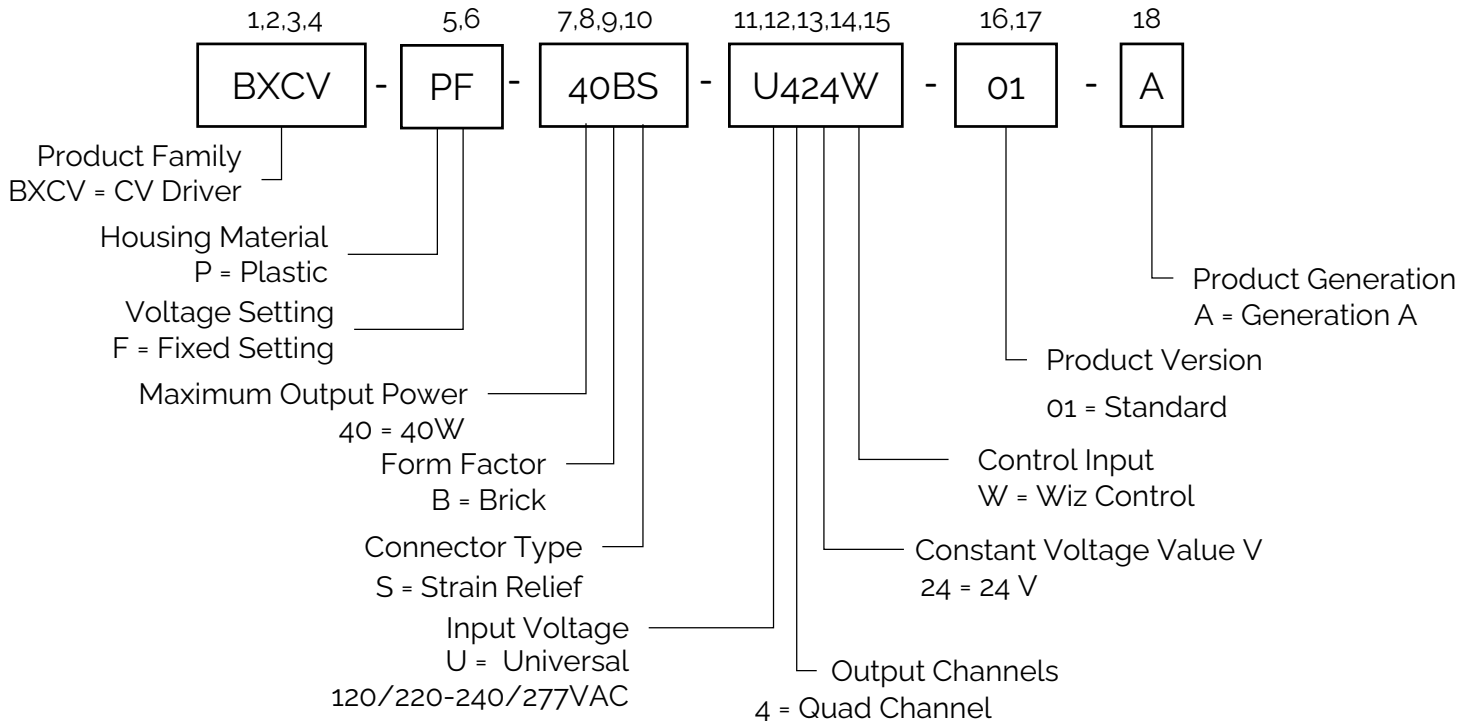
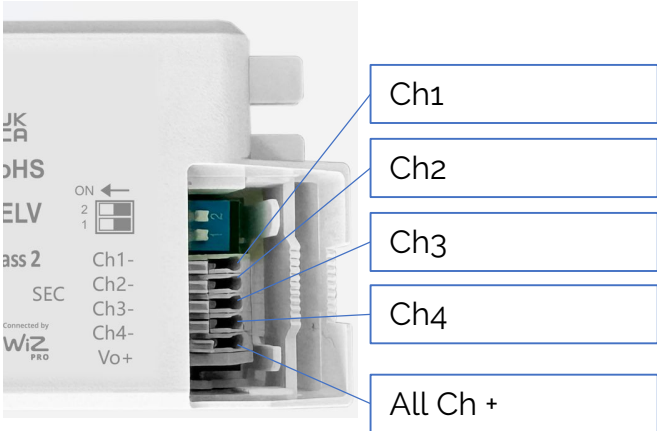


Table 1: **Product Selection Guide**

Part Number	Configuration
BXCVCV-PF-40BS-U424W-01-A	Brick with Strain Relief, US 120/277VAC

Wiring and setup instructions



Bridgelux Vesta-W4 driver can power up various Bridgelux 4 Channels LEDs (RGBW series). Below table provides some examples of the driver channel mapping to different LEDs channels (further instructions please contacts Bridgelux).

Driver Channel	LED Channel		
	SMD RGBW (CRI 95)	SMD 3CCT (CRI 90)	SMD 3CCT (CRI 97)
1	Red	1	1
2	Green	1	2
3	Blue	2	3
4	White	3	3

Similar to hardware wiring (different configurations) , Bridgelux Vesta-W4 driver comes with different firmware for various LEDs control parameters.

After driver setup in Wiz Pro apps, user can find the corresponding Wiz Model IDs.

Wiz Pro Model IDs		
SMD RGBW (CRI 95)	SMD 3CCT (CRI 90)	SMD 3CCT (CRI 97)
124012	TBD	TBD

User should inform Bridgelux which Wiz pro Model ID is needed (when ordering); the correct firmware can be loaded prior for product shipment.

Please note: if needed, Bridgelux Vesta-W4 driver can change from one Model ID to another; different Model ID firmware can be loaded OTA via the Wiz app.

User just need to report the driver MAC address (the unique QR code sticker at the side of each driver)

Ordering example:

PN: BXCW-PF-40BS-U424W-01-A (Remarks: Model ID: 124012)

Electrical Characteristics

Table 2: Input Electrical Characteristics

Parameter	Unit	Specification
Nominal voltage	V	220 – 240
Nominal frequency	Hz	50 / 60
AC voltage range	V	108 – 305
DC voltage range	V	NA
Nominal current	A	0.3
Power factor (Full load)	-	≥ 0.95
THD (Full load)	%	≤ 10
Efficiency (Full load)	%	≥ 88
NO load	W	≤ 0.5
Protection class	-	I, II

Table 3: Output Electrical Characteristics

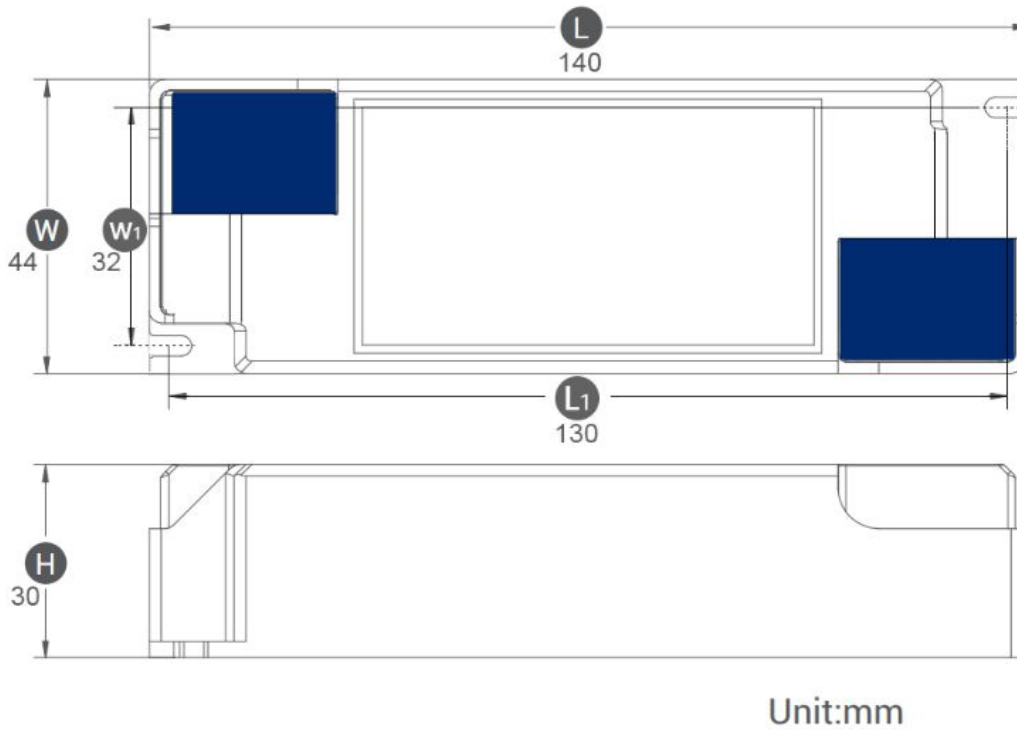
Parameter	Unit	Specification
Nominal voltage range	V	24V (Fixed)
Nominal current range	mA	1650 mA (4 channel total)
Voltage accuracy	V	+/- 0.5
Dimming		Wiz Pro (Wireless)
Dimming Range		10% - 100%
Current ripple LF < 3KHz	%	≤ 10
Pst LM	-	≤ 1
SVM	-	≤ 0.4
Maximum power	W	40
Isolation	-	SELV

Mechanical Characteristics

Table 4: Product Mechanical data

Characteristics	Specification
Dimensions	140.0mm (L) x 44.0 mm (W) x 30.0 mm (H)
Enclosure Materials	PC Plastic
Weight	98 g
Ingress Protection	IP20

Figure 6: Mechanical Drawing



Notes for Figure 6:

1. Drawing dimensions are in millimeters
2. Unless otherwise specified, all linear tolerances are +/-1.0mm

Wiring & Connections

Table 6: *Wiring*

	Specification item	Value
PRI	Cable cross-section	0.75 – 1.5 mm ² / AWG 16 - 18
	Stripping	8.5 – 9.5 mm
SEC	Cable cross-section	0.2 – 0.5 mm ² / AWG 24 - 20
	Stripping	8.5 – 9.5 mm
	Max. wire length	0.3 m

Notes for Table 6:

1. Unless otherwise specified, all linear tolerances are +/-1.0mm

Environmental and Regulatory Standards

Table 7: Environmental Conditions

Parameter	Specification
Ambient Operating Temperature	-20°C to + 50°C
Max. Case Temperature Tc	+80°C (max)
Humidity Rating	Maximum 90% Relative Humidity, non condensing
Storage Temperature	-40°C to + 80°C
Expected Lifetime	> 50,000 hours (Tc < 80°C)

Table 8: Regulatory Approvals and Compliance

Specification	Reference Standard	Condition
DC or AC supplied electronic controlgear for LED modules	EN 62384:2006/A1:2009	electronic controlgear for use on DC or AC supplies up to 1 000 V (alternating current at 50 Hz or 60 Hz) and with an output frequency which can deviate from the supply frequency
Conducted and Radiated EMI	EN 55015:2019+A1:2020 (CISPR 15:2018) FCC Title 47 Part 15B	Class B at 120VAC, Class A at 277VAC
Harmonic Current Emissions	EN IEC 61000-3-2:2014	
Voltage Fluctuations & Flicker	IEC 61000-3-3:2013	
ESD (Electrostatic Discharge)	IEC 61547:2009 Section 5.2 Test des.: IEC 61000-4-2	4 kV contact discharge, 8 kV air discharge, level 3
Continuous Radiated Disturbance	IEC 61547:2009 Section 5.3 Test des.: IEC 61000-4-3	3 V/m, 80 - 1000 MHz, 80% modulated at distance of 3 meters
Electrical Fast Transient	IEC 61547:2009 Section 5.5 Test des.: IEC 61000-4-4	± 1 kV on AC power port for 1 minute,
Surge	IEC 61547 Section 5.7 Test des.: IEC 61000-4-5	± 1 kV (differential mode)
Continuous Conducted Disturbance	IEC 61547:2009 Section 5.6 Test des.: IEC 61000-4-6	3V, 0.15-80 MHz, 80% modulated, Level 2
Voltage Dips	IEC 61547 Section 5.8, 5.9 Test des.: IEC 61000-4-11	70% dip during 25 cycles @ 50Hz, 30 cycles @ 60Hz 0% dip during ½ cycles

Regulatory Standards (continued)

Table 9: Safety Agency Approvals

Specification	Reference Standard	Condition
CE / UKCA	EN 61347-1:2015, EN 61347-2-13:2014/A1:2017	

Table 10: Wireless Standards / Parameters

Specification	Reference Standard / Parameters	Condition
Work Mode	Wi-Fi: 802.11b/g BLE: Bluetooth 4.2	
RF Output Power	Wi-Fi: 20 dBm BLE: 8 dBm	
Work Frequency	Wi-Fi: 2.4 - 2.4835 GHz BLE: 2.4 - 2.4835 GHz	



Design Resources

Application Notes

Please contact your Bridgelux sales representative for assistance on obtaining application support when designing with the Bridgelux Vesta-W Quad Channel Driver. For a list of available resources, visit www.bridgelux.com.

Precautions

CAUTION: PRODUCT HANDLING

Handle the Vesta-W Quad Channel Driver with care to prevent any damage from mechanical shock. It is recommended to handle this driver in a static-free environment. To maintain product warranty, the product must not be opened or disassembled and the installer must ensure that the driver's operating conditions do not exceed the maximum conditions stated within this data sheet.

CAUTION: PRODUCT INSTALLATION

Incorrect installation of the Vesta-W Quad Channel Driver can cause irreparable damage to the driver, connected LEDs. Pay attention when connecting the LED load and observe the correct polarity of the output terminals as specified in this data sheet and on the driver label. Hot plug-in or secondary switching of LEDs is not permitted and may cause a very high current to the LEDs.

CAUTION: ELECTRIC SHOCK

Be aware of the possibility of an electric shock hazard which can result in serious injury or death. Disconnect power before servicing or installing this device.

Disclaimers

MINOR PRODUCT CHANGE POLICY

The rigorous qualification testing on products offered by Bridgelux provides performance assurance. Slight cosmetic changes that do not affect form, fit, or function may occur as Bridgelux continues product optimization.

About Bridgelux: Bridging Light and Life™

At Bridgelux, we help companies, industries and people experience the power and possibility of light. Since 2002, we've designed LED solutions that are high performing, energy efficient, cost effective and easy to integrate. Our focus is on light's impact on human behavior, delivering products that create better environments, experiences and returns—both experiential and financial. And our patented technology drives new platforms for commercial and industrial luminaires.

For more information about the company, please visit

bridgelux.com

twitter.com/Bridgelux

facebook.com/Bridgelux

youtube.com/user/Bridgelux

linkedin.com/company/bridgelux

WeChat ID: BridgeluxInChina



46410 Fremont Blvd

Fremont, CA 94538 USA

Tel (925) 583-8400

www.bridgelux.com