



# Bridgelux® Solderless Holder

Product Data Sheet DS1340-1





## Introduction

Bridgelux Solderless Holder Assemblies provide ultimate convenience for simple and reliable solderless connections to Bridgelux's LED Arrays.

Bridgelux Solderless Holder is a revolutionary light source system that integrates Bridgelux's V series COB technology with poke-in connectivity enabling solder-free installation. Bridgelux Solderless Holder and LED light sources streamline assembly processes, lower manufacturing cost, simplify luminaire design, improve light quality and increase design flexibility.

The harness system provides fast and solderless connections to V series LED arrays which greatly improves production throughput and minimizes possible connection related defect and damage.

### Features

- Vertical snap-to-mate connection
- Positive-lock latching feature
- Gold-plated contacts
- Halogen-free UL94V-0

### Benefits

- Minimizes handling of arrays during installation, greatly reducing the possibility of damage.
- Enables a fast, easy and reliable holder to the LED array
- Provides a slim design for space-limited applications. Minimizes risk of affecting light output
- Highly reliable, low contact resistance
- Meets RoHS requirements and is UL-flammability rated
- Provides design flexibility

# Contents

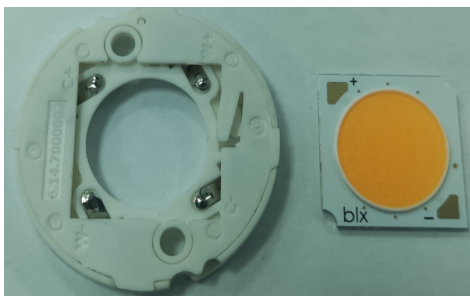
Product Feature Map	2
Product Nomenclature	2
Product Selection Guide	3
Mechanical Dimensions	4
Design Resources	10
Disclaimers	10
About Bridgelux	11

# Product Feature Map

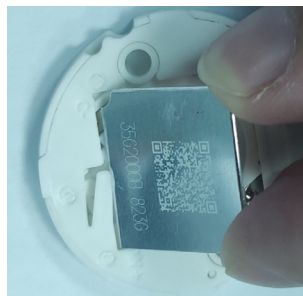
Bridgelux Solderless Holder is available for six different COB sizes—BXHD-1212, BXHD-1313, BXHD-1616, BXHD-1919, BXHD-2424 and BXHD-2828 includes several features to simplify the design integration and manufacturing process.



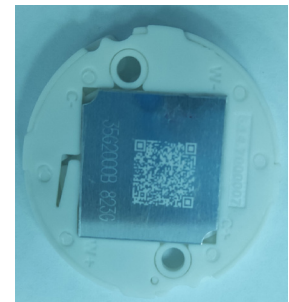
Easy Two-Step Assembly Process



Step 1. Check the positive contact.



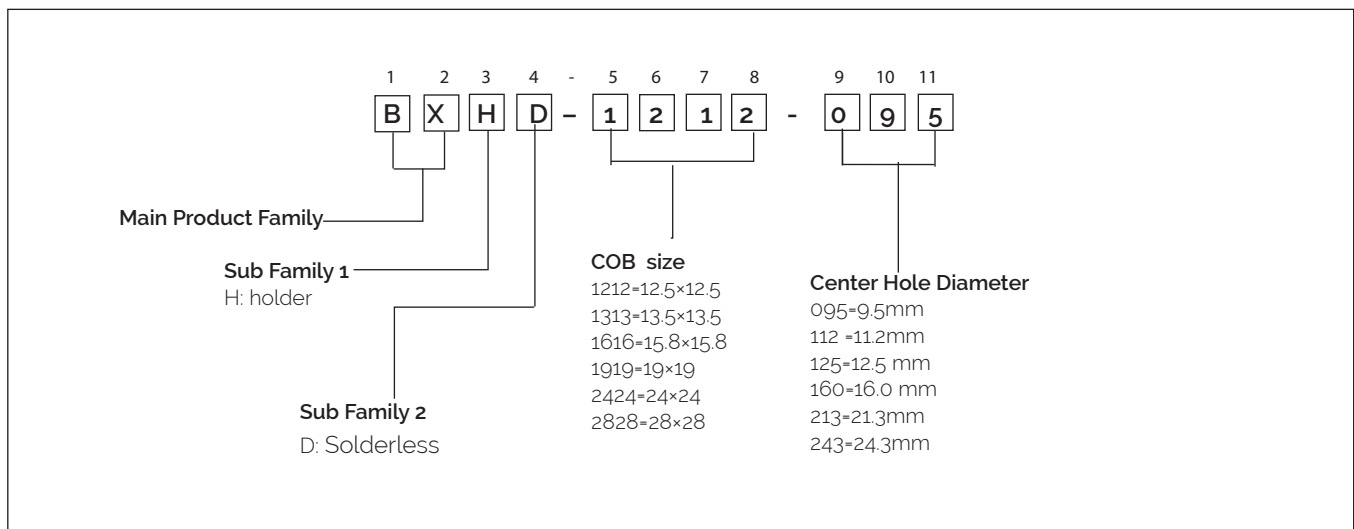
Step 2. Align the gap and push straight down to holder



Completed Array and holder (shown backside)

## Product Nomenclature

The part number designation for Bridgelux Solderless Holder Assemblies is explained as follows.



# Product Selection Guide

The following product configurations are available:

**Table 1:** Selection Guide

Bridgelux Part Number	Array Size (mm x mm)	Center Hole Diameter (mm)	Bridgelux arrays
BXHD-1212-095	12.5 x 12.5	9.5	V6,V8,V3HD,V4HD,Vesta TW6
BXHD-1313-112	13.5 x 13.5	11.2	V10,V6HD
BXHD-1616-125	15.8 x 15.8	12.5	Vesta TW9
BXHD-1919-160	19 x 19	16.0	V13,V9HD ,Vesta TW13
BXHD-2424-213	24 x 24	21.3	V18,Vesta TW18
BXHD-2828-243	28 x 28	24.3	V22,Vesta TW22

Notes for Table 1:

1. Additional holder designs can be requested. Consult sales for more information.

**Table 2:** List of suitable conductor types, wire sizes and maximum insulation diameter

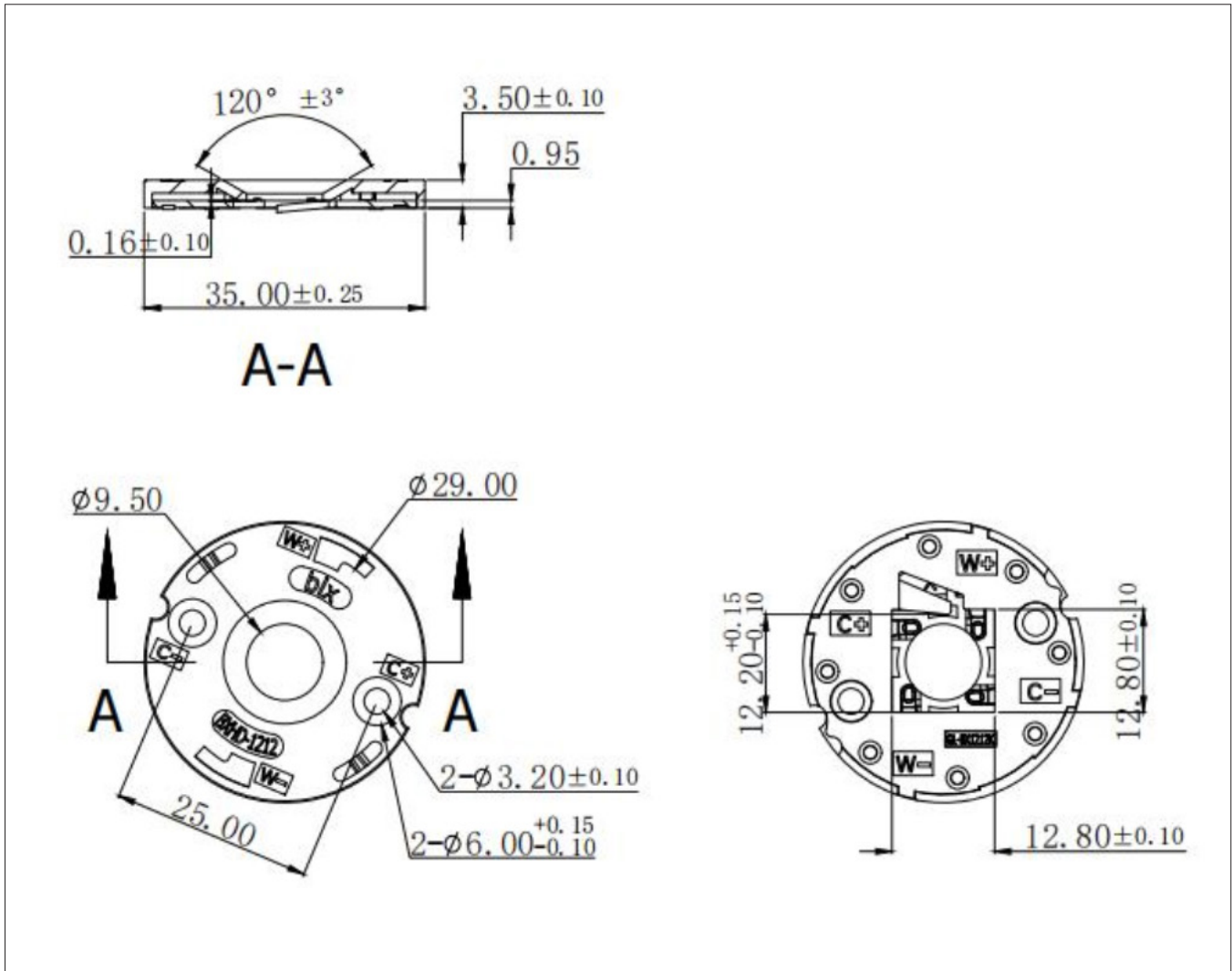
Conductor Type	Wire Size	Insulation Diameter (mm)
Solid,Stranded and tinned,or Stranded	AWG22	2.1mm maximum
	AWG20	
	AWG18	
	0.34mm <sup>2</sup>	
	0.50mm <sup>2</sup>	
	0.75mm <sup>2</sup>	

Notes for Table 2:

1. Additional holder designs can be requested. Consult Sales for more information

# Mechanical Dimensions

Figure 1: Drawing for BXHD-1212 holder

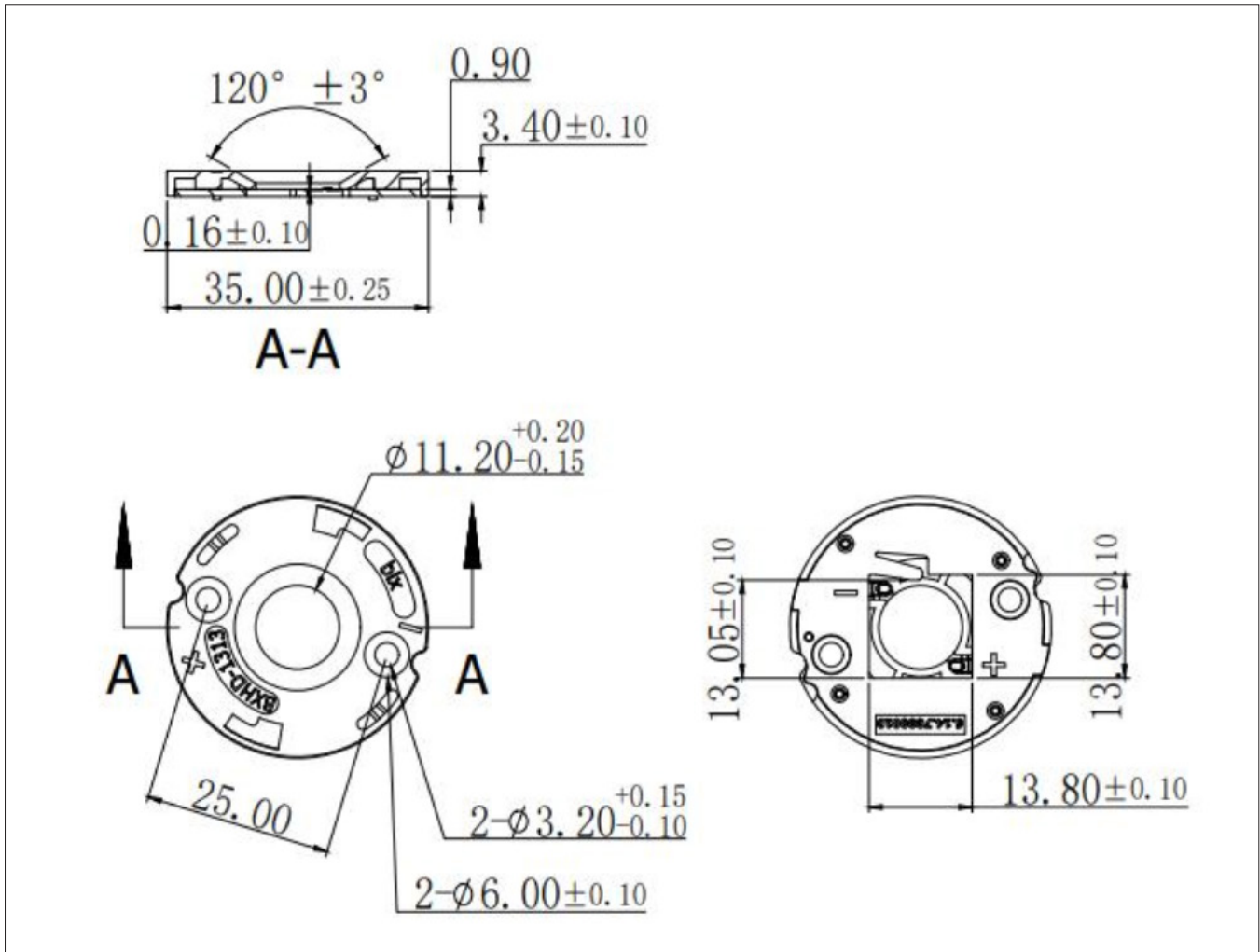


Notes for Figure 1:

1. Drawings are not to scale.
2. Drawing dimensions are in millimeters.
3. Unless otherwise specified, tolerances are ±0.15 mm.
4. Contact pad labeled "+" denotes positive contact.
5. Bridgelux maintains a flatness of 0.10mm across the mounting surface of the array.

# Mechanical Dimensions

Figure 2: Drawing for BXHD-1313 holder

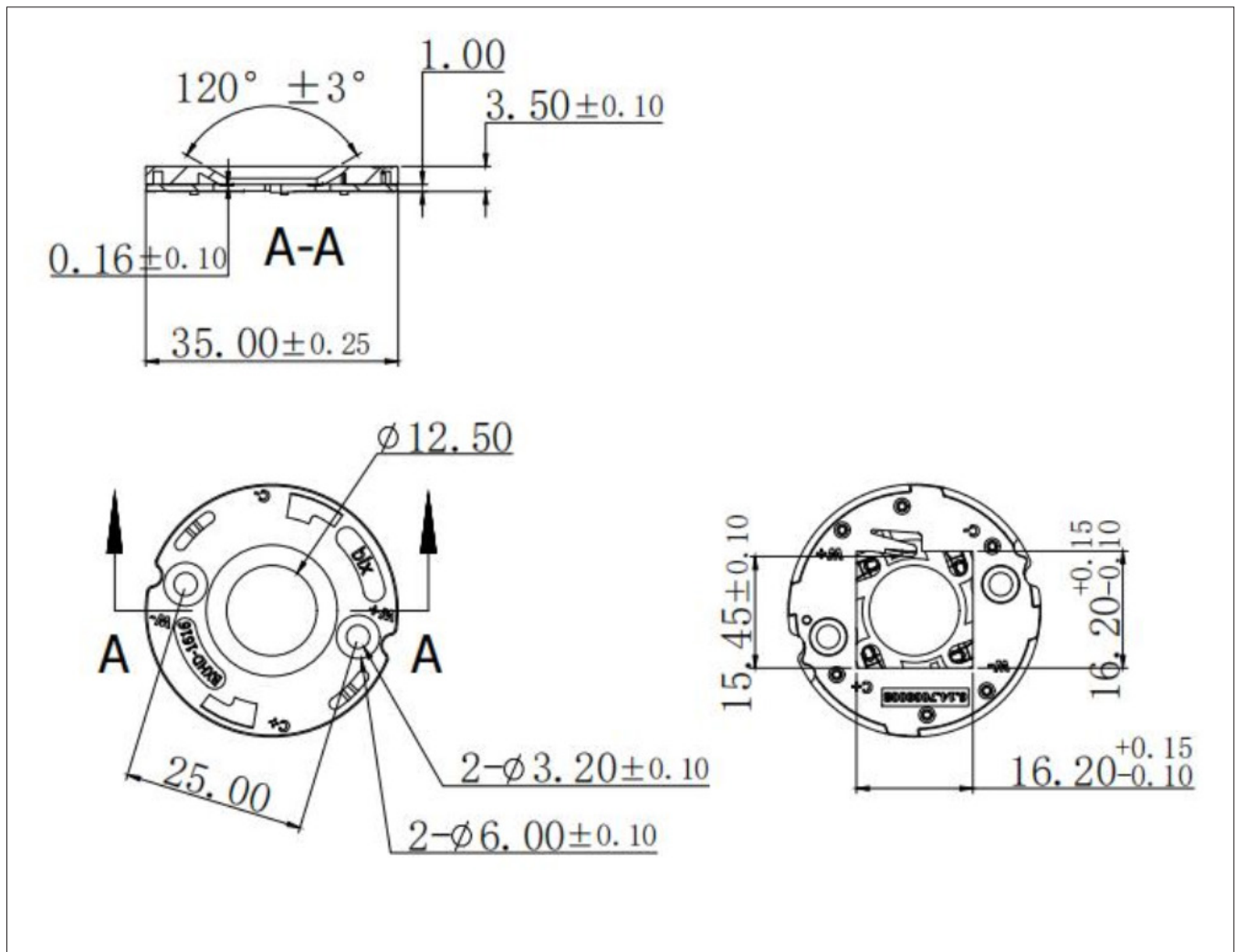


Notes for Figure 2:

1. Drawings are not to scale.
2. Drawing dimensions are in millimeters.
3. Unless otherwise specified, tolerances are  $\pm 0.15$  mm.
4. Contact pad labeled "+" denotes positive contact.
5. Bridgelux maintains a flatness of 0.10mm across the mounting surface of the array.

# Mechanical Dimensions

Figure 3: Drawing for BXHD-1616 holder



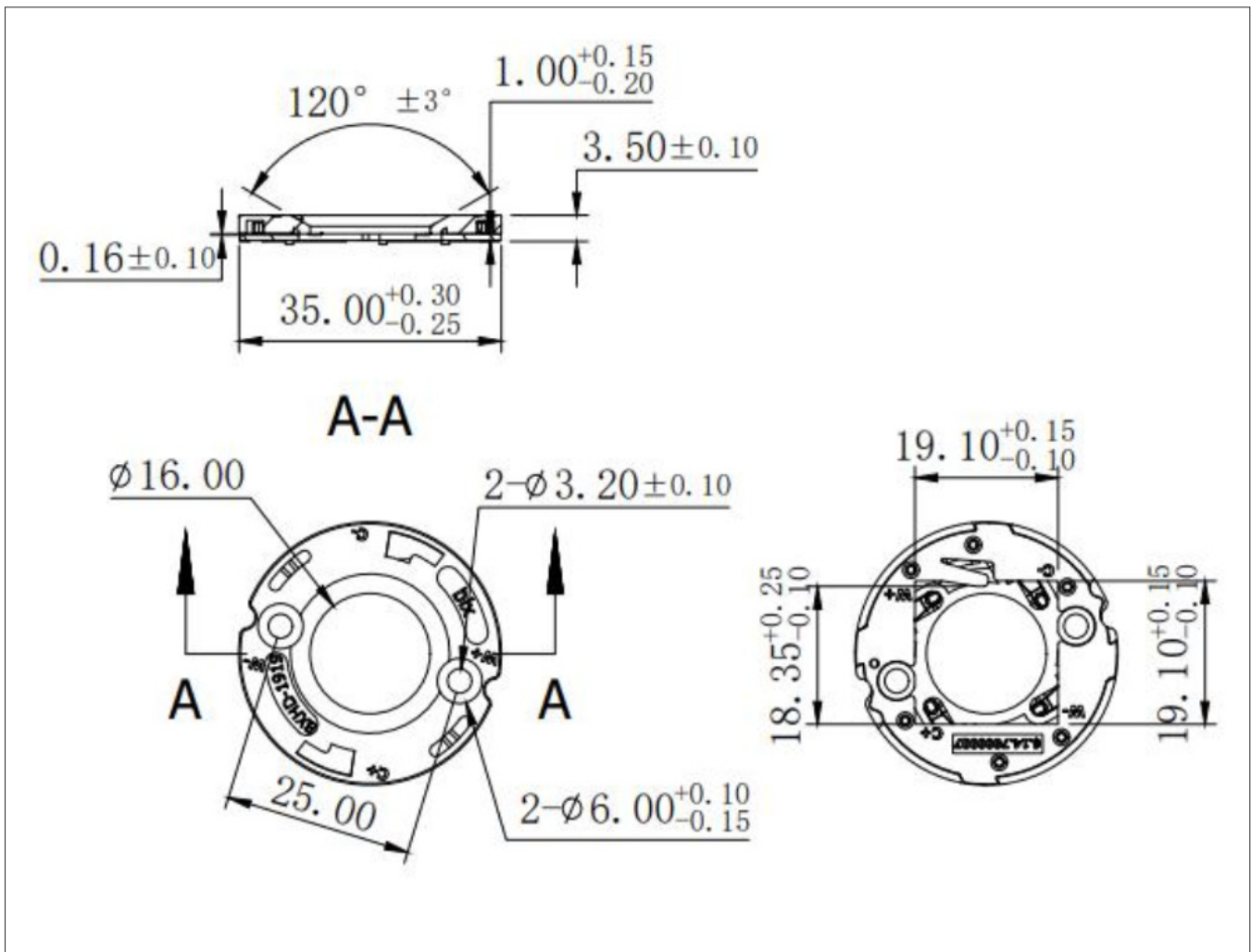
Notes for Figure 3:

1. Drawings are not to scale.
2. Drawing dimensions are in millimeters.
3. Unless otherwise specified, tolerances are  $\pm 0.15$  mm.
4. Contact pad labeled "+" denotes positive contact.
5. Bridgelux maintains a flatness of 0.10mm across the mounting surface of the array.



# Mechanical Dimensions

Figure 4: Drawing for BXHD-1919 holder

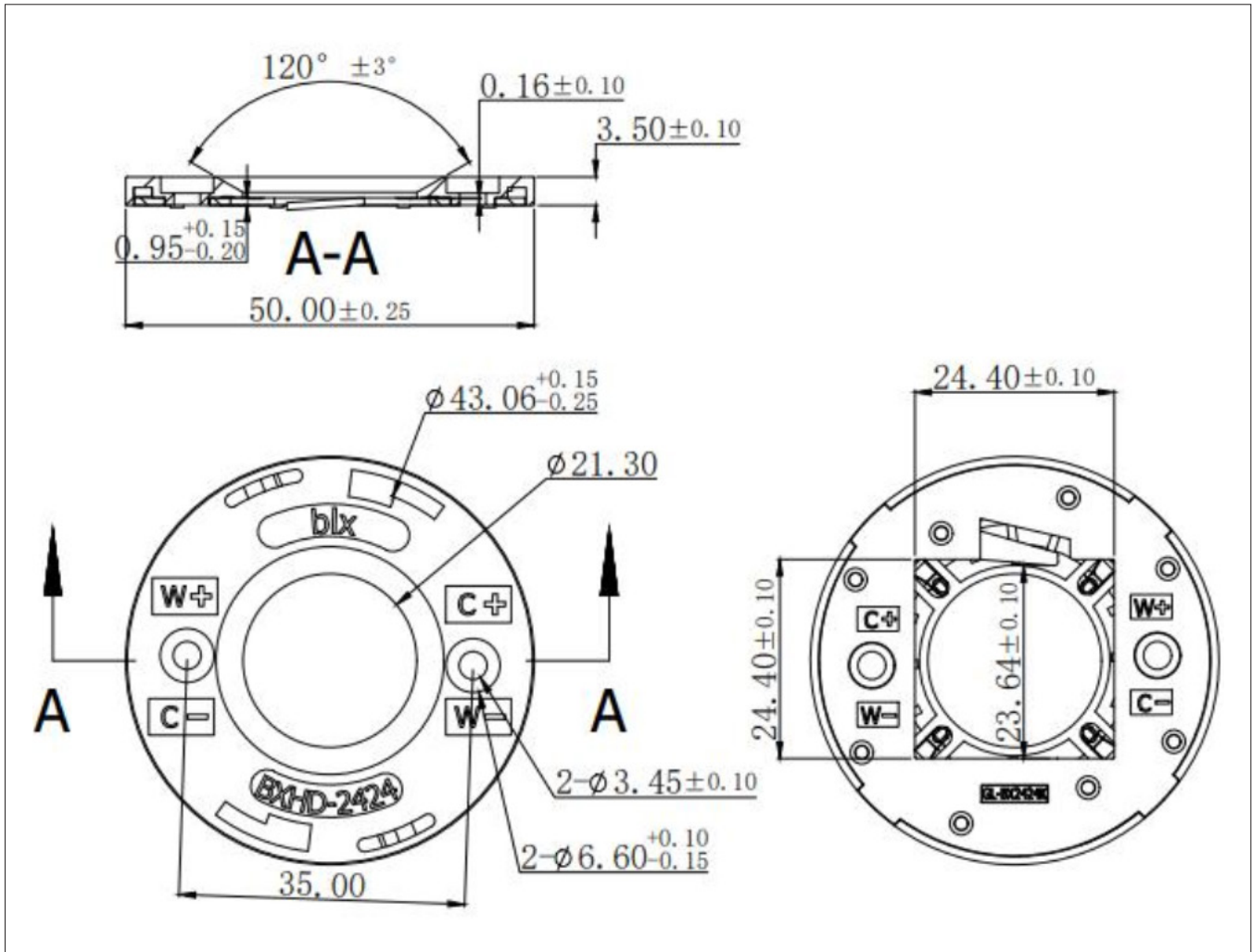


Notes for Figure 4:

1. Drawings are not to scale.
2. Drawing dimensions are in millimeters.
3. Unless otherwise specified, tolerances are  $\pm 0.15$  mm.
4. Contact pad labeled "+" denotes positive contact.
5. Bridgelux maintains a flatness of 0.10mm across the mounting surface of the array.

# Mechanical Dimensions

Figure 5: Drawing for BXHD-2424 holder

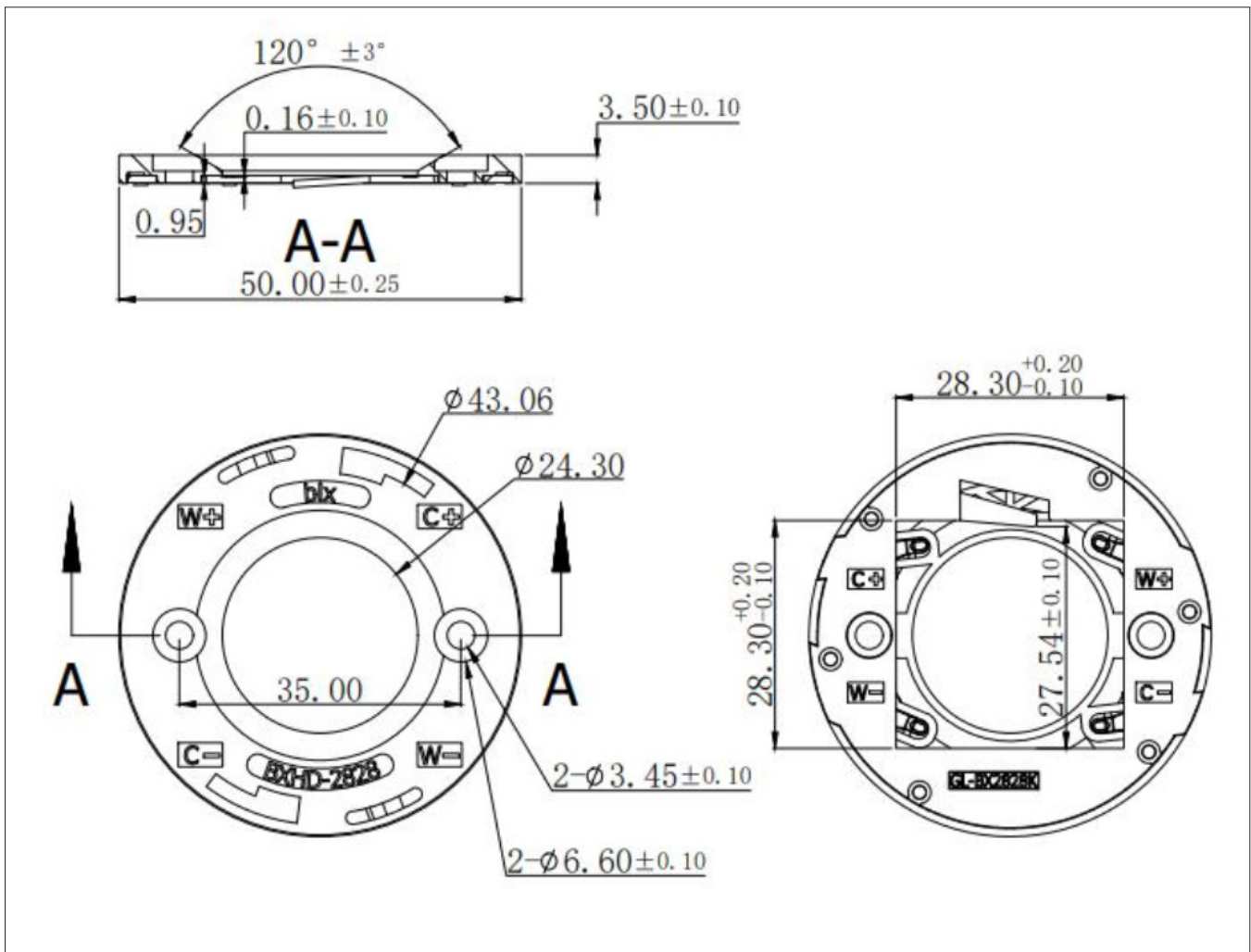


Notes for Figure 5:

1. Drawings are not to scale.
2. Drawing dimensions are in millimeters.
3. Unless otherwise specified, tolerances are  $\pm 0.15$  mm.
4. Contact pad labeled "+" denotes positive contact.
5. Bridgelux maintains a flatness of  $0.10$ mm across the mounting surface of the array.

# Mechanical Dimensions

Figure 6: Drawing for BXHD-2828 holder



Notes for Figure 6:

1. Drawings are not to scale.
2. Drawing dimensions are in millimeters.
3. Unless otherwise specified, tolerances are  $\pm 0.15$  mm.
4. Contact pad labeled "+" denotes positive contact.
5. Bridgelux maintains a flatness of 0.10mm across the mounting surface of the array.

# Design Resources

## **Application Notes**

Bridgelux has developed a comprehensive set of application notes and design resources to assist customers in successfully designing with the V series product family of LED array products. For all available application notes visit [www.bridgelux.com](http://www.bridgelux.com).

## Disclaimers

---

### **MINOR PRODUCT CHANGE POLICY**

The rigorous qualification testing on products offered by Bridgelux provides performance assurance. Slight cosmetic changes that do not affect form, fit, or function may occur as Bridgelux continues product optimization.

# About Bridgelux: Bridging Light and Life™

At Bridgelux, we help companies, industries and people experience the power and possibility of light. Since 2002, we've designed LED solutions that are high performing, energy efficient, cost effective and easy to integrate. Our focus is on light's impact on human behavior, delivering products that create better environments, experiences and returns—both experiential and financial. And our patented technology drives new platforms for commercial and industrial luminaires.

**For more information about the company, please visit**  
**bridgelux.com**  
**twitter.com/Bridgelux**  
**facebook.com/Bridgelux**  
**youtube.com/user/Bridgelux**  
**linkedin.com/company/bridgelux-inc-\_2**  
**WeChat ID: BridgeluxInChina**



46410 Fremont Boulevard  
Fremont, CA 94538 U.S.A.  
Tel (925) 583-8400  
**www.bridgelux.com**

© 2024 Bridgelux, Inc. All rights reserved. Product specifications are subject to change without notice. Bridgelux, the Bridgelux stylized logo design and Vero are registered trademarks. V Series and Decor Series are trademarks of Bridgelux, Inc. All other trademarks are the property of their respective owners.

**Bridgelux Solderless Holder Product Data Sheet DS1340-1 Rev. A (10/2024)**