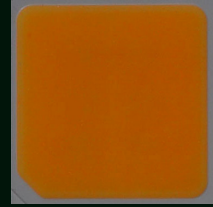


# Bridgelux® SMD 5050 5W 6V

Product Data Sheet DS909

# Introduction

SMD 5050



The Bridgelux SMD 5050 high power LED is hot-color targeted, which ensures that the LEDs fall within their specified color bin at the typical application conditions of 85°C. With its broad lumen coverage and wide range of CCT and CRI options, the SMD 5050 provides unparalleled design-in flexibility for indoor and outdoor lighting applications. The SMD 5050 is ideal as a drop-in replacement for emitters with an industry standard 5.0mm x 5.0mm footprint.

## Features

- Industry-standard 5050 footprint
- 3 color bin options enable tight color control
- Hot-color targeting ensures that color is within the bin at the typical application condition of 85°C
- 3- and 5-step MacAdam ellipse options
- RoHS compliant and lead free
- Multiple CCT and CRI configurations for a wide range of lighting applications

## Benefits

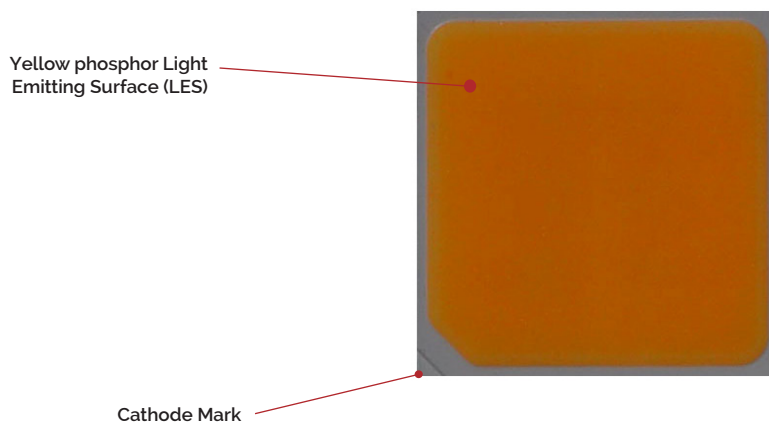
- Lower operating and manufacturing cost
- Ease of design and rapid go-to-market
- Uniform consistent white light
- Compliant with environmental standards
- Design flexibility

# Contents

Product Feature Map	2
Product Nomenclature	2
Product Test Conditions	2
Product Selection Guide	3
Performance at Commonly Used Drive Currents	5
Electrical Characteristics	13
Absolute Maximum Ratings	14
Product Bin Definitions	15
Performance Curves	17
Typical Radiation Pattern	20
Typical Color Spectrum	21
Mechanical Dimensions	22
Reliability	23
Reflow Characteristics	24
Packaging	25
Design Resources	27
Precautions	27
Disclaimers	27
About Bridgelux	28

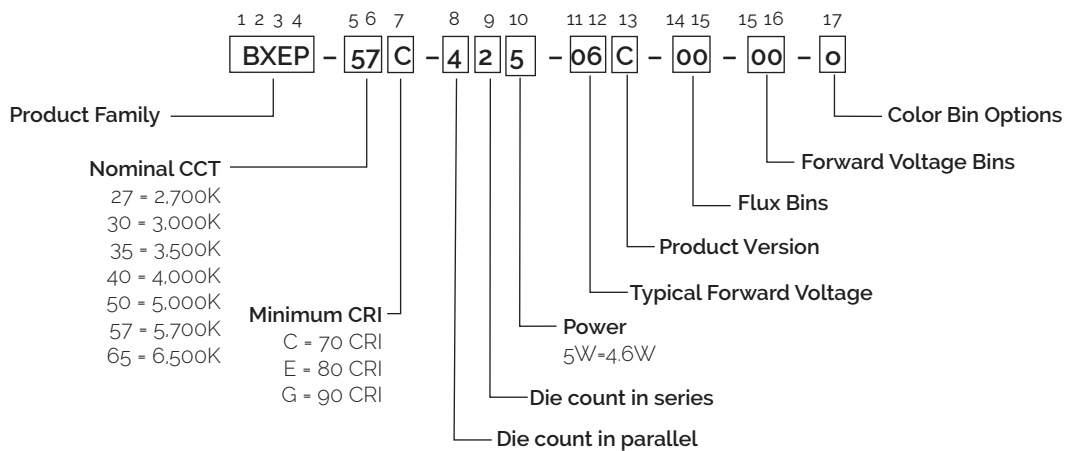
# Product Feature Map

Bridgelux SMD LED products come in industry standard package sizes and follow ANSI binning standards. These LEDs are optimized for cost and performance, helping to ensure highly competitive system lumen per dollar performance while addressing the stringent efficacy and reliability standards required for modern lighting applications.



## Product Nomenclature

The part number designation for Bridgelux SMD 5050 is explained as follows:



## Product Test Conditions

Bridgelux SMD 5050 LEDs are tested and binned with a 10ms pulse of 750mA at  $T_j$  (junction temperature) =  $T_{sp}$  (solder point temperature) = 25°C. Forward voltage and luminous flux are binned at a  $T_j = T_{sp} = 25^\circ\text{C}$ , while color is hot targeted at a  $T_{sp}$  of 85°C.

# Product Selection Guide

The following product configurations are available:

**Table 1:** Selection Guide, Pulsed Measurement Data at 750mA ( $T_j = T_{sp} = 25^\circ\text{C}$ )

Part Number <sup>1,6</sup>	Nominal CCT <sup>2</sup> (K)	CRI <sup>3,5</sup>	Nominal Drive Current (mA)	Forward Voltage <sup>4,5</sup> (V)			Typical Pulsed Flux (lm) <sup>4,5</sup>	Typical Power (W)	Typical Efficacy (lm/W)
				Min	Typical	Max			
BXEP-22C-425-06C-00-00-0	2200	70	750	5.8	6.2	6.4	685	4.7	147
BXEP-22E-425-06C-00-00-0	2200	80	750	5.8	6.2	6.4	623	4.7	134
BXEP-27C-425-06C-00-00-0	2700	70	750	5.8	6.2	6.4	747	4.7	161
BXEP-27E-425-06C-00-00-0	2700	80	750	5.8	6.2	6.4	696	4.7	150
BXEP-27G-425-06C-00-00-0	2700	90	750	5.8	6.2	6.4	589	4.7	127
BXEP-30C-425-06C-00-00-0	3000	70	750	5.8	6.2	6.4	770	4.7	166
BXEP-30E-425-06C-00-00-0	3000	80	750	5.8	6.2	6.4	711	4.7	153
BXEP-30G-425-06C-00-00-0	3000	90	750	5.8	6.2	6.4	608	4.7	131
BXEP-35C-425-06C-00-00-0	3500	70	750	5.8	6.2	6.4	790	4.7	170
BXEP-35E-425-06C-00-00-0	3500	80	750	5.8	6.2	6.4	730	4.7	157
BXEP-40C-425-06C-00-00-0	4000	70	750	5.8	6.2	6.4	818	4.7	176
BXEP-40E-425-06C-00-00-0	4000	80	750	5.8	6.2	6.4	757	4.7	163
BXEP-40G-425-06C-00-00-0	4000	90	750	5.8	6.2	6.4	640	4.7	138
BXEP-50C-425-06C-00-00-0	5000	70	750	5.8	6.2	6.4	818	4.7	176
BXEP-50E-425-06C-00-00-0	5000	80	750	5.8	6.2	6.4	757	4.7	163
BXEP-50G-425-06C-00-00-0	4000	90	750	5.8	6.2	6.4	640	4.7	138
BXEP-57C-425-06C-00-00-0	5700	70	750	5.8	6.2	6.4	808	4.7	174
BXEP-57E-425-06C-00-00-0	5700	80	750	5.8	6.2	6.4	746	4.7	160
BXEP-57G-425-06C-00-00-0	5700	90	750	5.8	6.2	6.4	633	4.7	136
BXEP-65C-425-06C-00-00-0	6500	70	750	5.8	6.2	6.4	808	4.7	174
BXEP-65E-425-06C-00-00-0	6500	80	750	5.8	6.2	6.4	746	4.7	160
BXEP-65G-425-06C-00-00-0	6500	90	750	5.8	6.2	6.4	630	4.7	135

Notes for Table 1:

- The last 7 characters (including hyphens '-') refer to flux bins, forward voltage bins, and color bin options, respectively. "00-00-0" denotes the full distribution of flux, forward voltage, and 5 SDCM color.  
Example: BXEP-57C-425-06C-00-00-0 refers to the full distribution of flux, forward voltage, and color within a 5700K 5-step ANSI standard chromaticity region with a minimum of 70CRI, 4x2 die configuration, 4.6w power, 6.2V typical forward voltage.
- Product CCT is hot targeted at  $T_{sp} = 85^\circ\text{C}$ . Nominal CCT as defined by ANSI C78.377-2011.
- Listed CRIs are minimum values and include test tolerance.
- Products tested under pulsed condition (10ms pulse width) at nominal drive current where  $T_j = T_{sp} = 25^\circ\text{C}$ .
- Bridgelux maintains a  $\pm 7.5\%$  tolerance on luminous flux measurements,  $\pm 0.1\text{V}$  tolerance on forward voltage measurements, and  $\pm 2$  tolerance on CRI measurements for the SMD 5050.
- Refer to Table 6 and Table 7 for Bridgelux SMD 5050 Luminous Flux Binning and Forward Voltage Binning information.

# Product Selection Guide

The following product configurations are available:

**Table 2:** Selection Guide, Stabilized DC Performance ( $T_{sp} = 85^{\circ}\text{C}$ )<sup>6,7</sup>

Part Number	Nominal CCT <sup>1</sup> (K)	CRI <sup>2,3</sup>	Nominal Drive Current (mA)	Forward Voltage <sup>3</sup> (V)			Typical DC Flux (lm) <sup>2</sup>	Typical DC Power (W)	Typical DC Effi- cacy (lm/W)
				Min	Typical	Max			
BXEP-22C-425-06C-00-00-0	2700	70	750	5.7	6.1	6.3	624	4.6	136
BXEP-22E-425-06C-00-00-0	2700	80	750	5.7	6.1	6.3	567	4.6	114
BXEP-27C-425-06C-00-00-0	2700	70	750	5.7	6.1	6.3	680	4.6	149
BXEP-27E-425-06C-00-00-0	2700	80	750	5.7	6.1	6.3	634	4.6	139
BXEP-27G-425-06C-00-00-0	2700	90	750	5.7	6.1	6.3	536	4.6	117
BXEP-30C-425-06C-00-00-0	3000	70	750	5.7	6.1	6.3	702	4.6	153
BXEP-30E-425-06C-00-00-0	3000	80	750	5.7	6.1	6.3	648	4.6	142
BXEP-30G-425-06C-00-00-0	3000	90	750	5.7	6.1	6.3	554	4.6	121
BXEP-35C-425-06C-00-00-0	3500	70	750	5.7	6.1	6.3	720	4.6	157
BXEP-35E-425-06C-00-00-0	3500	80	750	5.7	6.1	6.3	665	4.6	145
BXEP-40C-425-06C-00-00-0	4000	70	750	5.7	6.1	6.3	745	4.6	163
BXEP-40E-425-06C-00-00-0	4000	80	750	5.7	6.1	6.3	690	4.6	151
BXEP-40G-425-06C-00-00-0	4000	90	750	5.7	6.1	6.3	583	4.6	128
BXEP-50C-425-06C-00-00-0	5000	70	750	5.7	6.1	6.3	745	4.6	163
BXEP-50E-425-06C-00-00-0	5000	80	750	5.7	6.1	6.3	690	4.6	151
BXEP-50G-425-06C-00-00-0	4000	90	750	5.7	6.1	6.3	583	4.6	128
BXEP-57C-425-06C-00-00-0	5700	70	750	5.7	6.1	6.3	736	4.6	161
BXEP-57E-425-06C-00-00-0	5700	80	750	5.7	6.1	6.3	679	4.6	149
BXEP-57G-425-06C-00-00-0	5700	90	750	5.7	6.1	6.3	576	4.6	126
BXEP-65C-425-06C-00-00-0	6500	70	750	5.7	6.1	6.3	736	4.6	161
BXEP-65E-425-06C-00-00-0	6500	80	750	5.7	6.1	6.3	679	4.6	149

Notes for Table 2:

- The last 7 characters (including hyphens '-') refer to flux bins, forward voltage bins, and color bin options, respectively. "00-00-0" denotes the full distribution of flux, forward voltage, and 5 SDCM color.  
Example: BXEP-57C-425-06C-00-00-0 refers to the full distribution of flux, forward voltage, and color within a 5700K 5-step ANSI standard chromaticity region with a minimum of 70CRI, 4x2 die configuration, 4.6w power, 6.2V typical forward voltage.
- Product CCT is hot targeted at  $T_{sp} = 85^{\circ}\text{C}$ . Nominal CCT as defined by ANSI C78.377-2011.
- Listed CRIs are minimum values and include test tolerance.
- Bridgelux maintains a  $\pm 7.5\%$  tolerance on luminous flux measurements,  $\pm 0.1\text{V}$  tolerance on forward voltage measurements, and  $\pm 2$  tolerance on CRI measurements for the SMD 5050.
- Refer to Table 6 and Table 7 for Bridgelux SMD 5050 Luminous Flux Binning and Forward Voltage Binning information.
- Typical stabilized DC performance values are provided as reference only and are not a guarantee of performance.
- Typical performance is estimated based on operation under DC (direct current) with LED emitter mounted onto a heat sink with thermal interface material and the solder point temperature maintained at  $85^{\circ}\text{C}$ . Based on Bridgelux test setup, values may vary depending on the thermal design of the luminaire and/or the exposed environment to which the product is subjected.

# Performance at Commonly Used Drive Currents

SMD 5050 LEDs are tested to the specifications shown using the nominal drive currents in Table 1. SMD 5050 may also be driven at other drive currents dependent on specific application design requirements. The performance at any drive current can be derived from the current vs. voltage characteristics shown in Figure 2 and the relative luminous flux vs. current characteristics shown in Figure 3. The performance at commonly used drive currents is summarized in Table 3.

**Table 3:** Performance at Commonly Used Drive Currents

Part Number	CRI	Drive Current <sup>1</sup> (mA)	Typical $V_f$ $T_{sp} = 25^\circ\text{C}$ (V)	Typical Power $T_{sp} = 25^\circ\text{C}$ (W)	Typical Pulsed Flux <sup>2</sup> $T_{sp} = 25^\circ\text{C}$ (lm)	Typical DC Flux <sup>3</sup> $T_{sp} = 85^\circ\text{C}$ (lm)	Typical Efficacy $T_{sp} = 25^\circ\text{C}$ (lm/W)
BXEP-22C-425-06C-00-00-0	70	150	5.4	0.8	149	140	184
		180	5.4	1.0	178	167	182
		300	5.6	1.7	291	271	173
		450	5.8	2.6	428	396	163
		600	6.0	3.6	558	513	155
		640	6.1	3.9	593	543	153
		<b>750</b>	<b>6.2</b>	<b>4.7</b>	<b>685</b>	<b>624</b>	<b>147</b>
		800	6.3	5.0	726	660	145
		1000	6.5	6.5	884	796	136
BXEP-22E-425-06C-00-00-0	80	150	5.4	0.8	136	127	168
		180	5.4	1.0	162	152	165
		300	5.6	1.7	265	247	157
		450	5.8	2.6	389	360	149
		600	6.0	3.6	508	467	141
		640	6.1	3.9	540	494	139
		<b>750</b>	<b>6.2</b>	<b>4.7</b>	<b>623</b>	<b>567</b>	<b>134</b>
		800	6.3	5.0	660	600	132
		1000	6.5	6.5	804	724	124

# Performance at Commonly Used Drive Currents

**Table 3:** Performance at Commonly Used Drive Currents

Part Number	CRI	Drive Current <sup>1</sup> (mA)	Typical $V_f$ $T_{sp} = 25^\circ\text{C}$ (V)	Typical Power $T_{sp} = 25^\circ\text{C}$ (W)	Typical Pulsed Flux <sup>2</sup> $T_{sp} = 25^\circ\text{C}$ (lm)	Typical DC Flux <sup>3</sup> $T_{sp} = 85^\circ\text{C}$ (lm)	Typical Efficacy $T_{sp} = 25^\circ\text{C}$ (lm/W)
BXEP-27C-425-06C-00-00-0	70	150	5.4	0.8	163	153	201
		180	5.4	1.0	194	182	198
		300	5.6	1.7	317	296	188
		450	5.8	2.6	467	432	178
		600	6.0	3.6	609	560	169
		640	6.1	3.9	647	592	167
		<b>750</b>	<b>6.2</b>	<b>4.7</b>	<b>747</b>	<b>680</b>	<b>161</b>
		800	6.3	5.0	792	719	158
		1000	6.5	6.5	964	868	148
BXEP-27E-425-06C-00-00-0	80	150	5.4	0.8	152	142	187
		180	5.4	1.0	181	170	185
		300	5.6	1.7	296	276	176
		450	5.8	2.6	435	402	166
		600	6.0	3.6	567	521	157
		640	6.1	3.9	603	552	155
		<b>750</b>	<b>6.2</b>	<b>4.7</b>	<b>696</b>	<b>634</b>	<b>150</b>
		800	6.3	5.0	738	670	147
		1000	6.5	6.5	898	809	138
BXEP-27G-425-06C-00-00-0	90	150	5.4	0.8	128	120	159
		180	5.4	1.0	153	144	156
		300	5.6	1.7	250	233	148
		450	5.8	2.6	368	340	141
		600	6.0	3.6	480	441	133
		640	6.1	3.9	510	467	131
		<b>750</b>	<b>6.2</b>	<b>4.7</b>	<b>589</b>	<b>536</b>	<b>127</b>
		800	6.3	5.0	624	567	125
		1000	6.5	6.5	760	684	117



# Performance at Commonly Used Drive Currents

**Table 3:** Performance at Commonly Used Drive Currents

Part Number	CRI	Drive Current <sup>1</sup> (mA)	Typical $V_f$ $T_{sp} = 25^\circ\text{C}$ (V)	Typical Power $T_{sp} = 25^\circ\text{C}$ (W)	Typical Pulsed Flux <sup>2</sup> $T_{sp} = 25^\circ\text{C}$ (lm)	Typical DC Flux <sup>3</sup> $T_{sp} = 85^\circ\text{C}$ (lm)	Typical Efficacy $T_{sp} = 25^\circ\text{C}$ (lm/W)
BXEP-30C-425-06C-00-00-0	70	150	5.4	0.8	168	158	207
		180	5.4	1.0	200	188	204
		300	5.6	1.7	327	305	194
		450	5.8	2.6	482	445	184
		600	6.0	3.6	628	577	174
		640	6.1	3.9	667	611	172
		<b>750</b>	<b>6.2</b>	<b>4.7</b>	<b>770</b>	<b>702</b>	<b>166</b>
		800	6.3	5.0	816	742	163
BXEP-30E-425-06C-00-00-0	80	150	5.4	0.8	155	146	191
		180	5.4	1.0	185	174	189
		300	5.6	1.7	302	282	179
		450	5.8	2.6	445	411	170
		600	6.0	3.6	580	533	161
		640	6.1	3.9	616	564	159
		<b>750</b>	<b>6.2</b>	<b>4.7</b>	<b>711</b>	<b>648</b>	<b>153</b>
		800	6.3	5.0	754	685	150
BXEP-30G-425-06C-00-00-0	90	150	5.4	0.8	133	124	164
		180	5.4	1.0	158	148	161
		300	5.6	1.7	258	241	153
		450	5.8	2.6	380	351	145
		600	6.0	3.6	496	455	137
		640	6.1	3.9	527	482	136
		<b>750</b>	<b>6.2</b>	<b>4.7</b>	<b>608</b>	<b>554</b>	<b>131</b>
		800	6.3	5.0	644	586	129
1000	6.5	6.5	784	706	121		

# Performance at Commonly Used Drive Currents

**Table 3:** Performance at Commonly Used Drive Currents

Part Number	CRI	Drive Current <sup>1</sup> (mA)	Typical $V_f$ $T_{sp} = 25^\circ\text{C}$ (V)	Typical Power $T_{sp} = 25^\circ\text{C}$ (W)	Typical Pulsed Flux <sup>2</sup> $T_{sp} = 25^\circ\text{C}$ (lm)	Typical DC Flux <sup>3</sup> $T_{sp} = 85^\circ\text{C}$ (lm)	Typical Efficacy $T_{sp} = 25^\circ\text{C}$ (lm/W)
BXEP-35C-425-06C-00-00-0	70	150	5.4	0.8	172	162	213
		180	5.4	1.0	206	193	210
		300	5.6	1.7	336	313	199
		450	5.8	2.6	494	457	189
		600	6.0	3.6	644	592	179
		640	6.1	3.9	685	626	176
		<b>750</b>	<b>6.2</b>	<b>4.7</b>	<b>790</b>	<b>720</b>	<b>170</b>
		800	6.3	5.0	838	761	167
		1000	6.5	6.5	1020	919	157
BXEP-35E-425-06C-00-00-0	80	150	5.4	0.8	159	149	196
		180	5.4	1.0	190	178	194
		300	5.6	1.7	310	289	184
		450	5.8	2.6	456	422	174
		600	6.0	3.6	595	547	165
		640	6.1	3.9	632	578	163
		<b>750</b>	<b>6.2</b>	<b>4.7</b>	<b>730</b>	<b>665</b>	<b>157</b>
		800	6.3	5.0	773	703	154
		1000	6.5	6.5	942	848	145

# Performance at Commonly Used Drive Currents

**Table 3:** Performance at Commonly Used Drive Currents

Part Number	CRI	Drive Current <sup>1</sup> (mA)	Typical $V_f$ $T_{sp} = 25^\circ\text{C}$ (V)	Typical Power $T_{sp} = 25^\circ\text{C}$ (W)	Typical Pulsed Flux <sup>2</sup> $T_{sp} = 25^\circ\text{C}$ (lm)	Typical DC Flux <sup>3</sup> $T_{sp} = 85^\circ\text{C}$ (lm)	Typical Efficacy $T_{sp} = 25^\circ\text{C}$ (lm/W)
BXEP-40C-425-06C-00-00-0	70	150	5.4	0.8	178	167	220
		180	5.4	1.0	213	200	217
		300	5.6	1.7	348	324	206
		450	5.8	2.6	511	473	195
		600	6.0	3.6	667	613	185
		640	6.1	3.9	708	648	183
		<b>750</b>	<b>6.2</b>	<b>4.7</b>	<b>818</b>	<b>745</b>	<b>176</b>
		800	6.3	5.0	867	788	173
		1000	6.5	6.5	1055	951	162
BXEP-40E-425-06C-00-00-0	80	150	5.4	0.8	165	155	204
		180	5.4	1.0	197	185	201
		300	5.6	1.7	322	300	191
		450	5.8	2.6	473	438	181
		600	6.0	3.6	617	567	171
		640	6.1	3.9	656	600	169
		<b>750</b>	<b>6.2</b>	<b>4.7</b>	<b>757</b>	<b>690</b>	<b>163</b>
		800	6.3	5.0	802	729	160
		1000	6.5	6.5	977	880	150
BXEP-40G-425-06C-00-00-0	90	150	5.4	0.8	140	131	172
		180	5.4	1.0	166	156	170
		300	5.6	1.7	272	253	161
		450	5.8	2.6	400	370	153
		600	6.0	3.6	522	479	145
		640	6.1	3.9	554	507	143
		<b>750</b>	<b>6.2</b>	<b>4.7</b>	<b>640</b>	<b>583</b>	<b>138</b>
		800	6.3	5.0	678	616	135
		1000	6.5	6.5	826	744	127

# Performance at Commonly Used Drive Currents

**Table 3:** Performance at Commonly Used Drive Currents

Part Number	CRI	Drive Current <sup>1</sup> (mA)	Typical V <sub>f</sub> T <sub>sp</sub> = 25° C (V)	Typical Power T <sub>sp</sub> = 25° C (W)	Typical Pulsed Flux <sup>2</sup> T <sub>sp</sub> = 25° C (lm)	Typical DC Flux <sup>3</sup> T <sub>sp</sub> = 85° C (lm)	Typical Efficacy T <sub>sp</sub> = 25° C (lm/W)
BXEP-50C-425-06C-00-00-0	70	150	5.4	0.8	178	167	220
		180	5.4	1.0	213	200	217
		300	5.6	1.7	348	324	206
		450	5.8	2.6	511	473	195
		600	6.0	3.6	667	613	185
		640	6.1	3.9	708	648	183
		<b>750</b>	<b>6.2</b>	<b>4.7</b>	<b>818</b>	<b>745</b>	<b>176</b>
		800	6.3	5.0	867	788	173
		1000	6.5	6.5	1055	951	162
BXEP-50E-425-06C-00-00-0	80	150	5.4	0.8	165	155	204
		180	5.4	1.0	197	185	201
		300	5.6	1.7	322	300	191
		450	5.8	2.6	473	438	181
		600	6.0	3.6	617	567	171
		640	6.1	3.9	656	600	169
		<b>750</b>	<b>6.2</b>	<b>4.7</b>	<b>757</b>	<b>690</b>	<b>163</b>
		800	6.3	5.0	802	729	160
		1000	6.5	6.5	977	880	150
BXEP-50G-425-06C-00-00-0	90	150	5.4	0.8	140	131	172
		180	5.4	1.0	166	156	170
		300	5.6	1.7	272	253	161
		450	5.8	2.6	400	370	153
		600	6.0	3.6	522	479	145
		640	6.1	3.9	554	507	143
		<b>750</b>	<b>6.2</b>	<b>4.7</b>	<b>640</b>	<b>583</b>	<b>138</b>
		800	6.3	5.0	678	616	135
		1000	6.5	6.5	826	744	127

# Performance at Commonly Used Drive Currents

**Table 3:** Performance at Commonly Used Drive Currents

Part Number	CRI	Drive Current <sup>1</sup> (mA)	Typical $V_f$ $T_{sp} = 25^\circ\text{C}$ (V)	Typical Power $T_{sp} = 25^\circ\text{C}$ (W)	Typical Pulsed Flux <sup>2</sup> $T_{sp} = 25^\circ\text{C}$ (lm)	Typical DC Flux <sup>3</sup> $T_{sp} = 85^\circ\text{C}$ (lm)	Typical Efficacy $T_{sp} = 25^\circ\text{C}$ (lm/W)
BXEP-57C-425-06C-00-00-0	70	150	5.4	0.8	176	165	217
		180	5.4	1.0	210	197	214
		300	5.6	1.7	343	320	204
		450	5.8	2.6	505	467	193
		600	6.0	3.6	659	605	183
		640	6.1	3.9	700	640	180
		<b>750</b>	<b>6.2</b>	<b>4.7</b>	<b>808</b>	<b>736</b>	<b>174</b>
		800	6.3	5.0	856	778	171
		1000	6.5	6.5	1042	939	160
BXEP-57E-425-06C-00-00-0	80	150	5.4	0.8	163	153	201
		180	5.4	1.0	194	182	198
		300	5.6	1.7	317	295	188
		450	5.8	2.6	466	431	178
		600	6.0	3.6	608	559	169
		640	6.1	3.9	646	591	166
		<b>750</b>	<b>6.2</b>	<b>4.7</b>	<b>746</b>	<b>679</b>	<b>160</b>
		800	6.3	5.0	790	718	158
		1000	6.5	6.5	962	867	148
BXEP-57G-425-06C-00-00-0	90	150	5.4	0.8	138	129	170
		180	5.4	1.0	165	154	168
		300	5.6	1.7	269	251	160
		450	5.8	2.6	396	366	151
		600	6.0	3.6	516	474	143
		640	6.1	3.9	548	502	141
		<b>750</b>	<b>6.2</b>	<b>4.7</b>	<b>633</b>	<b>576</b>	<b>136</b>
		800	6.3	5.0	671	610	134
		1000	6.5	6.5	817	736	126

# Performance at Commonly Used Drive Currents

**Table 3:** Performance at Commonly Used Drive Currents

Part Number	CRI	Drive Current <sup>1</sup> (mA)	Typical $V_f$ $T_{sp} = 25^\circ\text{C}$ (V)	Typical Power $T_{sp} = 25^\circ\text{C}$ (W)	Typical Pulsed Flux <sup>2</sup> $T_{sp} = 25^\circ\text{C}$ (lm)	Typical DC Flux <sup>3</sup> $T_{sp} = 85^\circ\text{C}$ (lm)	Typical Efficacy $T_{sp} = 25^\circ\text{C}$ (lm/W)
BXEP-65C-425-06C-00-00-0	70	150	5.4	0.8	176	165	217
		180	5.4	1.0	210	197	214
		300	5.6	1.7	343	320	204
		450	5.8	2.6	505	467	193
		600	6.0	3.6	659	605	183
		640	6.1	3.9	700	640	180
		<b>750</b>	<b>6.2</b>	<b>4.7</b>	<b>808</b>	<b>736</b>	<b>174</b>
		800	6.3	5.0	856	778	171
		1000	6.5	6.5	1042	939	160
BXEP-65E-425-06C-00-00-0	80	150	5.4	0.8	163	153	201
		180	5.4	1.0	194	182	198
		300	5.6	1.7	317	295	188
		450	5.8	2.6	466	431	178
		600	6.0	3.6	608	559	169
		640	6.1	3.9	646	591	166
		<b>750</b>	<b>6.2</b>	<b>4.7</b>	<b>746</b>	<b>679</b>	<b>160</b>
		800	6.3	5.0	790	718	158
		1000	6.5	6.5	962	867	148
BXEP-65G-425-06C-00-00-0	90	150	5.4	0.8	137	129	170
		180	5.4	1.0	164	154	167
		300	5.6	1.7	268	249	159
		450	5.8	2.6	394	364	150
		600	6.0	3.6	513	472	142
		640	6.1	3.9	546	499	141
		<b>750</b>	<b>6.2</b>	<b>4.7</b>	<b>630</b>	<b>574</b>	<b>135</b>
		800	6.3	5.0	668	607	133
		1000	6.5	6.5	813	732	125

Notes for Table 3:

1. Alternate drive currents in Table 3 are provided for reference only and are not a guarantee of performance.
2. Bridgelux maintains a  $\pm 7.5\%$  tolerance on flux measurements.
3. Typical stabilized DC performance values are provided as reference only and are not a guarantee of performance.

# Electrical Characteristics

**Table 4:** Electrical Characteristics

Part Number <sup>1</sup>	Drive Current (mA)	Forward Voltage (V) <sup>2,3</sup>			Typical Temperature Coefficient of Forward Voltage $\Delta V_f / \Delta T$ (mV/°C)	Typical Thermal Resistance Junction to Solder Point <sup>4</sup> $R_{j-sp}$ (°C/W)
		Minimum	Typical	Maximum		
BXEP-XXX-425-06C-00-00-0	750	5.8	6.2	6.4	-2.37	3.2

Notes for Table 4:

- The last 7 characters (including hyphens '-') refer to flux bins, forward voltage bins, and color bin options, respectively. "00-00-0" denotes the full distribution of flux, forward voltage, and 5 SDCM color.  
Example: BXEP-57C-425-06C-00-00-0 refers to the full distribution of flux, forward voltage, and color within a 5700K 5-step ANSI standard chromaticity region with a minimum of 70CRI, 4X2 die configuration, 4.6w power, 6.2V typical forward voltage.
- Bridgelux maintains a tolerance of  $\pm 0.1V$  on forward voltage measurements. Voltage minimum and maximum values at the nominal drive current are guaranteed by 100% test.
- Products tested under pulsed condition (10ms pulse width) at nominal drive current where  $T_{sp} = 25^\circ C$ .
- Thermal Resistance values based on 3000K 70CRI product.
- Thermal resistance value was calculated using total electrical input power; optical power was not subtracted from input power.

# Absolute Maximum Ratings

**Table 5:** Maximum Ratings

Parameter	Maximum Rating
LED Junction Temperature ( $T_j$ )	125°C
Storage Temperature	-40°C to +105°C
Operating Solder Point Temperature ( $T_{sp}$ )	-40°C to +105°C
Soldering Temperature	260°C or lower for a maximum of 10 seconds
Maximum Drive Current <sup>1</sup>	1000 mA
Maximum Peak Pulsed Forward Current <sup>2</sup>	1200 mA
Maximum Reverse Voltage <sup>3</sup>	-
Moisture Sensitivity Rating	MSL 3
Electrostatic Discharge	2kV HBM. JEDEC-JS-001-HBM and JEDEC-JS-001-2012

Notes for Table 5:

1. Maximum drive current may be limited by the solder point temperature. Please see Figure 7 for further details.
2. Bridgelux recommends a maximum duty cycle of 10% and pulse width of 10 ms when operating LED SMD at maximum peak pulsed current specified. Maximum peak pulsed current indicate values where LED SMD can be driven without catastrophic failures.
3. Light emitting diodes are not designed to be driven in reverse voltage and will not produce light under this condition, no rating is provided.



# Product Bin Definitions

Table 6 lists the standard photometric luminous flux bins for Bridgelux SMD 5050 LEDs. Although several bins are listed, product availability in a particular bin varies by production run and by product performance. Not all bins are available in all CCTs.

**Table 6:** Luminous Flux Bin Definitions at 750mA,  $T_{sp}=25^{\circ}\text{C}$

Bin Code	Minimum	Maximum	Unit	Condition
A9	545	590	lm	$I_F=750\text{mA}$
B1	590	635		
B2	635	685		
B3	685	740		
B4	740	800		
B5	800	865		

Note for Table 6:

1. Bridgelux maintains a tolerance of  $\pm 7.5\%$  on luminous flux measurements.

**Table 7:** Forward Voltage Bin Definition at 750mA,  $T_{sp}=25^{\circ}\text{C}$

Bin Code	Minimum	Maximum	Unit	Condition
BO	5.8	6.0	V	$I_F=750\text{mA}$
BP	6.0	6.2		
BQ	6.2	6.4		

Note for Table 7:

1. Bridgelux maintains a tolerance of  $\pm 0.1\text{V}$  on forward voltage measurements.

# Product Bin Definitions

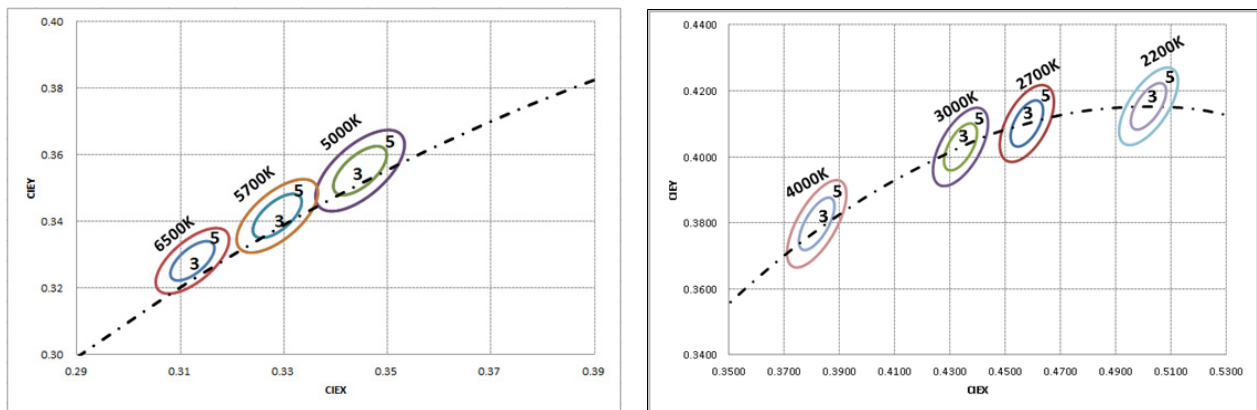
**Table 8:** 3- and 5-step MacAdam Ellipse Color Bin Definitions

CCT	Color Space	Center Point		Major Axis	Minor Axis	Ellipse Rotation Angle	Color Bin
		X	Y				
2200K	3 SDCM	0.5018	0.4153	0.00863	0.00398	49.27	3
	5 SDCM	0.5018	0.4153	0.01438	0.00663	49.27	5
2700K	3 SDCM	0.4578	0.4101	0.00810	0.00420	53.70	3
	5 SDCM	0.4578	0.4101	0.01350	0.00700	53.70	5
3000K	3 SDCM	0.4338	0.4030	0.00834	0.00408	53.22	3
	5 SDCM	0.4338	0.4030	0.01390	0.00680	53.22	5
3500K	3 SDCM	0.4073	0.3917	0.00927	0.00414	54	3
	5 SDCM	0.4073	0.4917	0.01545	0.0069	54	5
4000K	3 SDCM	0.3818	0.3797	0.00939	0.00402	53.72	3
	5 SDCM	0.3818	0.3797	0.01565	0.00670	53.72	5
5000K	3 SDCM	0.3447	0.3553	0.00822	0.00354	59.62	3
	5 SDCM	0.3447	0.3553	0.01370	0.00590	59.62	5
5700K	3 SDCM	0.3287	0.3417	0.00746	0.00320	59.09	3
	5 SDCM	0.3287	0.3417	0.01243	0.00533	59.09	5

Notes for Table 8:

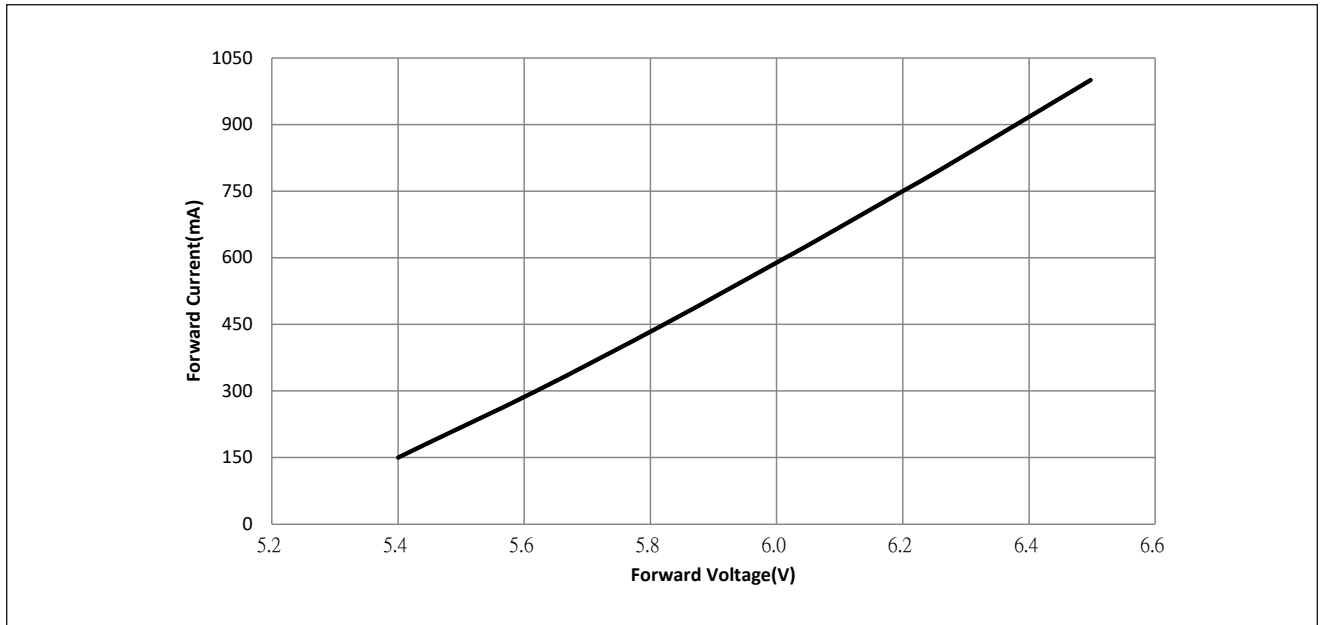
1. Color binning at  $T_{sp} = 85^{\circ}\text{C}$
2. Bridgelux maintains a tolerance of  $\pm 0.007$  on x and y color coordinates in the CIE 1931 color space.

**Figure 1: C.I.E. 1931 Chromaticity Diagram (2 Color Bin Structure, Hot-color Targeted at  $T_{sp} = 85^{\circ}\text{C}$ )**

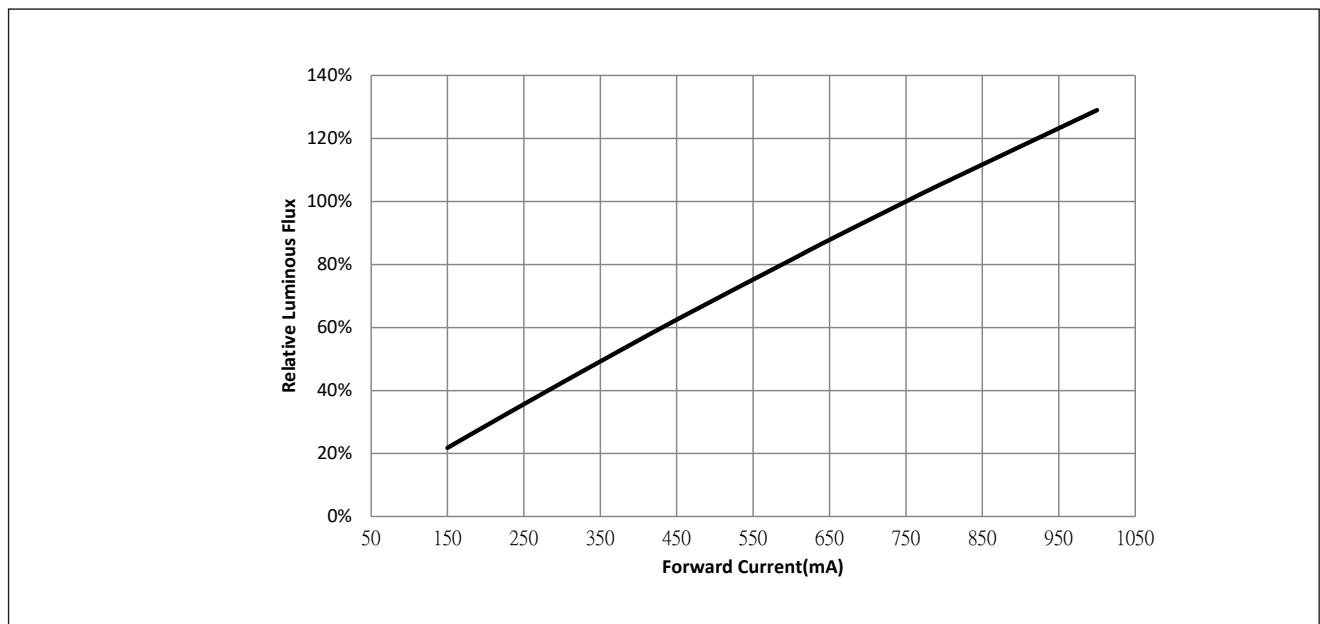


# Performance Curves

**Figure 2: Drive Current vs. Voltage ( $T_{sp}=25^{\circ}\text{C}$ )**



**Figure 3: Typical Relative Luminous Flux vs. Drive Current ( $T_{sp}=25^{\circ}\text{C}$ )**



Note for Figure 3:

1. Bridgelux does not recommend driving high power LEDs at low currents. Doing so may produce unpredictable results. Pulse width modulation (PWM) is recommended for dimming effects.

# Performance Curves

Figure 4: Typical Relative DC Flux vs. Solder Point Temperature

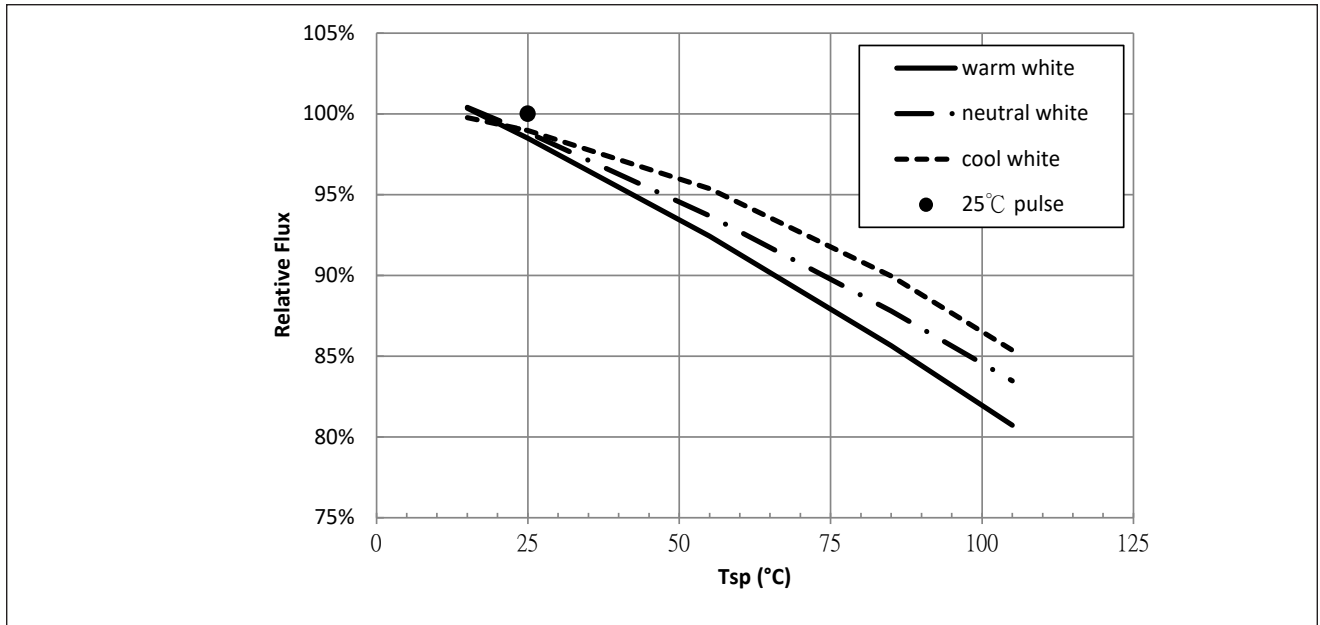
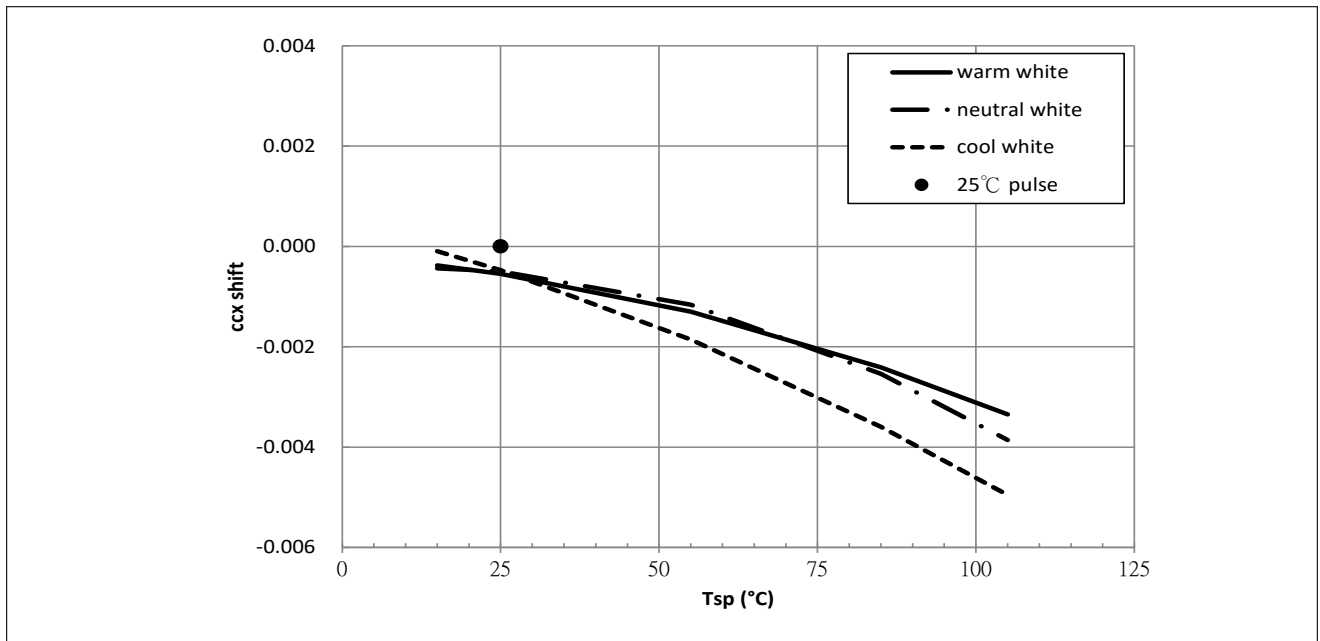


Figure 5: Typical DC ccx Shift vs. Solder Point Temperature

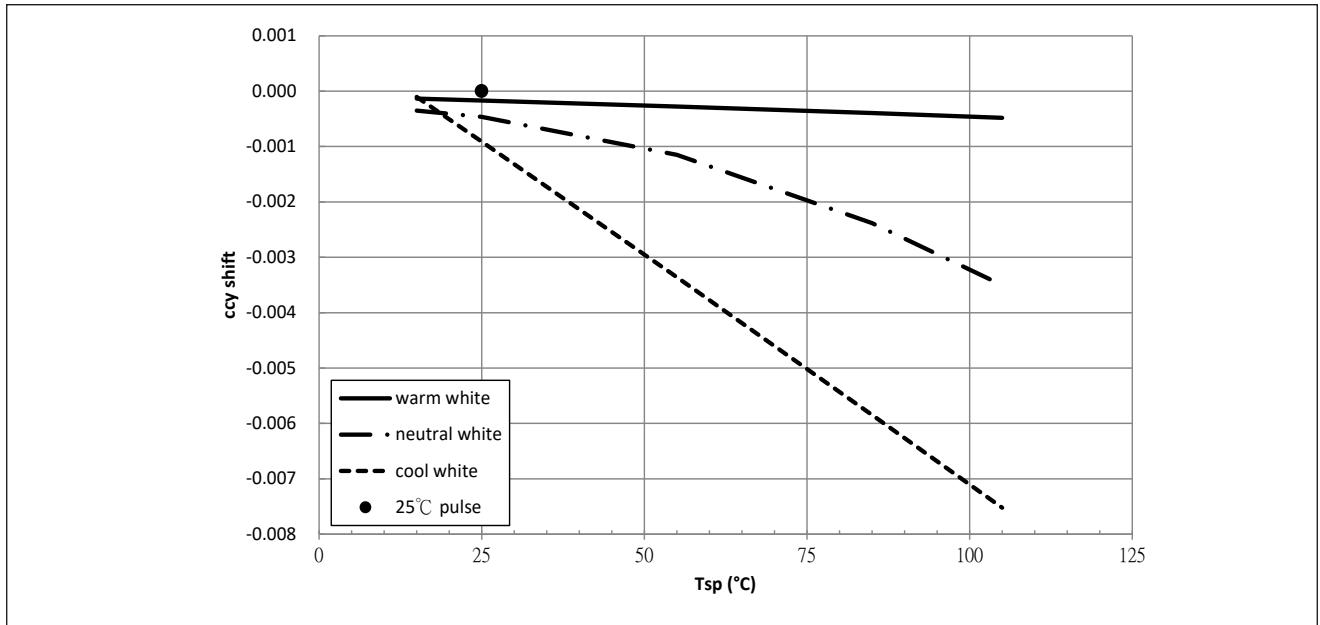


Notes for Figures 4 & 5:

1. Characteristics shown for warm white based on 3000K.
2. Characteristics shown for neutral white based on 4000K.
3. Characteristics shown for cool white based on 5700K.
4. For other color SKUs, the shift in color will vary. Please contact your Bridgelux Sales Representative for more information.

# Performance Curves

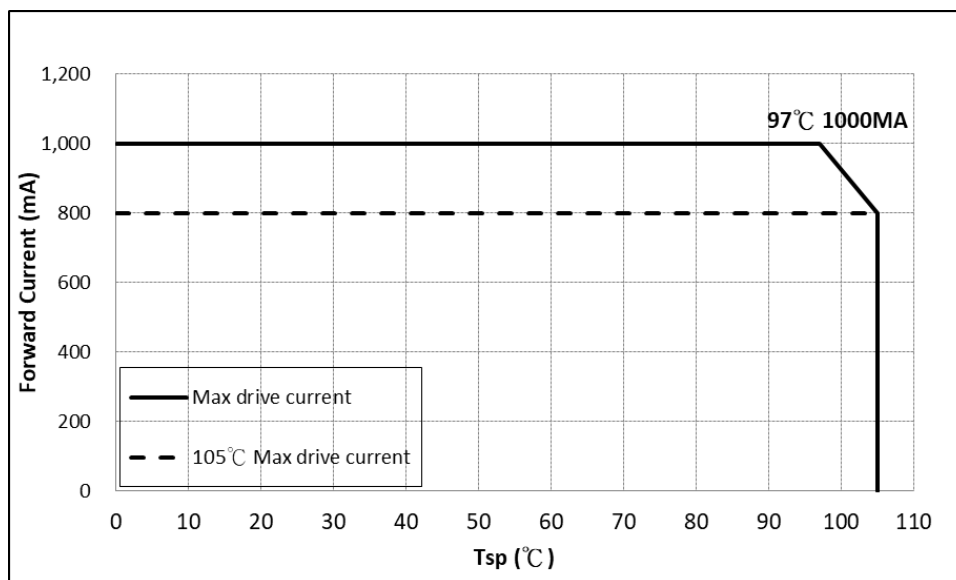
**Figure 6: Typical DC ccy Shift vs. Solder Point Temperature**



Notes for Figure 6:

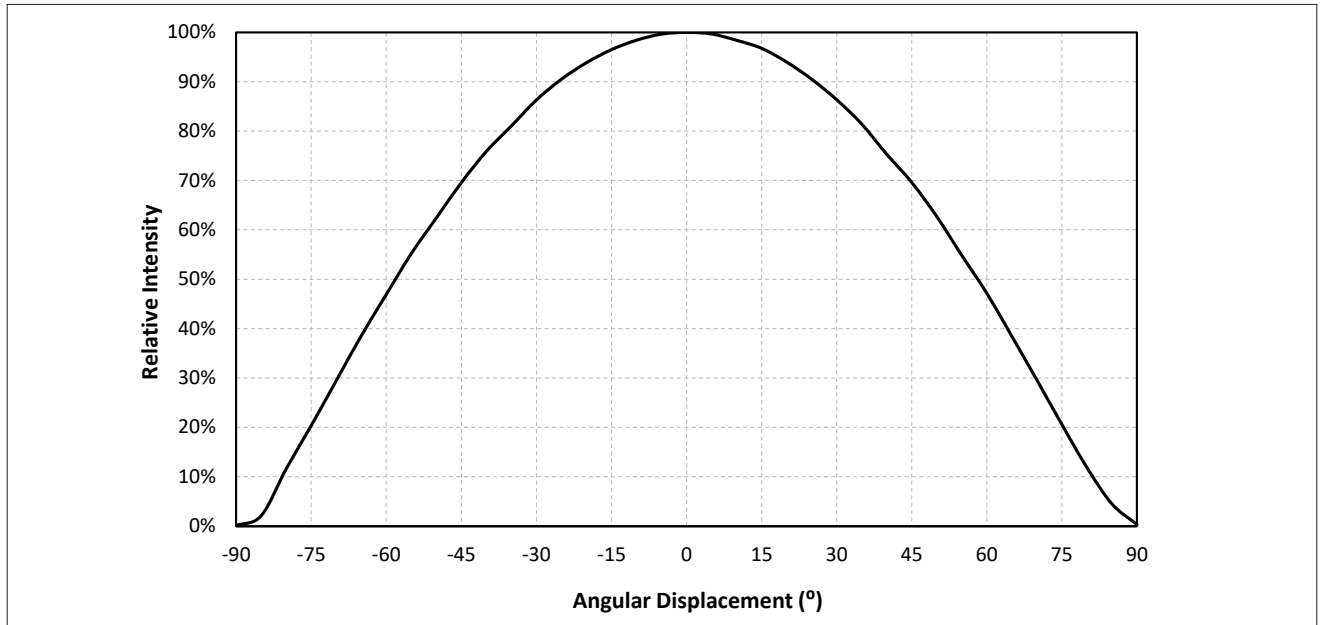
1. Characteristics shown for warm white based on 3000K.
2. Characteristics shown for neutral white based on 4000K.
3. Characteristics shown for cool white based on 5700K.
4. For other color SKUs, the shift in color will vary. Please contact your Bridgelux Sales Representative for more information.

**Figure 7: Drive Current Derating Curve**



# Typical Radiation Pattern

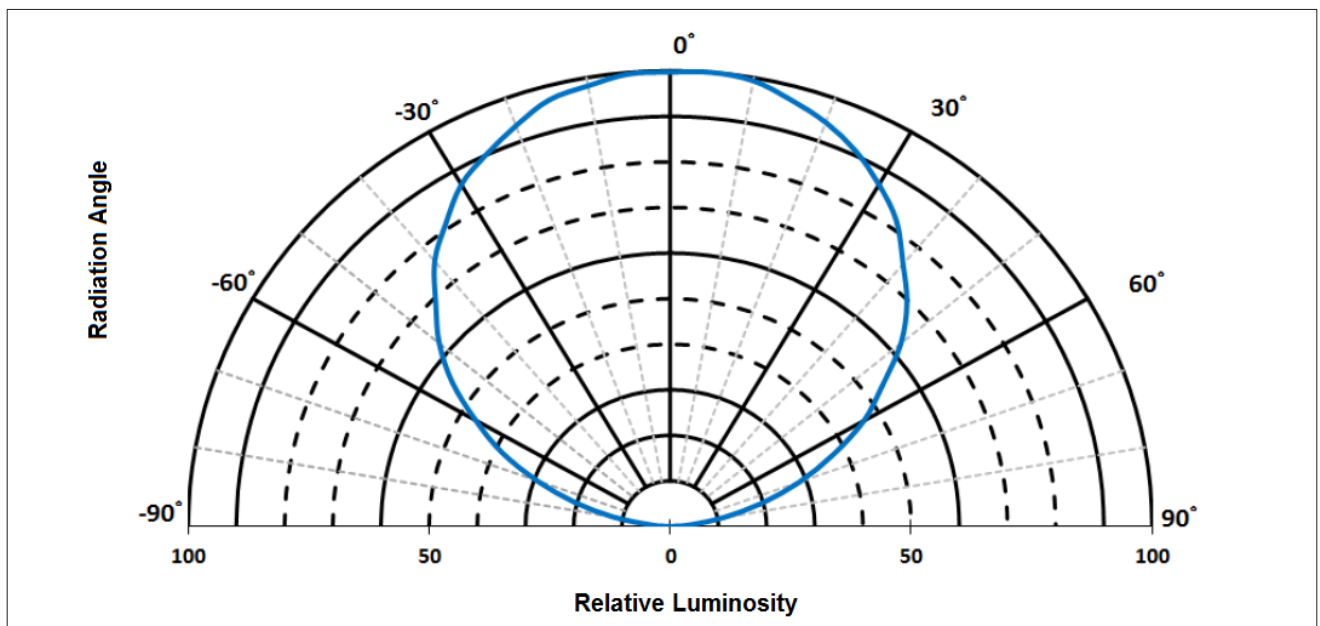
Figure 8: Typical Spatial Radiation Pattern at 750mA,  $T_{sp} = 25^{\circ}\text{C}$



Notes for Figure 8:

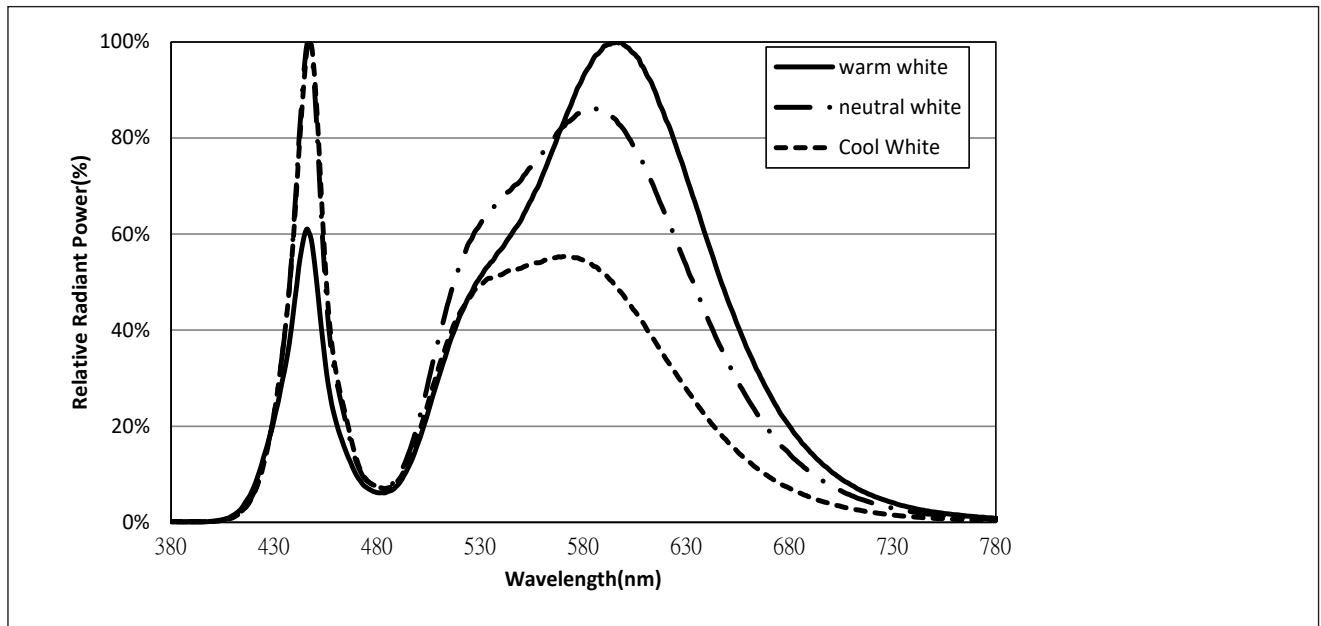
1. Typical viewing angle is  $116^{\circ}$ .
2. The viewing angle is defined as the off axis angle from the centerline where luminous intensity (lv) is  $\frac{1}{2}$  of the peak value.

Figure 9: Typical Polar Radiation Pattern at 750mA,  $T_{sp} = 25^{\circ}\text{C}$



# Typical Color Spectrum

Figure 10: Typical Color Spectrum

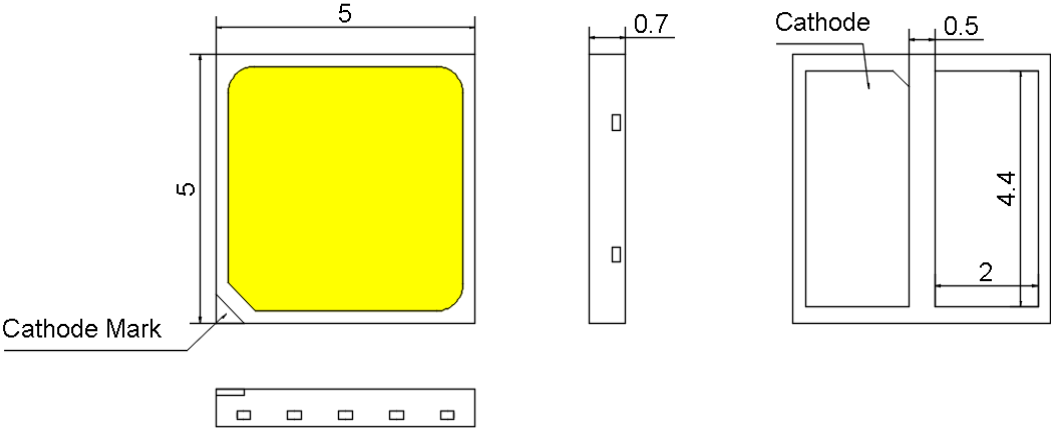


Notes for Figure 10:

1. Color spectra measured at nominal current for  $T_{sp} = 25^{\circ}\text{C}$
2. Color spectra shown for warm white is 3000K
3. Color spectra shown for neutral white is 4000K
4. Color spectra shown for cool white is 5700K

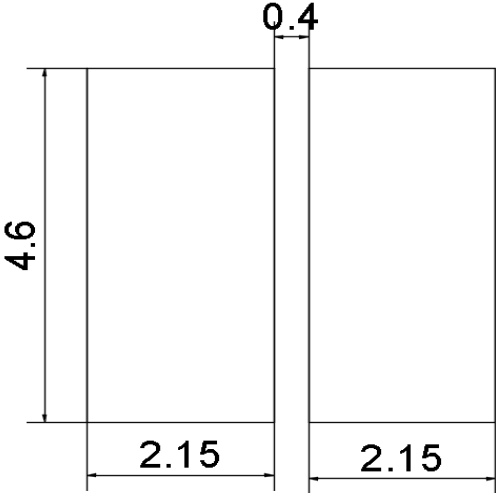
# Mechanical Dimensions

Figure 11: Drawing for SMD 5050



- Notes for Figure 11:
- 1. Drawings are not to scale.
  - 2. Drawing dimensions are in millimeters.
  - 3. Unless otherwise specified, tolerances are  $\pm 0.10\text{mm}$ .

### Recommended PCB Soldering Pad Pattern





# Reliability

**Table 9:** Reliability Test Items and Conditions

No.	Items	Reference Standard	Test Conditions	Drive Current	Test Duration	Units Failed/ Tested
1	Moisture/Reflow Sensitivity	J-STD-020E	$T_{\text{slid}} = 260^{\circ}\text{C}$ , 10sec, Precondition: $60^{\circ}\text{C}$ , 60%RH, 168hr	-	3 reflows	0/22
2	Low Temperature Storage	JESD22-A119	$T_{\text{a}} = -40^{\circ}\text{C}$	-	1000 hours	0/22
3	High Temperature Storage	JESD22-A103D	$T_{\text{a}} = 105^{\circ}\text{C}$	-	1000 hours	0/22
4	Low Temperature Operating Life	JESD22-A108D	$T_{\text{a}} = -40^{\circ}\text{C}$	750mA	1000 hours	0/22
5	Temperature Humidity Operating Life	JESD22-A101C	$T_{\text{sp}} = 85^{\circ}\text{C}$ , RH=85%	750mA	1000 hours	0/22
6	High Temperature Operating Life	JESD22-A108D	$T_{\text{sp}} = 105^{\circ}\text{C}$	750mA	1000 hours	0/22
7	Power switching	IEC62717:2014	$T_{\text{sp}} = 105^{\circ}\text{C}$ 30 sec on, 30 sec off	750mA	30000 cycles	0/22
8	Thermal Shock	JESD22-A106B	$T_{\text{a}} = -40^{\circ}\text{C} \sim 100^{\circ}\text{C}$ ; Dwell : 15min; Transfer: 10sec	-	200 cycles	0/22
9	Temperature Cycle	JESD22-A104E	$T_{\text{a}} = -40^{\circ}\text{C} \sim 100^{\circ}\text{C}$ ; Dwell at extreme temperature: 15min; Ramp rate < $105^{\circ}\text{C}/\text{min}$	-	200 cycles	0/22
10	Electrostatic Discharge	JS-001-2012	HBM, 2kV, 15k $\Omega$ , 100pF, Alternately positive or negative	-	-	0/22

## Passing Criteria

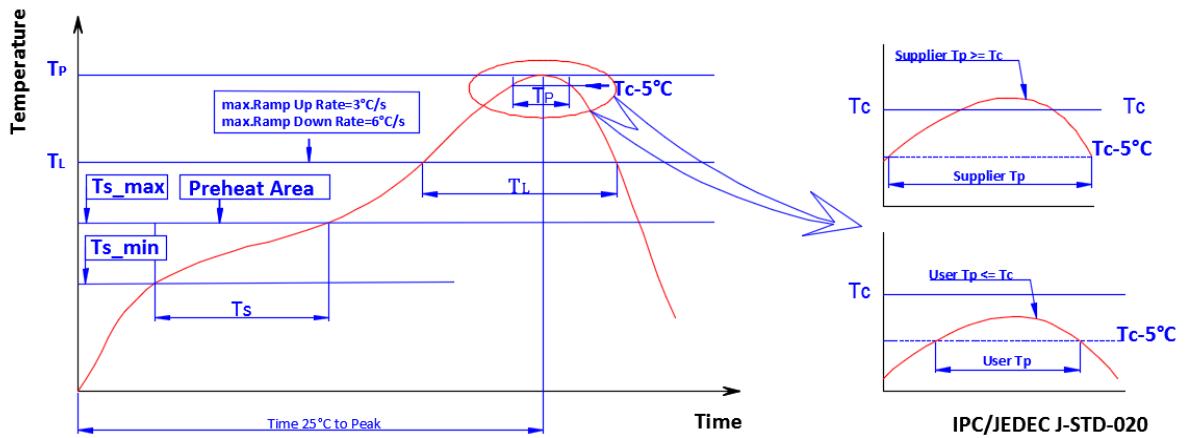
Item	Symbol	Test Condition	Passing Criteria
Forward Voltage	Vf	750mA	$\Delta V_f < 10\%$
Luminous Flux	Fv	750mA	$\Delta F_v < 30\%$
Chromaticity Coordinates	(x, y)	750mA	$\Delta u'v' < 0.007$

Notes for Table 9:

- Measurements are performed after allowing the LEDs to return to room temperature
- $T_{\text{slid}}$  : reflow soldering temperature;  $T_{\text{a}}$  : ambient temperature

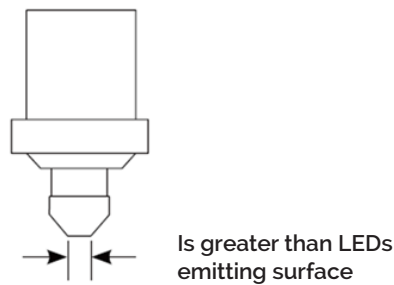
# Reflow Characteristics

Figure 12 : Reflow Profile



Profile Feature	Lead Free Assembly
Temperature Min. (Ts_min)	160°C
Temperature Max. (Ts_max)	205°C
Time (ts) from Ts_min to Ts_max	60-150 seconds
Ramp-Up Rate (TL to Tp)	3 °C/second
Liquidus Temperature (TL)	220 °C
Time (TL) Maintained Above TL	60-150 seconds
Peak Temp( Tp)	260 °C max.
Time (Tp) Within 5 °C of the Specified Classification Temperature (Tc)	25 seconds max.
Ramp-Down Rate (Tp to TL)	5 °C/second max.
Time 25 °C to Peak Temperature	10 minutes max.

Figure 13: Pick and Place

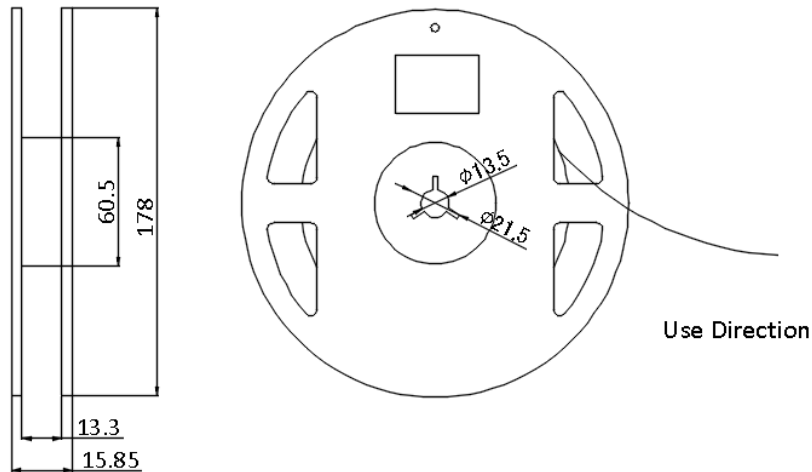


Note for Figure 13:

1. When using a pick and place machine, choose a nozzle that has a larger diameter than the LED's emitting surface. Using a Pick-and-Place nozzle with a smaller diameter than the size of the LEDs emitting surface will cause damage and may also cause the LED to not illuminate.

# Packaging

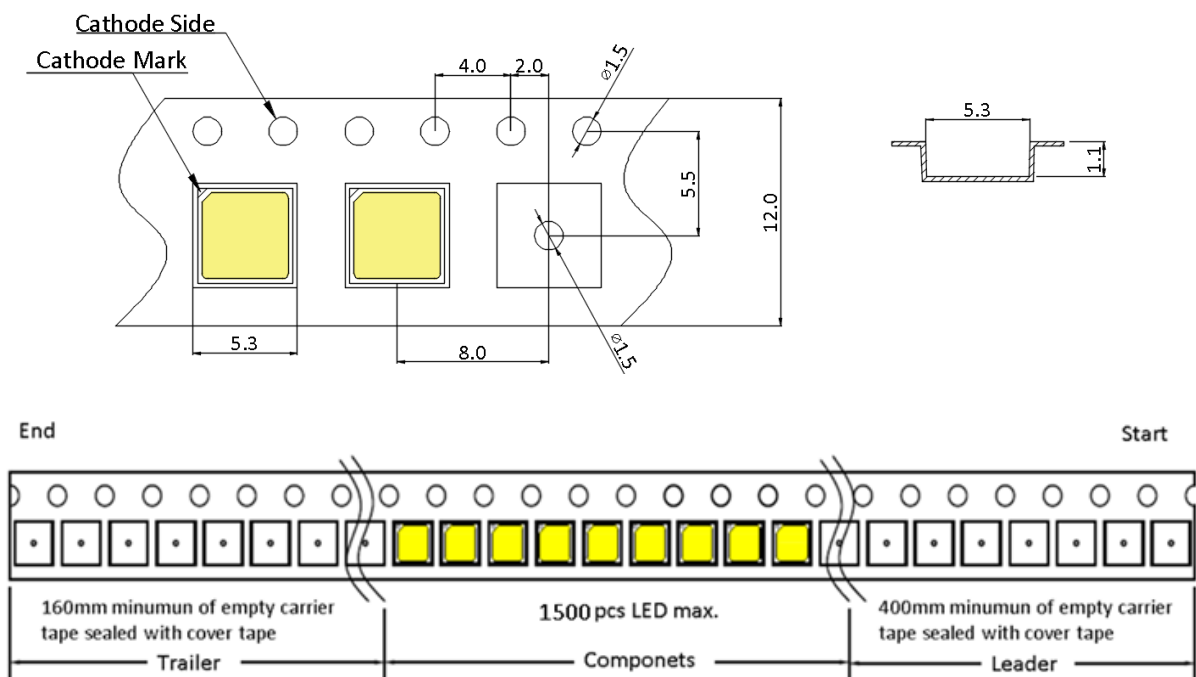
**Figure 14: Emitter Reel Drawings**



Note for Figure 14:

1. Drawings are not to scale. Drawing dimensions are in millimeters.

**Figure 15: Emitter Tape Drawings**

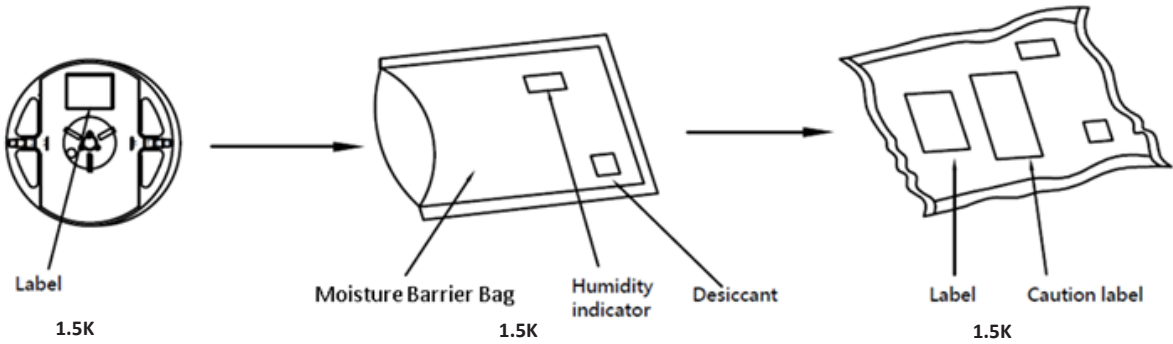


Note for Figure 15:

1. Drawings are not to scale. Drawing dimensions are in millimeters.

# Packaging

Figure 16: Emitter Reel Packaging Drawings



Note for Figure 16:  
1. Drawings are not to scale.

# Design Resources

Please contact your Bridgelux sales representative for assistance.

## Precautions

### **CAUTION: CHEMICAL EXPOSURE HAZARD**

Exposure to some chemicals commonly used in luminaire manufacturing and assembly can cause damage to the LED emitter. Please consult Bridgelux Application Note AN51 for additional information.

### **CAUTION: EYE SAFETY**

Eye safety classification for the use of Bridgelux SMD LED emitter is in accordance with IEC specification EN62471: Photobiological Safety of Lamps and Lamp Systems. SMD LED emitters are classified as Risk Group 2 when operated at or below the maximum drive current. Please use appropriate precautions. It is important that employees working with LEDs are trained to use them safely.

### **CAUTION: RISK OF BURN**

Do not touch the SMD LED emitter during operation. Allow the emitter to cool for a sufficient period of time before handling. The SMD LED emitter may reach elevated temperatures such that could burn skin when touched.

## CAUTION

### **CONTACT WITH LIGHT EMITTING SURFACE (LES)**

Avoid any contact with the LES. Do not touch the LES of the emitter or apply stress to the LES (yellow phosphor resin area). Contact may cause damage to the emitter

Optics and reflectors must not be mounted in contact with the LES (yellow phosphor resin area).

## Disclaimers

### **MINOR PRODUCT CHANGE POLICY**

The rigorous qualification testing on products offered by Bridgelux provides performance assurance. Slight cosmetic changes that do not affect form, fit, or function may occur as Bridgelux continues product optimization.

### **STANDARD TEST CONDITIONS**

Unless otherwise stated, LED emitter testing is performed at the nominal drive current.

# About Bridgelux: Bridging Light and Life™

At Bridgelux, we help companies, industries and people experience the power and possibility of light. Since 2002, we've designed LED solutions that are high performing, energy efficient, cost effective and easy to integrate. Our focus is on light's impact on human behavior, delivering products that create better environments, experiences and returns—both experiential and financial. And our patented technology drives new platforms for commercial and industrial luminaires.

**For more information about the company, please visit**  
**bridgelux.com**  
**twitter.com/Bridgelux**  
**facebook.com/Bridgelux**  
**youtube.com/user/Bridgelux**  
**https://www.linkedin.com/company/bridgelux-inc-\_2**  
**WeChat ID: BridgeluxInChina**



46410 Fremont Boulevard  
Fremont, CA 94538, USA  
Tel (925) 583-8400  
**www.bridgelux.com**

© 2023 Bridgelux, Inc. All rights reserved 2023. Product specifications are subject to change without notice. Bridgelux and the Bridgelux stylized logo design are registered trademarks of Bridgelux, Inc. All other trademarks are the property of their respective owners.