

Product Overview  
2019



# Contents

- 1 Bridgelux Overview
- 2 Color Point Portfolio
- Arrays**
- 4 Vero® Series
- 6 Vero® SE Series
- 8 V Series™
- 10 V Series™ HD
- 12 E Series
- Modules**
- 14 EB Series™
- 16 IB Series™
- Dynamic Lighting Solutions**
- 18 Vesta® Series
- 20 Vesta® Flex
- Surface Mount**
- 22 SMD Products
- 25 LED Chips
- 26 Mechanical Dimensions



## Bridging Light and Life™

At Bridgelux, we help companies, industries and people experience the power and possibility of light. Since 2002, we've designed solid-state lighting solutions that are high performance, energy efficient, cost effective and easy to integrate.

### The industry is changing. We keep you ahead.

It's a rapidly growing market, and everything we do is focused on understanding the impact of light on human behavior, and delivering products that create better environments and experiences.

From our successful Vero® Series to our latest SMD products, Bridgelux is driving new platforms on a global basis. As a vertically integrated company, our process is agile so we can quickly scale to address our customers' needs whether they're a lighting specifier, fixture manufacturer or luminaire distributor.

### We are dedicated to the quality of light.

- 15+ years of driving industry transformation
- 1500+ global customers
- Technology leader with 1000+ patents licensed
- Customer centric, vertically integrated expertise
- Products designed for IoT
- Application specific white points
- Ultra-high CRI and Class A white points\*
- Industry leading R-values\*
- First 10 year LED light source warranty for Vero® Series
- Zhaga and DLC Premium compatible\*
- World-class application support and testing services
- Worldwide industry association memberships
- Extensive ecosystem partner network

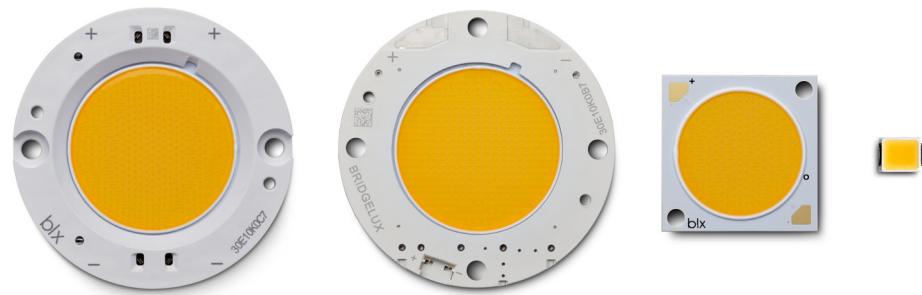
\*Select products



# Color Point Portfolio

Light and color are powerful media that influence experience and well-being while offering functional and inspiring palettes. Bridgelux has a large portfolio of LED color points with unmatched quality and brilliant and natural color rendering options, including:

- Décor Series: State-of-the-art color points designed for environments
- Horticulture: Color points optimal for all stages of plant growth with leading PPF and spectra
- Thrive: High efficacy 95 CRI, low blue spectra solution that mimics the sun



## INDUSTRY LEADING R9s

Industry Leading R-Values					
Bridgelux Color Point	CCT	CRI (R <sub>9</sub> )	R <sub>9</sub>	R <sub>z</sub>	R <sub>f</sub>
30S	3000K	95	98	103	96
30G	3000K	90	50	103	89
30H	3000K	97 (typ.)	93	103	93
30A	3000K	93 (typ.)	95	109	89

Note: Please refer to product data sheets online for additional performance data

## R-Values for Thrive

Bridgelux Color Point	CCT	CRI (R <sub>9</sub> )	R <sub>9</sub>	R <sub>z</sub>	R <sub>f</sub>
27S	2700K	98 (typ.)	95	102	96
30S	3000K	97 (typ.)	99	103	96
40S	4000K	97 (typ.)	96	99	96
50S	5000K	98 (typ.)	96	100	98

Note: Please refer to product data sheets online for additional performance data

## TLCI VALUE FOR ENTERTAINMENT

- Décor Entertainment 5600K 90 CRI: 93
- Décor Entertainment 5600K 97 CRI: 97

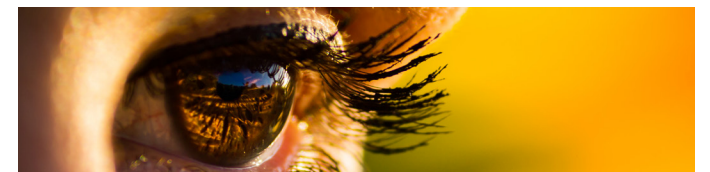
## HORTICULTURE COLOR POINTS

Horticulture Applicable Bridgelux Color Points				
Bridgelux Color Point	CCT	CRI (R <sub>9</sub> )	PPF Range @ Pulsed T <sub>a</sub> =25°C (μmol/s)	Average Photon Efficiency @ Pulsed T <sub>a</sub> =25°C (μmol/J)
56G	5000K	90	69-271	2.2
30A	3000K	93 (typ.)	19-257	2.1
35A	3500K	93 (typ.)	19-256	2.1
56H	5600K	97 (typ.)	60-153	2.0
27H	2700K	97 (typ.)	17-143	1.9
30H	3000K	97 (typ.)	17-146	1.9

Note: Please refer to product data sheets online for additional performance data

## CHROMATICITY

- Décor Series Meat (1750K)
- Décor Series Bread (2500K)
- Décor Series Showcase (3000K)
- Décor Series Outdoor Street & Landmark (2000K)
- Décor Series Class A (3000K)
- Décor Series Class A (3500K)
- Décor Series Class A (4000K)
- Décor Series Entertainment (5600K)
- Horticulture (PPFD)
- Thrive (Human Centric Lighting Spectra) (2700K-6500K)



# Vero® Series



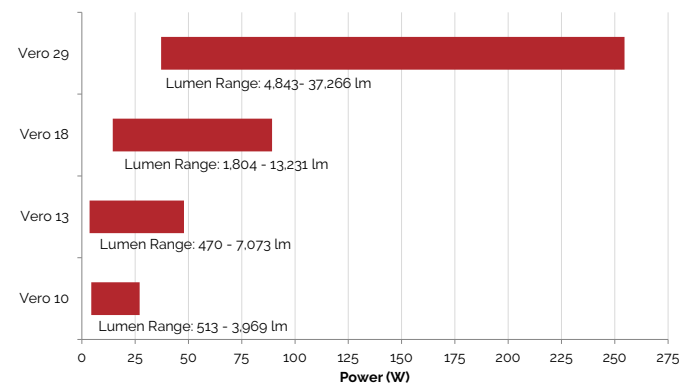
## FEATURES

- On-board connector port
- Efficacy 170 lm/W typical
- 1,000 to 21,000 typical lumen packages
- 36V across a variety of form factors
- Expansive color portfolio: 65-97 CRI, Class A and application specific color points
- Thermally isolated solder pads

## BENEFITS

- Solderless connectivity for plug & play installation
- True color reproduction
- Pure, bright and consistent white light
- Industry standard electrical compatibility
- Color options for general lighting to high-end retail and luxury applications
- Facilitates soldering

## WATTAGE AND FLUX RANGES (NOMINAL TO MAXIMUM)



				Vero 10			Vero 13			Vero 18			Vero 29			
Configuration				B	C	D	B	C	D	B	C	D	B	C	D	
LES size (mm)				9.9			13.2			18.4			29.2			
Nominal Drive Current (mA)				270	360	350	450	630	500	900	1170	1050	1800	1710	2100	
Vf				34.8	34.8	26.0	34.8	34.8	31.8	34.8	34.8	29.0	52.0	69.0	37.6	
Power (W)				9.4	12.5	9.1	15.7	21.9	15.9	31.3	40.7	30.5	93.6	118.0	79.0	
Color Code	CCT (K)	Minimum CRI	Typical Efficacy (lm/W)	Typical Flux (lm)			Typical Efficacy (lm/W)	Typical Flux (lm)			Typical Flux (lm)			Typical Flux (lm)		
27E	2700K	80	155	1458	1944	1412	160	2506	3508	2544	5011	6515	4872	14976	18878	12634
27G (xx0H)	2700K	90	133	1249	1665	1209	137	2145	3004	2178	4291	5578	4172	12823	16165	10818
27G	2700K	90	128	1203	1604	1165	132	2067	2894	2099	4134	5375	4019	12355	15575	10423
30C	3000K	70	173	1622	2163	1571	178	2787	3902	2830	5575	7247	5420	16661	21002	14055
30E	3000K	80	165	1549	2066	1501	170	2662	3727	2703	5324	6922	5177	15912	20058	13423
30G (xx0H)	3000K	90	140	1312	1750	1271	144	2255	3157	2290	4510	5863	4385	13478	16991	11370
30G	3000K	90	134	1258	1677	1218	138	2161	3026	2194	4322	5619	4202	12917	16283	10896
35E	3500K	80	169	1586	2114	1536	174	2725	3815	2767	5450	7085	5298	16286	20530	13739
35G	3500K	90	139	1303	1738	1262	143	2239	3135	2274	4479	5822	4354	13385	16873	11291
40C	4000K	70	178	1668	2224	1615	183	2866	4012	2910	5732	7451	5572	17129	21592	14450
40E	4000K	80	170	1595	2127	1545	175	2741	3837	2783	5481	7125	5329	16380	20648	13818
40G	4000K	90	142	1331	1774	1289	146	2286	3201	2321	4573	5945	4446	13666	17227	11528
50C	5000K	70	178	1677	2236	1624	184	2881	4034	2926	5763	7492	5603	17222	21710	14529
50E	5000K	80	172	1613	2151	1562	177	2772	3881	2814	5544	7207	5390	16567	20884	13976
50G	5000K	90	148	1394	1859	1351	153	2396	3354	2433	4792	6230	4659	14321	18052	12081
57C	5700K	70	174	1631	2175	1580	179	2803	3924	2846	5606	7288	5451	16754	21120	14134
57E	5700K	80	165	1549	2066	1501	170	2662	3727	2703	5324	6922	5177	15912	20058	13423
65C	6500K	70	174	1631	2175	1580	179	2803	3924	2846	5606	7288	5451	16754	21120	14134
65E	6500K	80	167	1568	2090	1518	172	2694	3771	2735	5387	7003	5237	16099	20294	13581
17E*	1750K	80	89	-	-	-	92	-	-	-	2881	3746	2801	8611	10855	7264
20B*	2000K	65	152	1431	-	1386	157	-	-	-	-	6392	4781	14695	18524	12397
25E*	2500K	80	148	-	-	-	153	-	-	-	4792	6230	4659	14321	18052	12081
27H*	2700K	97 (typ.)	113	1066	1422	1033	117	1832	2565	1860	3664	4764	3563	-	-	9238
30A*	3000K	93 (typ.)	120	1130	1507	1095	124	1942	2719	1972	3884	5049	3776	11606	14631	9791
30G*	3000K	90	129	1212	-	1174	133	2083	-	2115	4166	-	4050	-	-	-
30H*	3000K	97 (typ.)	121	1139	1519	1103	125	1958	2741	1988	3915	5090	3806	-	-	9870
35A*	3500K	93 (typ.)	128	1203	1604	1165	132	2067	2894	2099	4134	5375	4019	12355	15575	10423
40A*	4000K	93 (typ.)	139	1303	1738	1262	143	2239	3135	2274	4479	5822	4354	13385	16873	11291
40H*	4000K	97 (typ.)	128	1203	1604	1165	132	2067	2894	2099	4134	5375	4019	-	-	10423
56G*	5600K	90	149	-	-	-	154	-	-	-	4823	6270	4689	14414	18170	12160
56H*	5600K	97 (typ.)	135	-	-	-	139	-	-	-	-	-	4233	-	-	10975

\*Vero Series with Décor Series™  
Notes: All measurements are at T<sub>c</sub> = 25°C. Please refer to product data sheets online for additional performance data.

## Vero Series Part Number Reference

Nomenclature	Family		CCT	CRI	Flux Indicator	Color Targeting	Configuration	Generation	Color Bin
Example	BXRC	-	30	E	100	0	- C	- 7	2



# Vero® SE Series



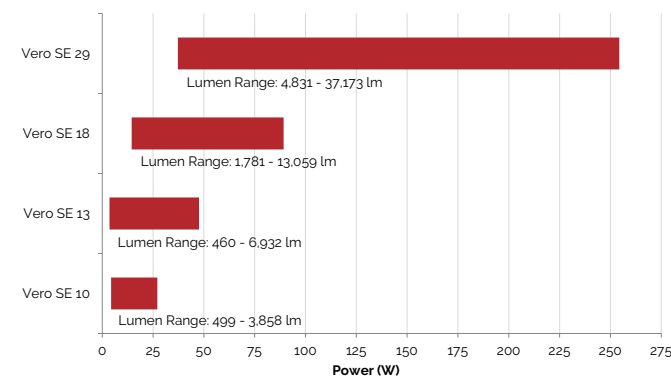
## FEATURES

- Poke-in connectivity
- No exposed solder pads or electrical connections
- Efficacy of 170 lm/W typical
- 1,000 to 21,000 typical lumen packages
- Industry standard 36V across a variety of form factors
- Expansive color portfolio: 65-97 CRI, Class A and application specific color points

## BENEFITS

- Poke-in connectivity enables solderless, connector free installation
- Ability to configure multiple arrays in series and parallel reduces customer driver cost
- High-quality, true color reproduction
- Flexibility in design optimization
- Industry standard electrical compatibility
- Color options for general lighting to high-end retail and luxury applications

## WATTAGE AND FLUX RANGES (NOMINAL TO MAXIMUM)

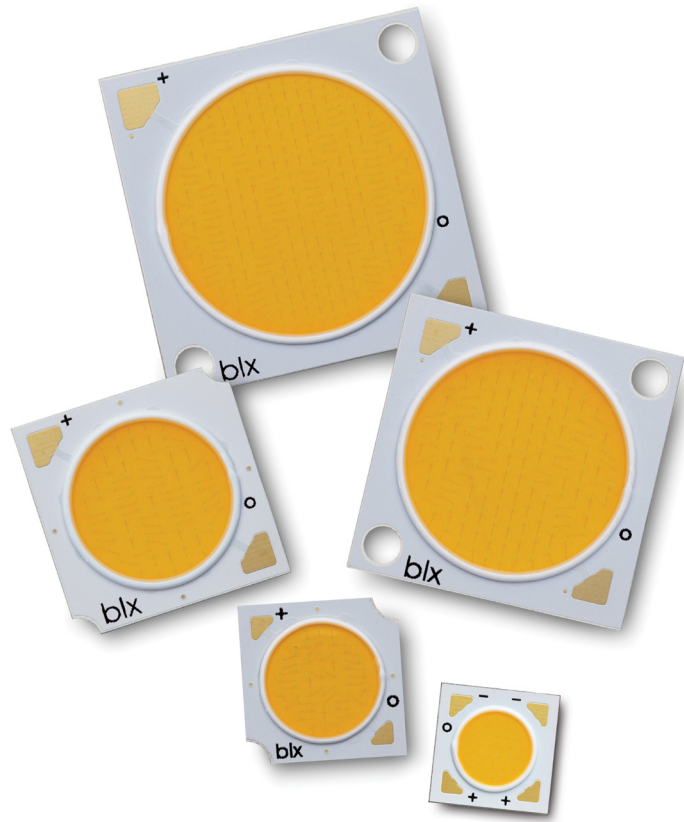


Configuration	Vero SE 10			Vero SE 13			Vero SE 18			Vero SE 29								
	B	C	D	B	C	D	B	C	D	B	C	D						
LES size (mm)	9.9			13.2			18.4			29.2								
Nominal Drive Current (mA)	270	360	350	450	630	500	900	1170	1050	1800	1710	2100						
Vf	34.8	34.8	26.0	34.8	34.8	31.8	34.8	34.8	29.0	52.0	69.0	37.6						
Power (W)	9.4	12.5	9.1	15.7	21.9	15.9	31.3	40.7	30.5	93.6	118.0	79.0						
Color Code	CCT (K)	Minimum CRI	Typical Efficacy (lm/W)	Typical Flux (lm)			Typical Efficacy (lm/W)	Typical Flux (lm)			Typical Efficacy (lm/W)	Typical Flux (lm)						
27E	2700K	80	151	1417	1890	1373	157	2455	3438	2493	158	4911	6384	4775	160	14676	18501	12381
27G (xxOH)	2700K	90	129	1214	1618	1175	134	2103	2944	2135	135	4205	5467	4088	137	12567	15841	10601
27G	2700K	90	124	1169	1559	1133	129	2026	2836	2057	130	4052	5267	3939	132	12108	15263	10214
30C	3000K	70	168	1577	2103	1527	174	2732	3824	2774	176	5463	7102	5312	178	16328	20582	13774
30E	3000K	80	160	1506	2008	1459	167	2609	3653	2649	168	5218	6783	5073	170	15594	19657	13155
30G (xxOH)	3000K	90	136	1276	1701	1235	141	2210	3094	2244	142	4420	5746	4297	144	13209	16651	11143
30G	3000K	90	130	1223	1630	1184	135	2118	2965	2150	136	4236	5506	4118	138	12658	15957	10679
35E	3500K	80	164	1541	2055	1493	171	2670	3738	2711	172	5341	6943	5192	174	15961	20120	13464
35G	3500K	90	135	1267	1689	1227	140	2195	3072	2228	141	4389	5706	4267	143	13117	16535	11065
40C	4000K	70	173	1621	2162	1570	179	2808	3932	2852	181	5617	7302	5461	183	16786	21160	14161
40E	4000K	80	165	1550	2067	1501	172	2686	3760	2727	173	5371	6983	5222	175	16052	20235	13542
40G	4000K	90	138	1293	1725	1253	143	2241	3137	2275	144	4481	5826	4357	146	13392	16882	11298
50C	5000K	70	173	1630	2173	1579	180	2824	3953	2867	182	5648	7342	5491	184	16878	21276	14238
50E	5000K	80	167	1568	2091	1519	173	2716	3803	2758	175	5433	7063	5282	177	16236	20467	13696
50G	5000K	90	144	1355	1807	1313	150	2348	3287	2384	151	4696	6105	4566	153	14034	17691	11839
57C	5700K	70	169	1586	2114	1536	175	2747	3846	2789	177	5494	7142	5342	179	16419	20698	13851
57E	5700K	80	160	1506	2008	1459	167	2609	3653	2649	168	5218	6783	5073	170	15594	19657	13155
65C	6500K	70	169	1586	2114	1536	175	2747	3846	2789	177	5494	7142	5342	179	16419	20698	13851
65E	6500K	80	162	1524	2032	1476	169	2640	3696	2680	170	5279	6863	5133	172	15777	19888	13309
17E*	1750K	80	87	-	-	-	90	-	-	-	91	2819	3664	2741	92	8424	10619	7106
20B*	2000K	65	148	1391	-	1347	154	-	-	-	155	-	6265	4685	157	14401	18154	12149
25E*	2500K	80	144	-	-	-	150	-	-	-	151	4696	6105	4566	153	14034	17691	11839
27H*	2700K	97 (typ.)	110	1036	1382	1004	115	1796	2514	1823	115	3591	4668	3491	117	-	-	9054
30A*	3000K	93 (typ.)	117	1099	1465	1064	122	1903	2664	1932	122	3806	4948	3700	124	11374	14338	9595
30G*	3000K	90	130	1223	-	1184	135	2118	-	2150	136	4236	-	4118	138	-	-	-
30H*	3000K	97 (typ.)	118	1107	1476	1072	123	1918	2686	1948	123	3837	4988	3730	125	-	-	9673
35A*	3500K	93 (typ.)	124	1169	1559	1133	129	2026	2836	2057	130	4052	5267	3939	132	12108	15263	10214
40A*	4000K	93 (typ.)	135	1267	1689	1227	140	2195	3072	2228	141	4389	5706	4267	143	13117	16535	11065
40H*	4000K	97 (typ.)	124	1169	1559	1133	129	2026	2836	2057	130	4052	5267	3939	132	-	-	10214
56G*	5600K	90	145	-	-	-	151	-	-	-	152	4727	6145	4596	154	14126	17807	11917
56H*	5600K	97 (typ.)	131	-	-	-	136	-	-	-	137	-	-	4148	139	-	-	10756

\*Vero SE Series with Décor Series™  
Notes: All measurements are at T<sub>c</sub> = 25°C. Please refer to product data sheets online for additional performance data.

Vero SE Series Part Number Reference												
Nomenclature	Family		CCT	CRI	Flux Indicator	Color Targeting	Configuration	Generation	Color Bin	Special Edition		
Example	BXRC	-	30	E	100	0	-	C	-	7	2	SE

# V Series™



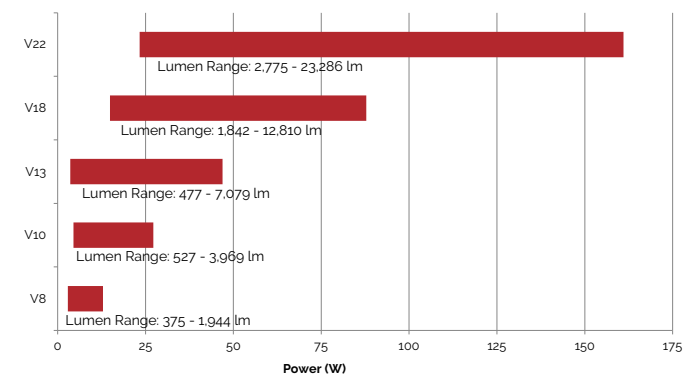
## FEATURES

- Designed for cost sensitive applications
- Efficacy 170 lm/W typical
- 1,000 to 13,000 typical lumen packages
- 36V across a variety of form factors
- Expansive color portfolio: 65-97 CRI, Class A and specific color points

## BENEFITS

- Superior lumen per dollar
- True color reproduction
- Pure, bright and consistent white light
- Industry standard electrical compatibility
- Color options for general lighting to high-end retail and luxury applications

## WATTAGE AND FLUX RANGES (NOMINAL TO MAXIMUM)



				V8		V10		V13		V18		V22			
Configuration				E	D	B	C	B	C	B	C	B	C	D	
LES size (mm)				8.1		10.2		14.0		19.2		22.6			
Nominal Drive Current (mA)				175	350	270	360	450	630	900	1170	1170	1440	1400	
Vf				34.7	17.3	34.8	34.8	34.8	34.8	34.8	34.8	52.0	52.0	35.0	
Power (W)				6.1	6.1	9.4	12.5	15.7	21.9	31.3	40.7	60.8	74.9	48.6	
Color Code	CCT (K)	Minimum CRI	Typical Efficacy (lm/W)	Typical Flux (lm)		Typical Flux (lm)		Typical Efficacy (lm/W)	Typical Flux (lm)		Typical Flux (lm)		Typical Flux (lm)		
27E	2700K	80	155	942	940	1458	1944	160	2506	3508	5011	6515	9734	11981	7768
27G (xx0H)	2700K	90	133	807	805	1249	1665	137	2145	3004	4291	5578	8335	10259	6651
27G	2700K	90	128	778	775	1203	1604	132	2067	2894	4134	5375	8031	9884	6409
30C	3000K	70	173	1048	1045	1622	2163	178	2787	3902	5575	7247	10830	13329	8642
30E	3000K	80	165	1001	998	1549	2066	170	2662	3727	5324	6922	10343	12730	8254
30G (xx0H)	3000K	90	140	848	846	1312	1750	144	2255	3157	4510	5863	8761	10783	6991
30G	3000K	90	134	813	811	1258	1677	138	2161	3026	4322	5619	8396	10333	6700
35E	3500K	80	169	-	-	1586	2114	174	2725	3815	5450	7085	10586	13029	8448
35G	3500K	90	139	-	-	1303	1738	143	2239	3135	4479	5822	8700	10708	6943
40C	4000K	70	178	1078	1075	1668	2224	183	2866	4012	5732	7451	11134	13703	8885
40E	4000K	80	170	1031	1028	1595	2127	175	2741	3837	5481	7125	10647	13104	8496
40G	4000K	90	142	860	858	1331	1774	146	2286	3201	4573	5945	8883	10932	7088
50C	5000K	70	178	1084	1081	1677	2236	184	2881	4034	5763	7492	11195	13778	8933
50E	5000K	80	172	-	-	1613	2151	177	2772	3881	5544	7207	10769	13254	8593
50G	5000K	90	148	-	-	1394	1859	153	2396	3354	4792	6230	9309	11457	7428
57C	5700K	70	174	-	-	1631	2175	179	2803	3924	5606	7288	10890	13404	8690
57E	5700K	80	165	-	-	1549	2066	170	2662	3727	5324	6922	10343	12730	8254
65C	6500K	70	174	-	-	1631	2175	179	2803	3924	5606	7288	10890	13404	8690
65E	6500K	80	167	-	-	1568	2090	172	2694	3771	5387	7003	10464	12879	8351
17E*	1750K	80	89	-	-	-	-	92	-	2017	2881	-	-	-	4467
20B*	2000K	65	152	-	-	1431	-	157	2459	3442	-	6392	-	11756	7622
25E*	2500K	80	148	-	-	-	-	153	-	3354	4792	-	-	-	7428
27H*	2700K	97 (typ.)	113	-	-	1066	-	117	1832	-	3664	4764	-	-	5680
30A*	3000K	93 (typ.)	120	-	-	1130	1507	124	1942	2719	-	-	-	-	-
30G*	3000K	90	129	-	-	1212	1616	133	2083	2916	4166	-	-	-	6457
30H*	3000K	97 (typ.)	121	-	-	1139	1519	125	1958	-	3915	-	-	-	6069
35A*	3500K	93 (typ.)	128	-	-	-	1604	132	2067	-	4134	-	-	-	6409
40A*	4000K	93 (typ.)	139	-	-	-	-	143	2239	3135	-	-	-	-	-
40H*	4000K	97 (typ.)	128	-	-	-	-	132	-	-	-	-	-	-	6409
56G*	5600K	90	149	-	-	-	-	154	-	-	-	-	-	-	7477
56H*	5600K	97 (typ.)	135	-	-	-	-	139	-	-	-	-	-	-	-

\*V Series™ with Décor Series™  
Notes: All values are in lumens. All measurements are at T<sub>c</sub> = 25°C. Please refer to product data sheets online for additional performance data.

## V Series Part Number Reference

Nomenclature	Family		CCT	CRI	Flux Indicator	Color Targeting	Configuration	Generation	Color Bin
Example	BXRE	-	30	E	100	0	- A	- 7	3

# V Series™ HD



			V4 HD	V6 HD	V9 HD			
Configuration			A	B	D			
LES size (mm)			5.2	7.0	9.2			
Nominal Drive Current (mA)			175	350	700			
Vf			36.4	36.4	36.4			
Power (W)			6.4	12.7	25.5			
Color Code	CCT (K)	Minimum CRI	Typical Efficacy (lm/W)	Typical Flux (lm)	Typical Efficacy (lm/W)	Typical Flux (lm)	Typical Efficacy (lm/W)	Typical Flux (lm)
27E	2700K	80	115	735	120	1531	129	3282
27G	2700K	90	96	612	100	1274	107	2731
30E	3000K	80	120	764	125	1593	134	3414
30G	3000K	90	100	636	104	1325	112	2842
35E	3500K	80	124	789	129	1644	138	3524
35G	3500K	90	103	656	107	1366	115	2930
40E	4000K	80	125	794	130	1654	139	3546
40G	4000K	90	107	681	111	1418	119	3040
27H*	2700K	97 (typ.)	93	592	97	1233	104	2643
30G (Showcase)*	3000K	97 (typ.)	84	533	87	1110	93	2379
30H*	3000K	97 (typ.)	89	567	93	1182	99	2533
30A*	3000K	93 (typ.)	90	575	94	1197	101	2566
35A*	3500K	93 (typ.)	97	618	101	1287	108	2759
40A*	4000K	93 (typ.)	104	661	108	1377	116	2951

\*V Series™ HD with Décor Series™  
Notes: All values are in lumens. All measurements are at T<sub>c</sub> = 25°C. Please refer to product data sheets online for additional performance data.



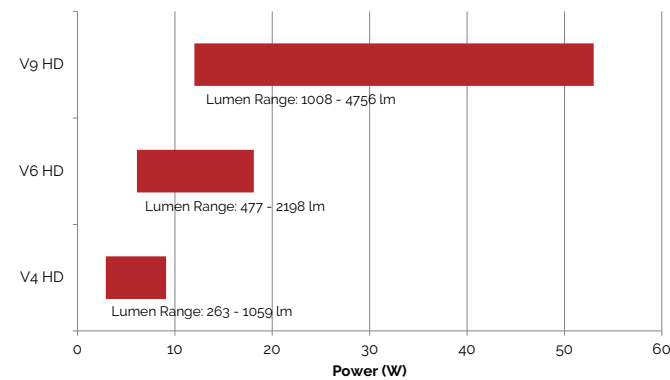
## FEATURES

- Ultra-high lumen density & center beam candle power
- Available in variety of color points including Décor Series™ Class A (CRI g3) and Décor Series Ultra (CRI g7)
- Significantly reduced thermal resistance
- Industry leading color over angle uniformity

## BENEFITS

- Enables compact fixture design, lowers operating costs
- Reliable use at elevated currents enables greater design flexibility
- High-quality, true color reproduction
- 2x the lifetime of ceramic metal halides

## WATTAGE AND FLUX RANGES (NOMINAL TO MAXIMUM)



## V Series HD Part Number Reference

Nomenclature	Family		CCT	CRI	Flux Indicator	Color Targeting		Configuration		Generation		Color Bin
Example	BXRH	-	30	E	60	0	-	A	-	7		3

# E Series\*



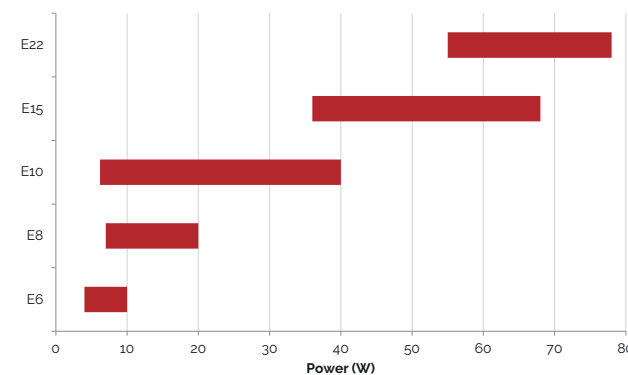
## FEATURES

- Wide range of performance from 460 to 8220 lm with CCT options from 2700K – 6500K
- Compact, high flux density light source
- Uniform, high quality illumination
- Streamlined thermal path
- ENERGY STAR® / ANSI compliant color binning structure with 3 and 5 SDCM options
- Industry standard DC voltage operation

## BENEFITS

- Supports most general lighting applications
- Enables tight beam control when used with secondary optics
- Clean white light without pixilation
- Low thermal resistance
- Design flexibility to support product differentiation based on efficacy and cost
- Aligns with commonly available drivers to reduce system costs

## WATTAGE AND FLUX RANGES (NOMINAL TO MAXIMUM)



Configuration	E6			E8		E10				E15		E22							
	A	B	D	B	D	A	B	C	D	D	F	H							
LES size (mm)	6	6	6	8	8	10	10	10	10	15	15	22							
Nominal Drive Current (mA)	100	200	400	200	400	160	320	480	720	720	960	1440							
Vf	36.0	18.0	9.0	36.0	18.0	38.5	38.0	37.3	38.7	38.7	38.0	38.7							
Power (W)	3.6	3.6	3.6	7.2	7.2	6.2	12.2	17.9	27.9	27.9	36.5	55.7							
Color Code	CCT (K)	Minimum CRI	Typical Efficacy (lm/W)	Typical Flux (lm)	Typical Flux (lm)	Typical Flux (lm)	Typical Efficacy (lm/W)	Typical Flux (lm)	Typical Flux (lm)	Typical Efficacy (lm/W)	Typical Flux (lm)	Typical Flux (lm)	Typical Efficacy (lm/W)	Typical Flux (lm)	Typical Flux (lm)	Typical Efficacy (lm/W)	Typical Flux (lm)		
27E	2700K	80	123 (A/B/D)	443	443	443	126 (B/D)	910	910	116 (A/B/C) 108 (D)	716	1420	2083	3005	112 (D) 114 (F)	3130	4167	113	6313
27G	2700K	90	102 (A/B/D)	368	368	368	105 (B/D)	757	757	94 (A) 95 (B) 94 (C) 90 (D)	580	997	1461	2199	93 (D) 95 (F)	2603	3467	94	5251
30E	3000K	80	128 (A/B/D)	461	461	461	132 (B/D)	950	950	122 (A) 123 (B) 122 (C) 122 (D)	750	1490	2178	3130	117 (D) 119 (F)	3260	4341	118	6576
30G	3000K	90	106 (A/B/D)	383	383	383	109 (B/D)	787	787	98 (A) 99 (B) 98 (C) 93 (D)	603	1200	1753	2598	93 (D) 95 (F)	2706	3603	98	5458
35E	3500K	80	132 (A/B/D)	475	475	475	136 (B/D)	977	977	126 (A) 127 (B) 126 (C) 116 (D)	775	1540	2254	3224	121 (D) 123 (F)	3358	4471	122	6773
35G	3500K	90	110 (A/B/D)	397	397	397	113 (B/D)	816	816	108 (A) 102 (B) 101 (C) 96 (D)	670	1240	1814	2676	103 (D) 102 (F)	2869	3711	101	5622
40E	4000K	80	133 (A/B/D)	477	477	477	137 (B/D)	986	986	127 (A) 127 (B) 126 (C) 117 (D)	780	1545	2261	3254	122 (D) 124 (F)	3390	4515	123	6839
40G	4000K	90	114 (A/B/D)	412	412	412	118 (B/D)	847	847	109 (A) 114 (B) 108 (C) 97 (D)	674	1389	1950	2701	115 (D) 120 (F)	3202	4377	102	5676
50E	5000K	80	137 (A/B/D)	494	494	494	141 (B/D)	1016	1016	127 (A) 128 (B) 127 (C) 120 (D)	783	1555	2273	3354	125 (D) 128 (F)	3925	4652	127	7047
50G	5000K	90	117 (A/B/D)	421	421	421	120 (B/D)	863	863	106 (A) 112 (B) 112 (C) 103 (D)	659	1360	1995	2860	112 (D) 117 (F)	3133	4283	108	6016
56E	5600K	80	142 (A/B/D)	512	512	512	146 (B/D)	1052	1052	128 (A) 129 (B) 128 (C) 125 (D)	790	1570	2299	3474	130 (D) 132 (F)	3619	4819	131	7299
65E	6500K	80	144 (A/B/D)	520	520	520	148 (B/D)	1069	1069	130 (A) 131 (B) 131 (C) 126 (D)	800	1595	2337	3528	132 (D) 134 (F)	3675	4893	133	7412

Notes: All values are in lumens. All measurements are at T<sub>c</sub> = 25°C. Please refer to product data sheets online for additional performance data.

## E Series Part Number Reference

Nomenclature	Product Family	-	CCT	CRI	Flux Indicator	-	Configuration	-	Generation	Color Bin
Example	BXKE	-	30	E	1501	-	B	-	2	

\* E Series is not CE certified.



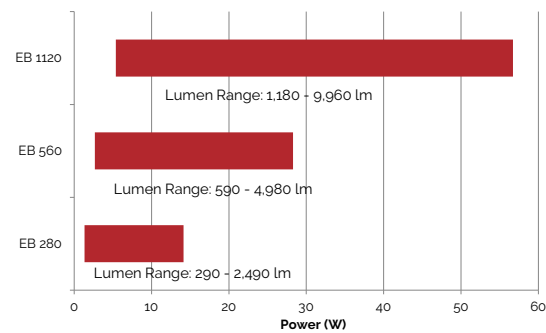
# EB Series™



## FEATURES

- High efficacy of 200 lm/W (nominal)
- Available in both 80 CRI and 90 CRI
- Wide lumen range with 2x overdrive capability
- Available in a variety of color temperatures (2700K-5700K)
- Designed following Zhaga standards L28W2 and L56W2 (EB Series only)

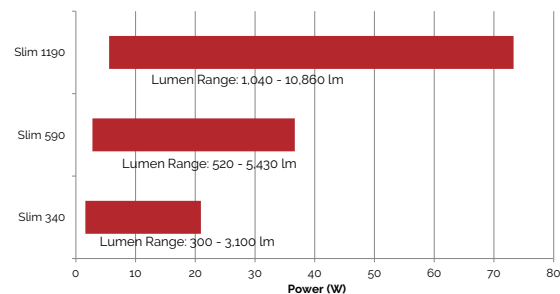
## GEN 3 WATTAGE AND FLUX RANGES (NOMINAL TO)



## BENEFITS

- Achieve over 200 lm/W by under driving
- Easy installation using mounting holes and connectors
- Long lifetime (L80, B50 > 50,000 hours)
- Heatsinking may not be required at low drive currents
- Reliable use at elevated currents for greater design flexibility

## SLIM GEN 3 WATTAGE AND FLUX RANGES (NOMINAL TO MAXIMUM)



## EB SERIES GEN 3

				L0280 Gen 3	L0560 Gen 3	L1120 Gen 3
Nominal Drive Current (mA)				350	700	700
Vf				19.1	19.1	38.3
Power (W)				6.7	13.4	26.8
Color Code	CCT (K)	CRI	Typical Efficacy (lm/W)	Typical Flux (lm)	Typical Flux (lm)	Typical Flux (lm)
27E	2700	80	178	1190	2380	4760
27G	2700	90	155	1045	2085	4160
30E	3000	80	186	1250	2490	4980
30G	3000	90	163	1100	2195	4390
35E	3500	80	186	1250	2490	4980
35G	3500	90	163	1100	2195	4390
40E	4000	80	200	1340	2675	5350
40G	4000	90	163	1100	2195	4390
50E	5000	80	200	1340	2675	5350
50G	5000	90	164	1100	2195	4390

Notes: All measurements are at T<sub>c</sub> = 25°C. Please refer to product data sheets online for additional performance data.

## EB SERIES SLIM GEN 3

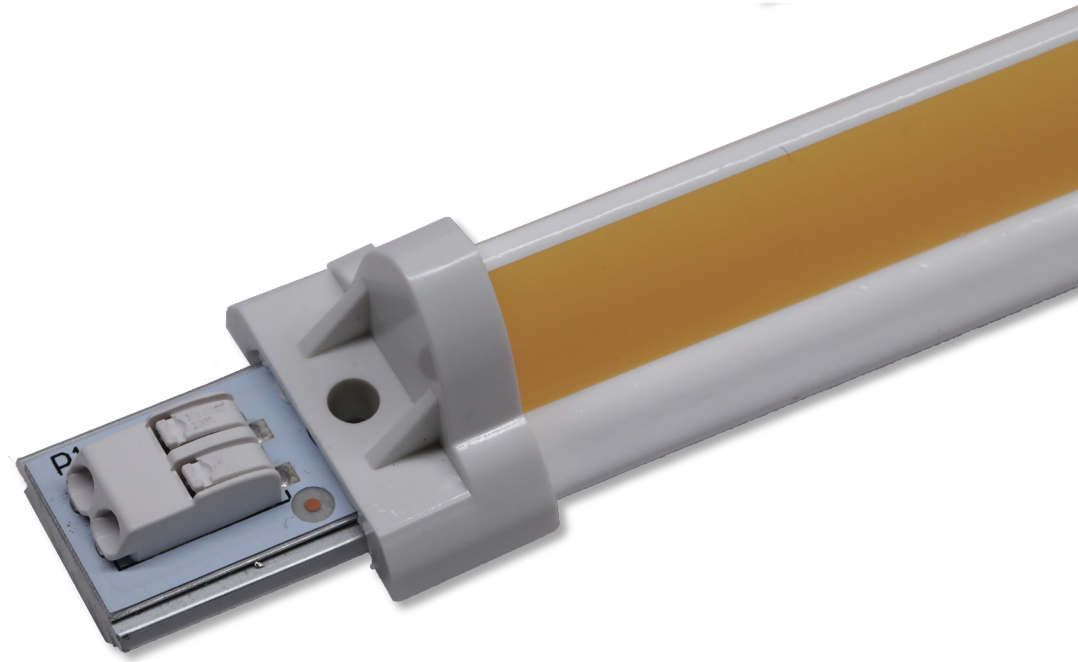
				L0340 Gen 3	L0590 Gen 3	L1190 Gen 3
Nominal Drive Current (mA)				700	700	700
Vf				10.9	19.1	38.2
Power (W)				7.6	13.4	26.8
Color Code	CCT (K)	CRI	Typical Efficacy (lm/W)	Typical Flux (lm)	Typical Flux (lm)	Typical Flux (lm)
27E	2700	80	178	1360	2380	4760
27G	2700	90	156	1190	2085	4160
30E	3000	80	186	1425	2490	4980
30G	3000	90	164	1255	2195	4390
35E	3500	80	186	1425	2490	4980
35G	3500	90	164	1255	2195	4390
40E	4000	80	200	1530	2675	5350
40G	4000	90	164	1255	2195	4390
50E	5000	80	200	1530	2675	5350
50G	5000	90	164	1255	2195	4390

Notes: All measurements are at T<sub>c</sub> = 25°C. Please refer to product data sheets online for additional performance data.

## EB Series Part Number Reference

Nomenclature	Family	Dimension	CCT	CRI	Flux Indicator	Configuration	Generation	Color Bin				
Example	BXEB	-	L0280Z	-	30	E	1000	-	A	-	C	3

# IB Series™



				L0240	L0305	L0508	L0554	L1092
Nominal Drive Current (mA)				350	350	500	500	500
Vf				17.2	22.9	28.6	31.5	42.9
Power (W)				6.0	8.0	14.3	15.7	21.5
Color Code	CCT (K)	CRI	Typical Efficacy (lm/W)	Typical Flux (lm)	Typical Flux (lm)	Typical Flux (lm)	Typical Flux (lm)	Typical Flux (lm)
30E	3000	80	137	805	1090	1920	2200	3000
35E	3500	80	141	830	1120	2000	2250	3100
40E	4000	80	145	865	1160	2070	2300	3160
50E	5000	80	145	865	1160	2070	2300	3160
27G	2700	90	111	660	890	1570	1750	2450
30G	3000	90	118	705	950	1680	1860	2580
35G	3500	90	122	725	975	1720	1915	2660
40G	4000	90	126	750	1000	1800	1990	2770
30H	3000	95	104	610	830	1490	1640	2260
40H	4000	95	114	675	915	1620	1790	2495

Notes: All measurements are at T<sub>c</sub> = 25°C. Please refer to product data sheets online for additional performance data.

IB Series Part Number Reference												
Nomenclature	Family	Dimension	CCT	CRI	Flux Indicator	Configuration	Generation	Color Bin				
Example	BXIB	-	L0240A	-	30	E	800	-	A	-	1	3



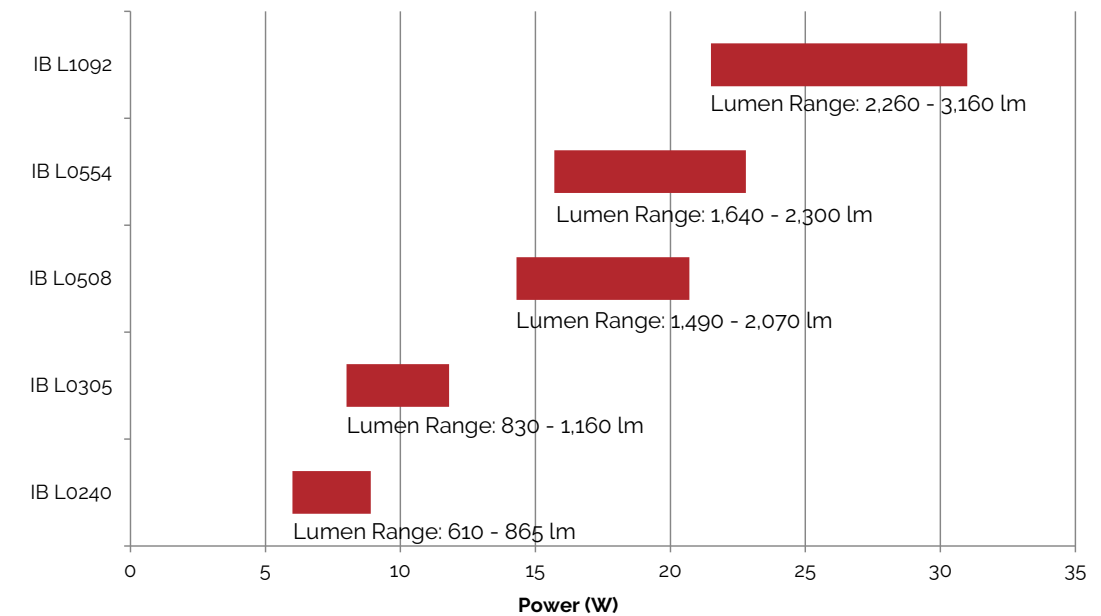
## FEATURES

- Integrated modular solution
- Wide angle 240° FWHM beam pattern
- High CRI with high color fidelity
- Diffuse and uniform emission pattern
- Impact resistant polycarbonate cover
- 3 SDCM color consistency
- Multiple product length options
- 5 Year limited warranty

## BENEFITS

- Accelerates time to market
- Excellent uniformity and fill
- Accurate color rendering
- Glare free non-pixelated lighting
- Protects LEDs from risk of damage
- Uniform, consistent lighting
- Reduced wiring and mounting costs
- Excellent lifetime color consistency

## WATTAGE AND FLUX RANGES (NOMINAL TO MAXIMUM)



# Vesta® Series



## FEATURES

- Comprehensive line of Dim-To-Warm and Tunable White arrays
- CSP and phosphor dispensed arrays for premium applications
- Highly efficient designs with typical efficacies up to 135 lm/W
- Wide flux package range available
- Edge: Slim in-line tunable white module for use in edge lit systems
- Edge: Excellent color mixing with a very short mixing distance
- Edge: Metal core PCB for advanced thermal performance
- Linear: SMD based linear boards for cost effective lighting applications

## BENEFITS

- Superior color dimming transition and mixing
- Compact system design
- Reliable operation through high conductivity substrates
- High-quality, true color reproduction
- Ideal for selectable CCT or human centric lighting applications
- Drop in replacement for 2x2 panel lights and 2x4 troffers
- Reliable use at elevated currents for greater design flexibility

## TUNABLE WHITE ARRAYS

	CSP	CSP	Dispensed Phosphor	Dispensed Phosphor	Dispensed Phosphor	Dispensed Phosphor	Dispensed Phosphor	Dispensed Phosphor
LES Size (mm)	9	13	9	13	15	18	22	29
Nominal Power (W)	12.0	25.0	9.0	18.0	23.0	31.0	47.0	55.0
Nominal Drive Current (mA)	700	700	500	500	650	900	900	1050
Nominal Vf	18.0	36.0	18.0	36.0	35.5	35.0	52.0	52.0
Efficacy (lm/W)	105	106	128	128	128	128	128	128
CCT Range (K)	CRI	Typical Flux (lm)	Typical Flux (lm)	Typical Flux (lm)	Typical Flux (lm)	Typical Flux (lm)	Typical Flux (lm)	Typical Flux (lm)
2700-5000	90	1215 / 1385	2440 / 2750	995 / 1150	2000 / 2280	2595 / 2910	3225 / 3760	5300 / 6000
2700-6500	90	-	-	995 / 1180	2000 / 2335	2595 / 2980	3225 / 4090	5300 / 6200

Notes: measurements are at T<sub>c</sub> = 25°C. Please refer to product data sheets online for additional performance data.

## DIM-TO-WARM ARRAYS

		Dispensed Phosphor	Dispensed Phosphor	Dispensed Phosphor	Dispensed Phosphor	Dispensed Phosphor
LES Size (mm)		9	9	9	13	15
Nominal Power (W)		4.0	6.0	12.0	21.0	33.0
Nominal Drive Current (mA)		250	350	350	600	950
Nominal Vf (V)		17.0	17.0	33.8	33.5	34.2
Efficacy (lm/W)		99	97	97	101	102
CCT Range (K)	CRI	Typical Flux (lm)	Typical Flux (lm)	Typical Flux (lm)	Typical Flux (lm)	Typical Flux (lm)
1800-2700	90 / 95	483 / 353	613 / 494	1240 / 982	2111 / 1668	3400 / 2689
1800-3000	90 / 95	489 / 421	684 / 570	1360 / 1150	2312 / 2028	3725 / 3300

Notes: All measurements are at T<sub>c</sub> = 25°C. Please refer to product data sheets online for additional performance data.

## TUNABLE WHITE LINEAR MODULES

		Linear Tunable White	Linear Tunable White	Edge Tunable White
LES Size (mm)		280 x 31mm	560 x 31mm	570 x 6mm
Nominal Power (W)		12.5	24.5	44.0
Nominal Drive Current (mA)		500	1000	1200
Nominal Vf (V)		24.8	24.8	36.8
Efficacy (lm/W)		135.0	135.0	120
CCT Range (K)	CRI	Typical Flux (lm)	Typical Flux (lm)	Typical Flux (lm)
2700-5000	90	1484 / 1596	2969 / 3192	4950 / 5320

Notes: All measurements are at T<sub>c</sub> = 25°C. Please refer to product data sheets online for additional performance data.

### Vesta Series Arrays Part Number Reference

Nomenclature	Family	Array Type	CCT	CRI	Flux Indicator	Configuration	Generation	Color Bin
Example Tunable White	BXRV	- TR	2750	G	- 1000	- A	2	3
Example Dim-To-Warm	BXRV	- DR	1830	H	- 1000	- A	1	3

### Vesta Series Linear Part Number Reference

Nomenclature	Family	Type	CCT	CRI	Flux Indicator	Configuration	Generation	Color Bin
Example	BXEB	- TL	2750	G	- 1000	- A	1	3

### Vesta Series Edge 570mm Part Number Reference

Nomenclature	Family	Type	Dimension	CCT	CRI	Flux Indicator	Configuration	Generation	Color Bin
Example	BXEB	- TL	L0570A	2750	G	2000	- E	A	3





## FEATURES

- Driver: Industry standard dual channel form factors
- Driver: Interoperable controls
- Driver: 120-277VAC
- Controls: Popular standards met including Bluetooth, Wi-Fi, DALI and 0-10V
- Controls: -20C to +45C ambient temperature
- Controls: Bluetooth and Wi-Fi options include app available on iOS and Android
- Controls: RJ45 terminal for input power & output signal

## BENEFITS

- Large eco system of compatible sensors, switches, gateways, cloud platform
- Compatible with Vesta Series Tunable White parts
- Universal voltage
- Easily compatible with many devices without hubs and other peripherals
- Commission and manage lighting network from an easy to use interface
- Robust connection with the Vesta Flex Driver

## VESTA FLEX DRIVER

Part Number	BXDR-30BT-U214P-01-A	BXDR-60BT-U220P-01-A	BXDR-60LT-U220P-01-A
Size Options	30W Brick	60W Brick	60W Linear
Dimensions	130 x 77 x 30mm	130 x 77 x 30mm	320 x 32 x 28mm
Input	120-277VAC	120-277VAC	120-277VAC
Output	2 independent channels	2 independent channels	2 independent channels
Output Current	programmable, 1400mA (max)	programmable, 2000mA (max)	programmable, 2000mA (max)
Output Voltage	14-43VDC	14-57VDC	14-57VDC
Control Port	Rj45	Rj45	Rj45

## WISCILICA ENABLED BLE CONTROL MODULE

Part Number	BXCS-12B-N2P-01-A
Dimensions	75 x 32 x 20mm
Wireless Communication	Bluetooth low energy (BLE) 4.2
Networking Protocol	WiSilica Bluetooth mesh
Input Power	RJ45
Output Terminal	RJ45

## WIZ ENABLED WIFI CONTROL MODULE

Part Number	BXCS-12W-N2P-01-A
Dimensions	75 x 32 x 20mm
Wireless Communication	WiFi, 2.4GHz
Networking Protocol	Wiz technology WiFi
Input Power	RJ45
Output Terminal	RJ45

## DALI DT8 CONTROL MODULE

Part Number	BXCS-12D-N2P-01-A
Dimensions	50 x 32 x 20mm
Networking Protocol	DALI DT8
Input Power	RJ45
Output Terminal	RJ45

## 0-10V CONTROL MODULE

Part Number	BXCS-12A-N2P-01-A
Dimensions	50 x 32 x 20mm
Networking Protocol	Analog
Input Power	RJ45
Output Terminal	RJ45

## Driver Part Number Reference

Nomenclature	Product Family	Max Power	Form Factor	Connection Type	Input VAC	Output Channels	Max Driver Current	Control Type	Version	Revisions
Vesta Flex Driver	BXDR	30	L	T	U	2	14	P	01	A

## Control Modules Part Number Reference

Example	Product Family	Voltage Input	Control Input	Integrated Sensors	Output Channels	Output Communications	Product Version	Product Revisions
WiSilica Enabled BLE Control Module	BXCS	12	B	N	2	P	01	A
WIZ Enabled WIFI Control Module	BXCS	12	W	N	2	P	01	A
DALI DT8 Control Module	BXCS	12	D	N	2	P	01	A
0-10V Control Module	BXCS	12	A	N	2	P	01	A

# SMD Products



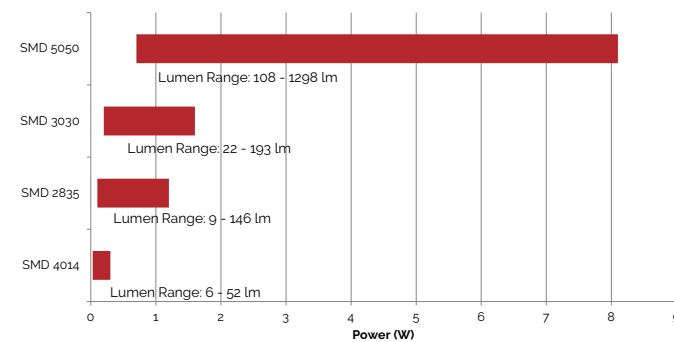
## FEATURES

- High efficacy and lumens per dollar
- Industry standard form factors and footprint
- ANSI compliant color bins
- Excellent lumen maintenance
- Broad range of CCT and CRI configurations

## BENEFITS

- Competitive system performance and cost
- Ease of design and rapid go-to-market
- Enables uniform and consistent white light
- High reliable fixture quality
- Design flexibility

## WATTAGE AND FLUX RANGES (NOMINAL TO MAXIMUM)



## SMD 2835

	CCT	CRI	13H-9C	13H-9CN	13H-98	14H-12B	12H-18A	12H-36A	11M-3CA	11M-3C	11M-3AA	11M-3A	11L-3AA
Nominal Drive Current (mA)			100	100	100	75	50	25	150	150	150	150	60
Vf			9.2	9.2	9.3	12.0	18.1	36.0	2.9	2.9	3.0	3.0	2.9
Power (W)			1.0	1.0	1.0	1.0	1.0	1.0	0.5	0.5	0.5	0.5	0.2
27E	2700	80	-	-	117	118	131	127	68	-	63	-	27
30E	3000	80	-	-	122	122	135	129	71	-	68	-	28
40E	4000	80	-	-	129	129	140	131	77	-	72	-	29
50E	5000	80	-	-	129	129	140	131	77	-	72	-	29
57E	5700	80	-	-	129	129	140	131	77	-	72	-	29
65E	6500	80	-	-	129	129	140	131	76	-	72	-	29
27G	2700	90	108	113	-	103	110	-	-	58	-	55	-
30G	3000	90	110	116	-	107	113	-	-	61	-	58	-
40G	4000	90	114	122	-	114	120	-	-	65	-	61	-
50G	5000	90	114	123	-	114	120	-	-	65	-	61	-
57G	5700	90	114	122	-	114	120	-	-	65	-	61	-
65G	6500	90	-	-	-	-	-	-	-	65	-	-	-
27S	2700	95	91	-	-	-	-	-	-	-	-	-	-
30S	3000	95	94	-	-	-	-	-	-	-	-	-	-
40S	4000	95	102	-	-	-	-	-	-	-	-	-	-
50S	5000	95	105	-	-	-	-	-	-	-	-	-	-
57S	5700	95	105	-	-	-	-	-	-	-	-	-	-
65S	6500	95	105	-	-	-	-	-	-	-	-	-	-

Notes: All values are in lumens. All measurements are at  $T_c = 25^\circ\text{C}$ . Please refer to product data sheets online for additional performance data.

## SMD 3030

	CCT	CRI	12H-6A	21H-3A	11M-3A
Nominal Drive Current (mA)			150	65	150
Vf			6.0	2.7	3.0
Power (W)			1.0	0.2	0.5
27C	2700	70	145	-	-
30C	3000	70	150	-	-
40C	4000	70	158	-	-
50C	5000	70	158	-	-
57C	5700	70	155	-	-
65C	6500	70	153	-	-
27E	2700	80	133	30	-
30E	3000	80	137	-	69
40E	4000	80	144	33	72
50E	5000	80	144	-	-
57E	5700	80	143	33	-
65E	6500	80	141	-	-
27G	2700	90	117	27	57
30G	3000	90	121	28	58
40G	4000	90	127	29	61
50G	5000	90	127	-	61
57G	5700	90	126	29	-
65G	6500	90	125	-	-

Notes: All values are in lumens. All measurements are at  $T_c = 25^\circ\text{C}$ . Please refer to product data sheets online for additional performance data.

## SMD 5050

	CCT	CRI	435-09C	1C5-36C	435-09B	1C5-36B	425-06A	181-24A
Nominal Drive Current (mA)			500	125	500	125	750	45
Vf			8.9	35.7	8.9	35.5	6.1	22.0
Power (W)			4.5	4.5	4.5	4.5	4.5	1.0
27C	2700	70	729	729	692	692	-	183
30C	3000	70	751	751	709	709	698	187
40C	4000	70	791	791	736	736	740	192
50C	5000	70	791	791	736	736	740	192
57C	5700	70	783	783	731	731	729	192
65C	6500	70	775	775	720	720	729	190
27E	2700	80	657	657	615	615	-	163
30E	3000	80	677	677	630	630	-	170
40E	4000	80	713	713	670	670	-	179
50E	5000	80	713	713	670	670	-	179
57E	5700	80	706	706	670	670	-	177
65E	6500	80	699	699	668	668	-	176
27G	2700	90	557	557	520	520	-	140
30G	3000	90	574	574	535	535	-	143
40G	4000	90	604	604	575	575	-	154

Notes: All values are in lumens. All measurements are at  $T_c = 25^\circ\text{C}$ . Please refer to product data sheets online for additional performance data.

# SMD Products, Continued

## SMD 4014

	CCT	CRI	11L-3B	11L-3C
Nominal Drive Current (mA)			60	60
Vf			2.9	2.85
Power (W)			0.2	0.2
30E	3000	80	28.5	30.5
40E	4000	80	30.8	32.5
50E	5000	80	30.8	32.5
65E	6500	80	30.8	32.5
30G	3000	90	25	26.5
40G	4000	90	27	28
50G	5000	90	27	28
65G	6500	90	27	28

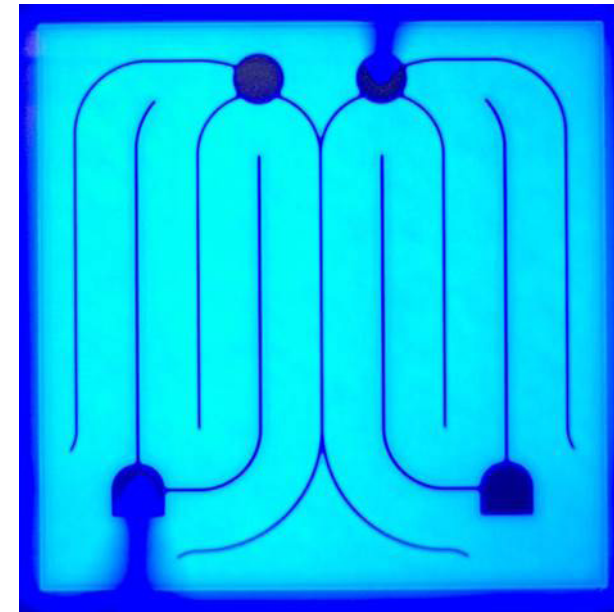
Notes: All values are in lumens. All measurements are at  $T_c = 25^\circ\text{C}$ . Please refer to product data sheets online for additional performance data.

## SMD 7070

	CCT	CRI	12H-6A	21H-3A	11M-3A
Nominal Drive Current (mA)			150	300	300
Vf			41.7	26.6	35.5
Power (W)			6.0	8.0	10.6
27C	2700	70	969	1232	1620
30C	3000	70	992	1272	1659
40C	4000	70	1030	1361	1723
50C	5000	70	1030	1361	1723
57C	5700	70	1023	1347	1711
65C	6500	70	1008	1347	1685
27E	2700	80	861	1110	1439
30E	3000	80	881	1146	1474
40E	4000	80	938	1226	1568
50E	5000	80	938	1226	1568
57E	5700	80	938	1226	1568
65E	6500	80	935	1214	1563
27G	2700	90	729	957	1216
30G	3000	90	748	986	1251
40G	4000	90	804	1057	1345
27H	2700	95	644	875	1077
30H	3000	95	667	909	1116
40H	4000	95	691	973	1155

Notes: All values are in lumens. All measurements are at  $T_c = 25^\circ\text{C}$ . Please refer to product data sheets online for additional performance data.

# LED Chips



## SMD 2835, 5050 and 4014 Part Number Reference

Nomenclature	Family	CCT	CRI	Die Count in Parallel	Die Count in Series	Power	Forward Voltage	Version	Flux Bin	Forward Voltage Bin	Color Bin				
Example 2835	BXEN	-	27	E	-	1	1	M	-	3	A	-	00	-	0
Example 5050	BXEP	-	30	E	-	1	8	1	-	24	A	-	00	-	0
Example 4014	BXEW	-	30	E	-	1	1	L	-	3	C	-	00	-	0

## SMD 3030 Part Number Reference

Nomenclature	Family	CCT	CRI	Flux Bin	Forward Voltage Bin	Color Bin			
Example	BXEM	-	30	E	130	-	R	-	30D

At Bridgelux, we manufacture leading-edge, IP protected, high performance light emitting diode (LED) chips with superior quality and reliability. Our blue LED chips are packaged into components

such as LED emitters and chip-on-board arrays (COBs). Bridgelux chips are the basis for LED luminaires including, general lighting, signage, automotive applications, and camera flash for mobile appliances.

## Bridgelux LED Chip Products

Form Factor	Part Number	Typ./Max Drive Current (mA)	Optical Power (mW)	Forward Voltage Range (V)	Wave Length Range (nm)	Efficacy Cool White (lm/W)
Lateral	BXCD4545	350/700	420-500	3.0-3.4	450-460	160-180
	BXCD2345	350/450	380-460	3.2-3.6	450-460	130-160
	BXCD1734	120/240	200-240	3.0-3.4	450-460	120-140
	BXCD2630	120/240	210-250	2.8-3.2	450-460	130-150
	BXCD1133	150/200	240-320	3.2-3.6	450-460	120-140
	BXCD1029	150/200	240-320	3.2-3.6	450-460	120-140
	BXCD2240	120/350	230-270	2.8-3.2	450-460	130-160
Flip	BXDA4040 / BXDB4040	700/1000	850-1000	2.8-3.2	450-460	140-170
	BXDA1530	120/240	160-200	2.8-3.4	450-460	130-150
	BXDA2630	350/700	420-500	3.0-3.6	450-460	130-150

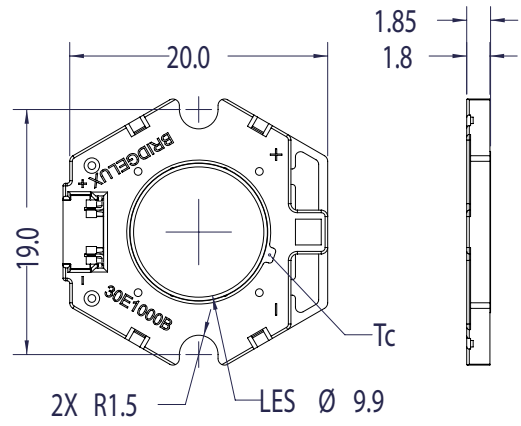
Notes: All values are in lumens. All measurements are at  $T_c = 25^\circ\text{C}$ . Please refer to product data sheets online for additional performance data.



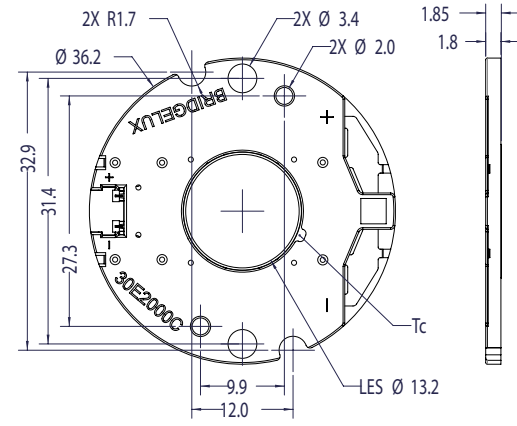
# Mechanical Dimensions

## Vero Series\*

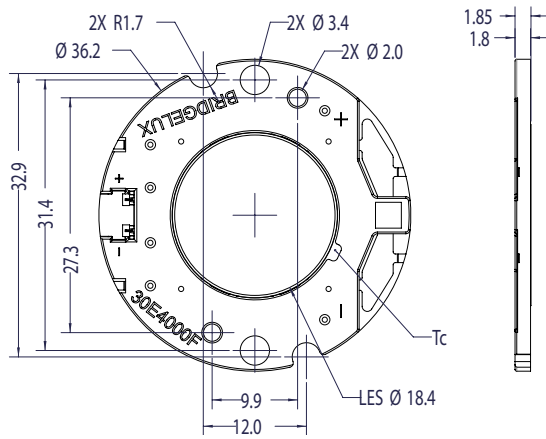
VERO 10



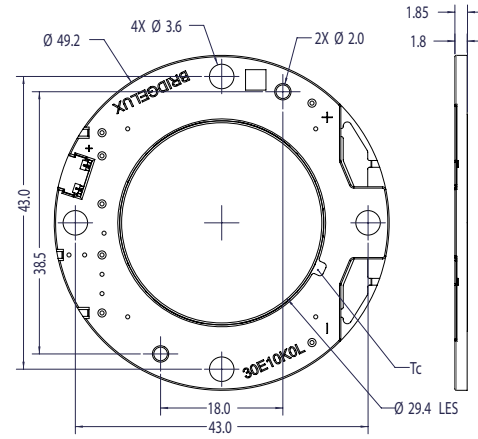
VERO 13



VERO 18

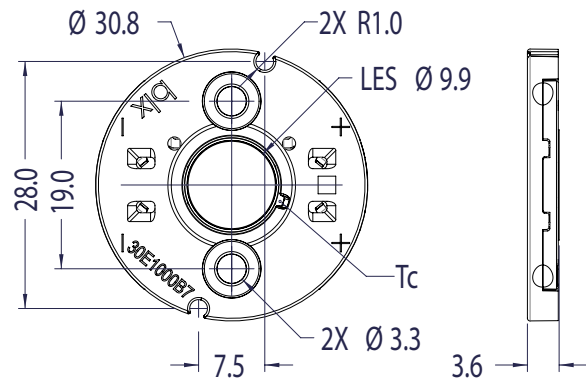


VERO 29

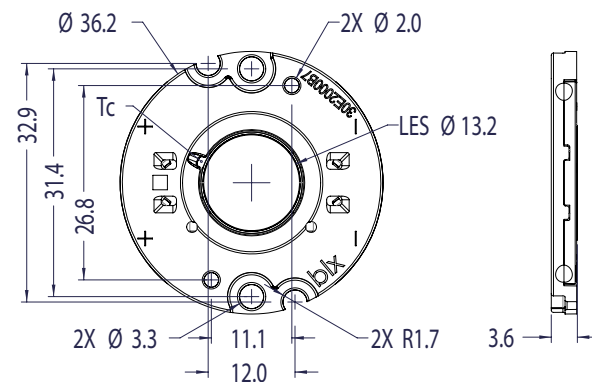


## Vero SE Series\*

VERO SE 10



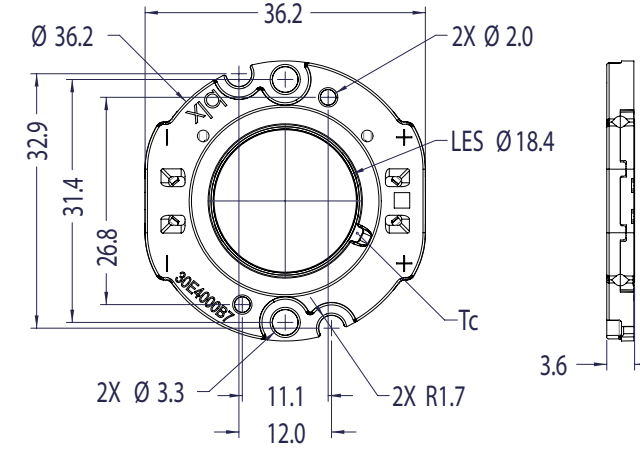
VERO SE 13



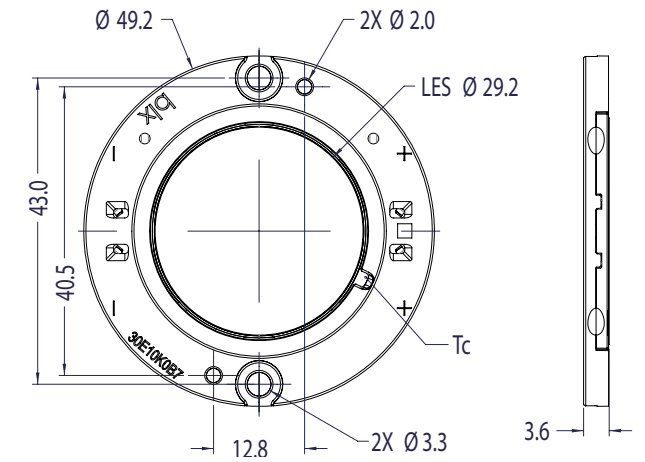
\* Notes for all drawings: Dimensions are in mm.

## Vero SE Series, Continued

VERO SE 18

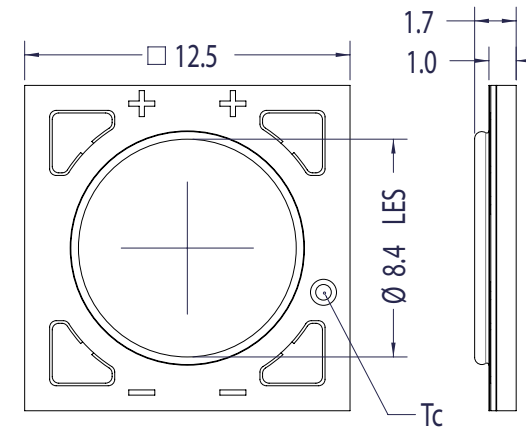


VERO SE 29

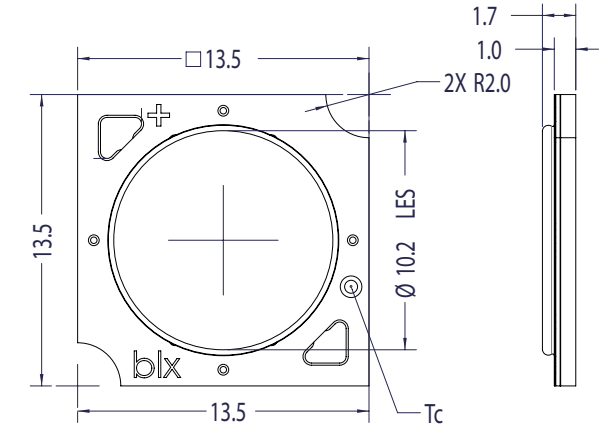


## V Series\*

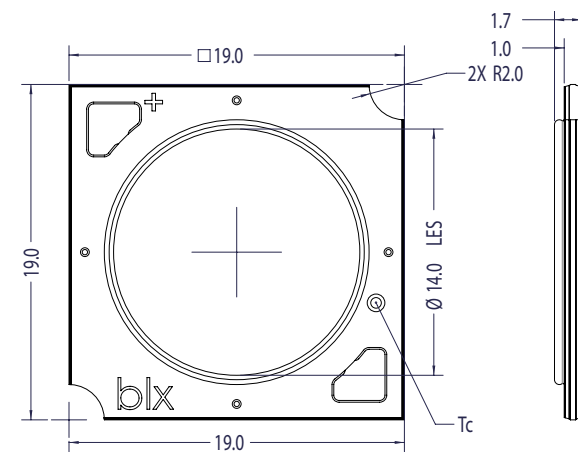
V8



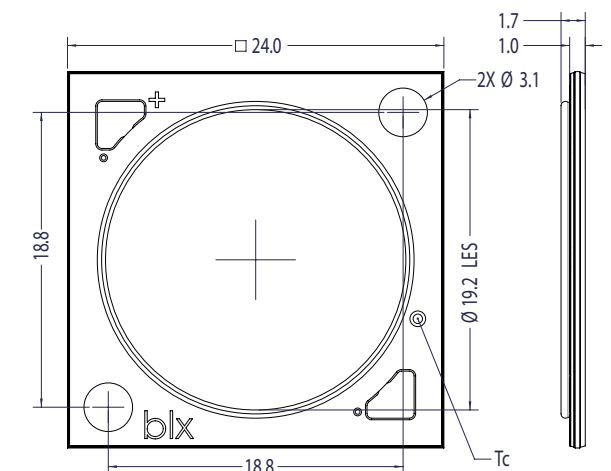
V10



V13



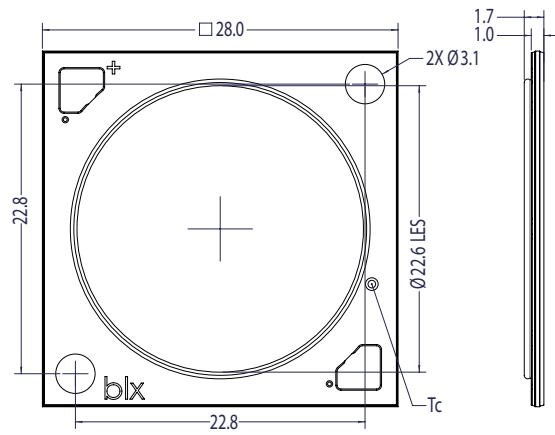
V18



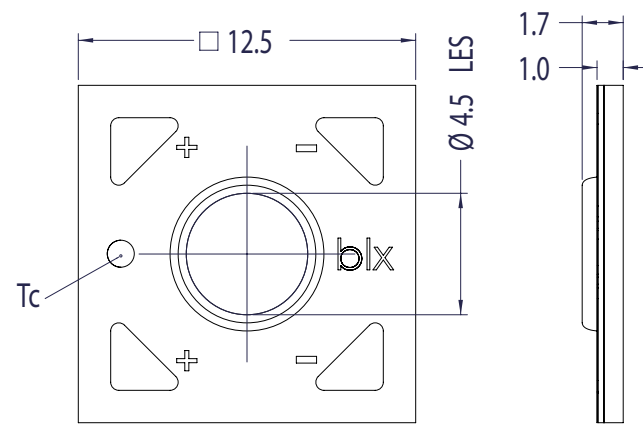
\* Notes for all drawings: Dimensions are in mm.

## V Series, Continued

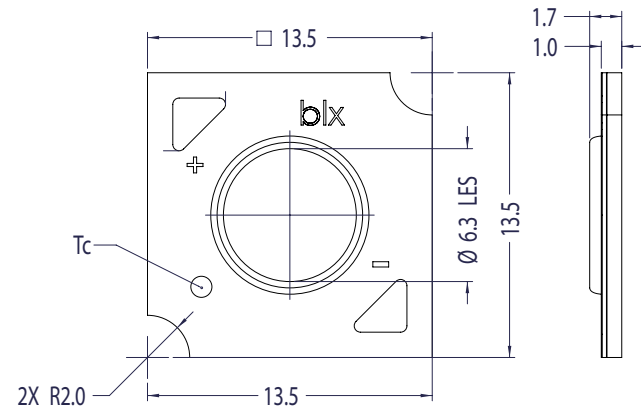
V22



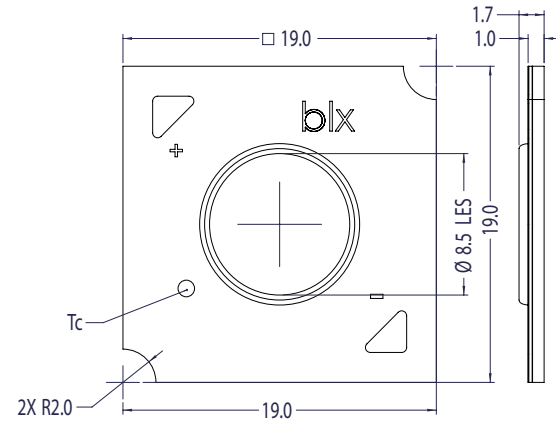
V4 HD



V6 HD

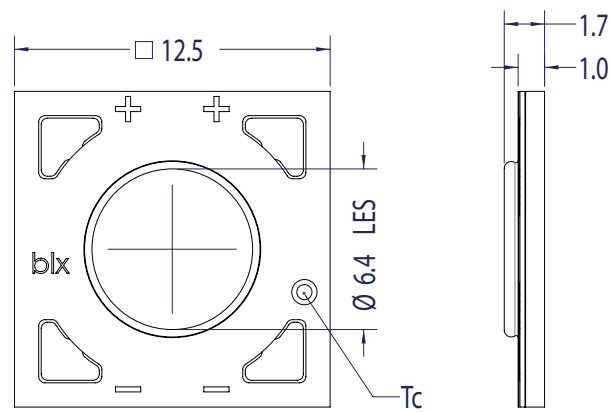


V9 HD

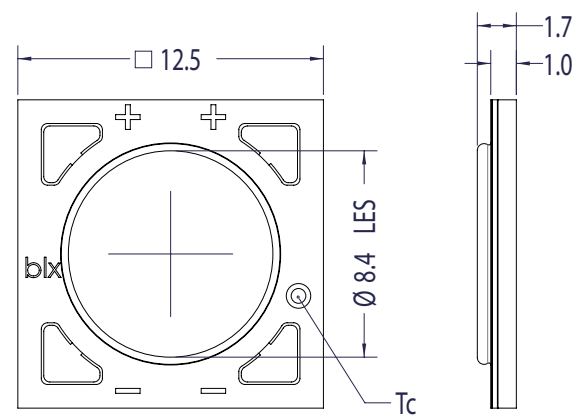


## E Series\*

E6



E8

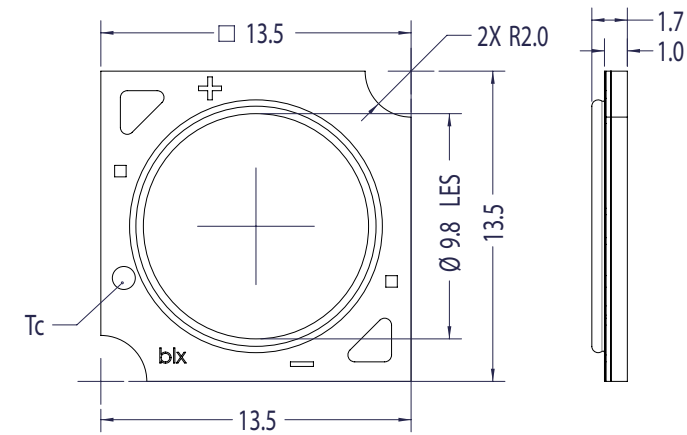


\* Notes for all drawings: Dimensions are in mm.

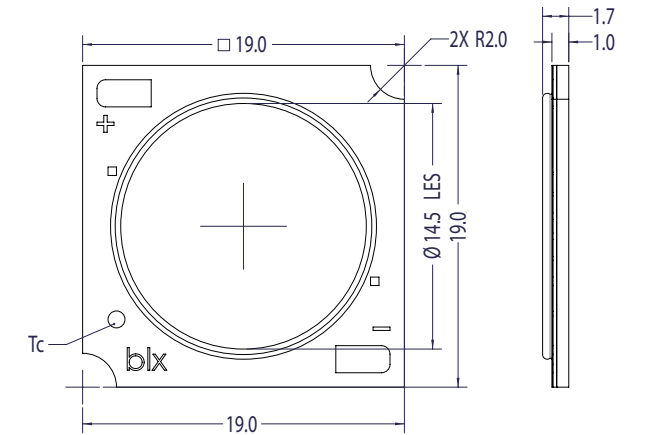
## V Series HD\*

## E Series, Continued

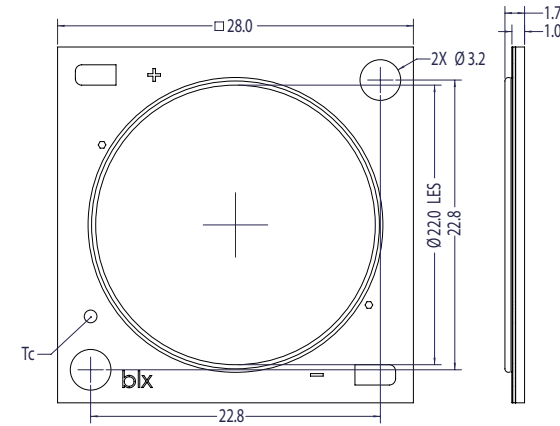
E10



E15

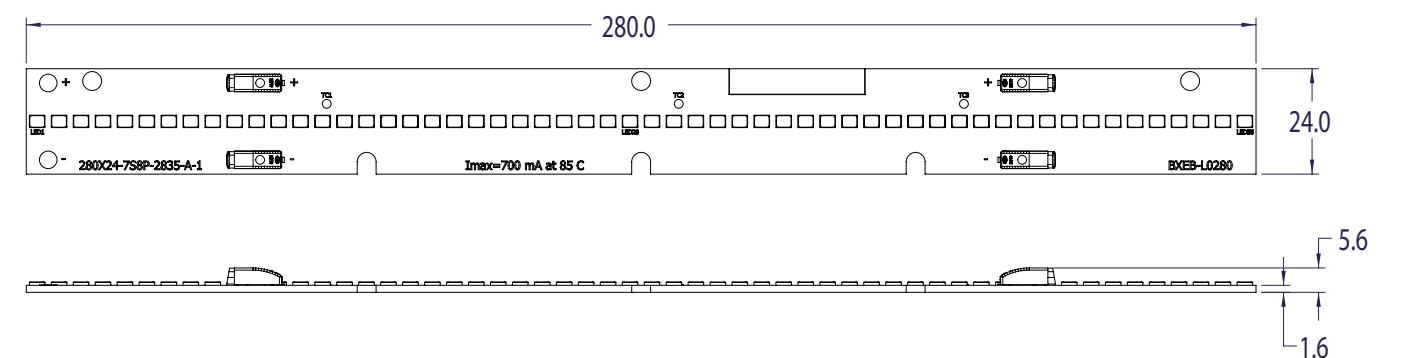


E22



## EB Series\*

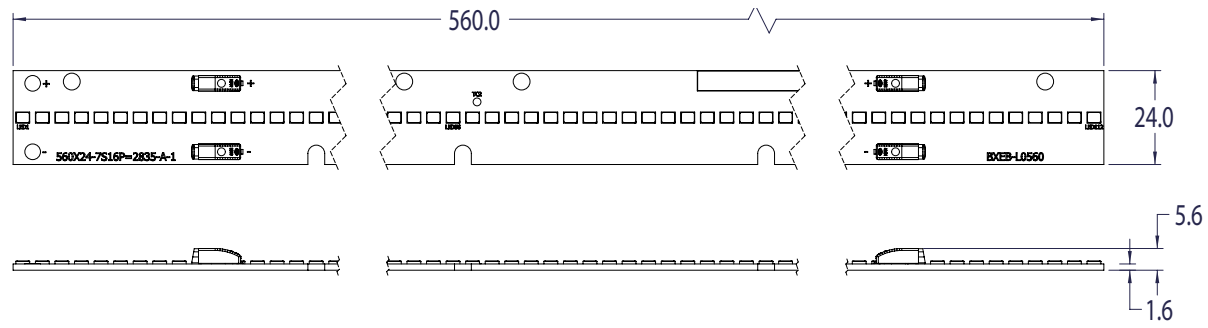
Lo280



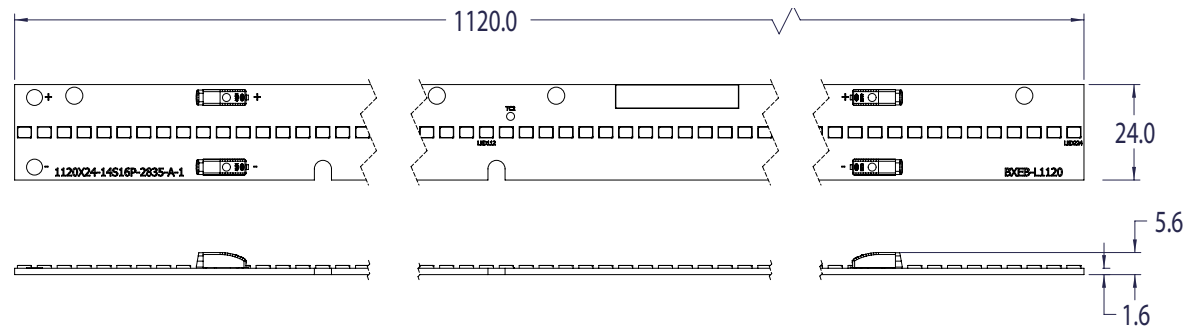
\* Notes for all drawings: Dimensions are in mm.

# EB Series, Continued

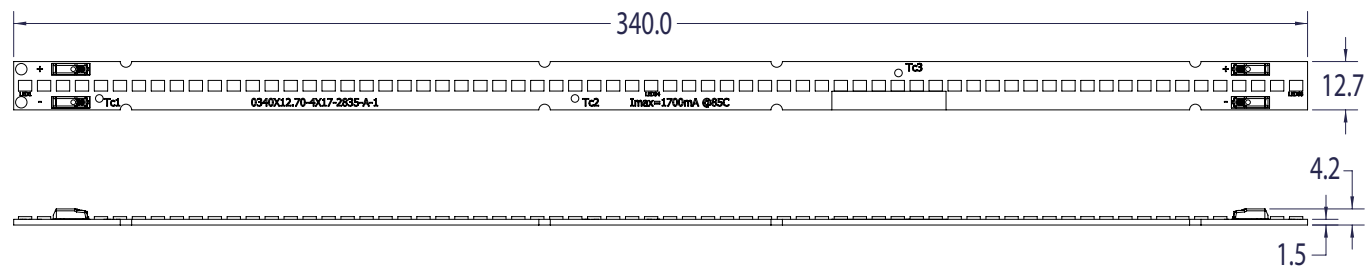
## L0560



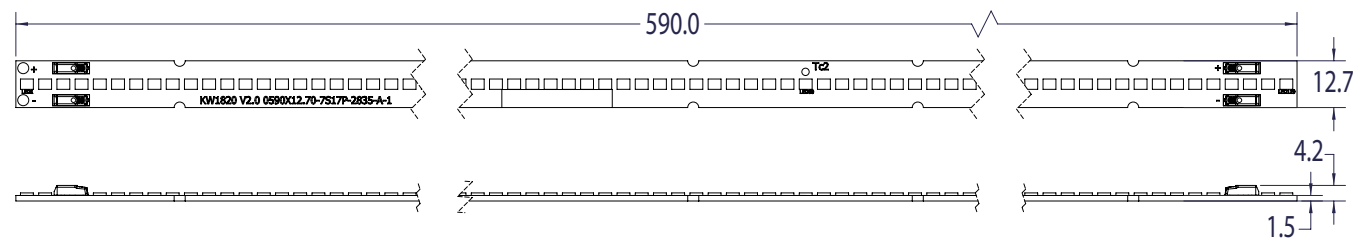
## L1120



## SLIM L0340



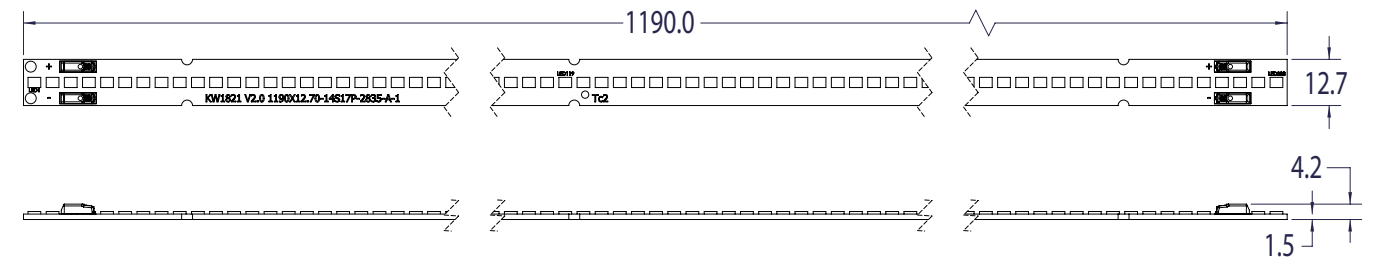
## SLIM L0590



\* Notes for all drawings: Dimensions are in mm.

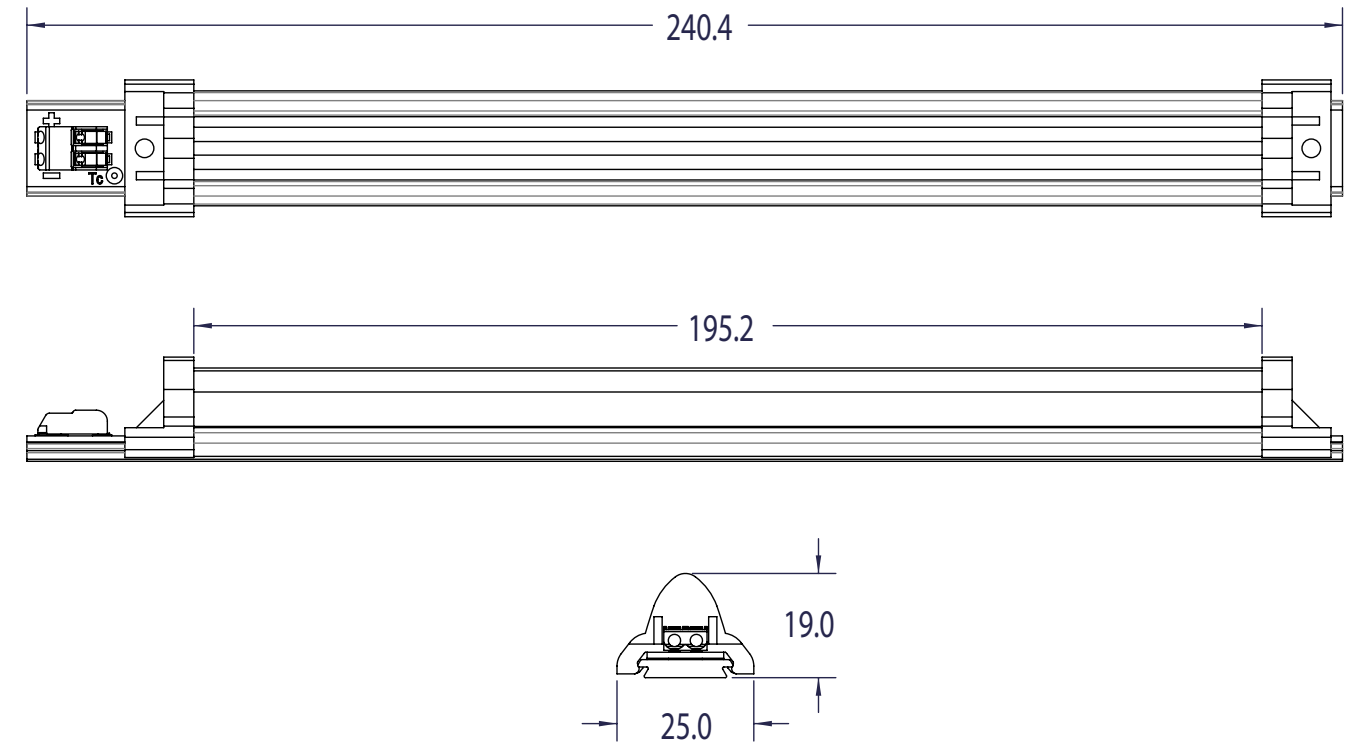
# EB Series, Continued

## SLIM L1190



# IB Series\*

## L0240

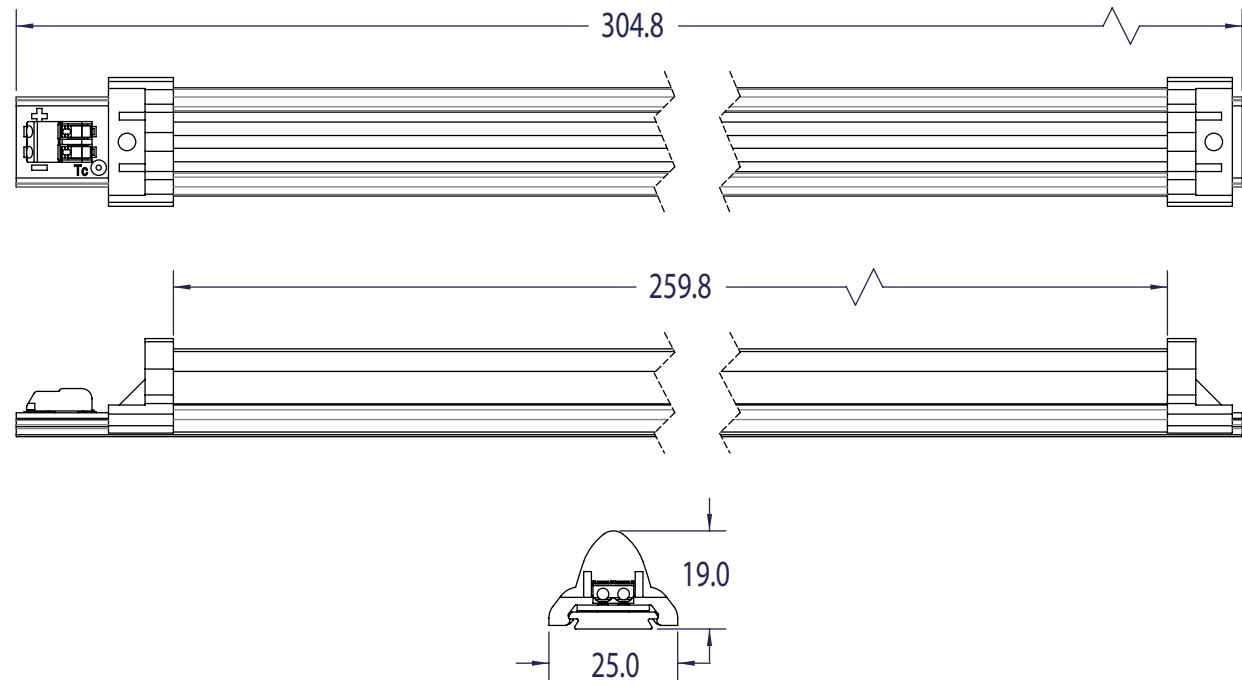


\* Notes for all drawings: Dimensions are in mm.

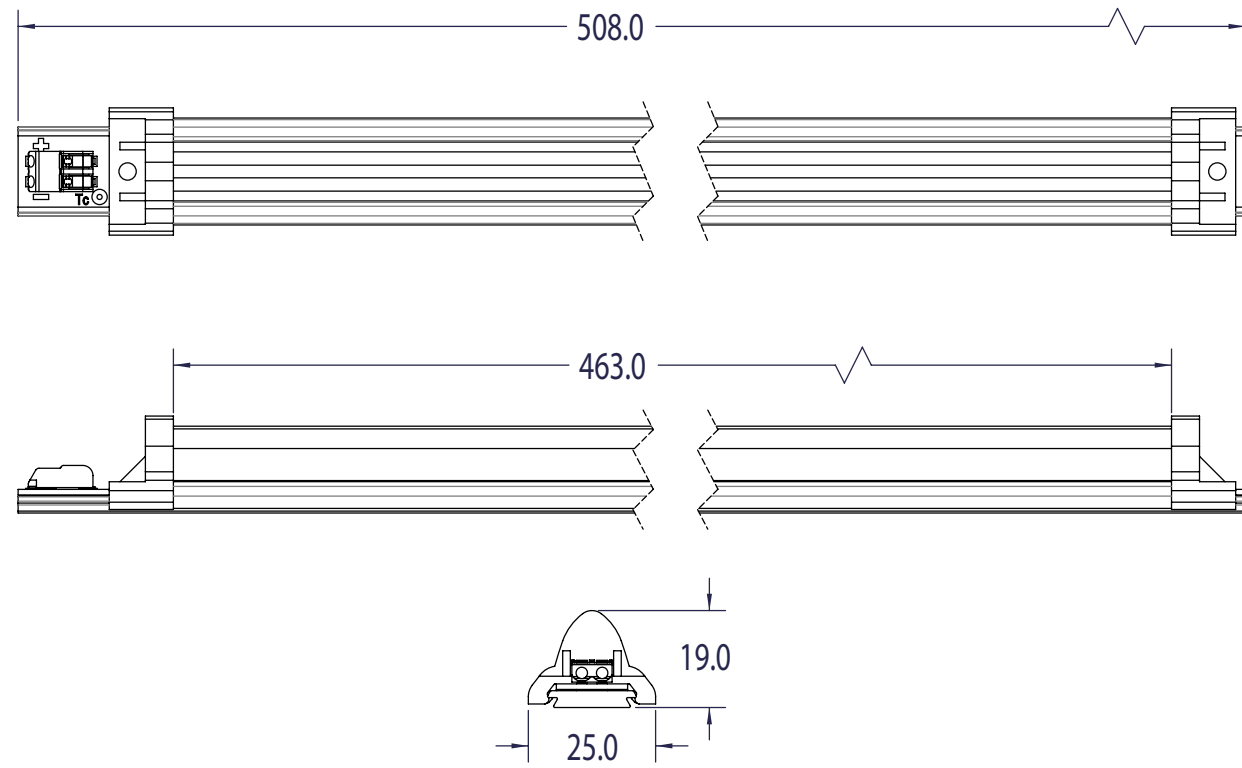


# IB Series, Continued

L0350



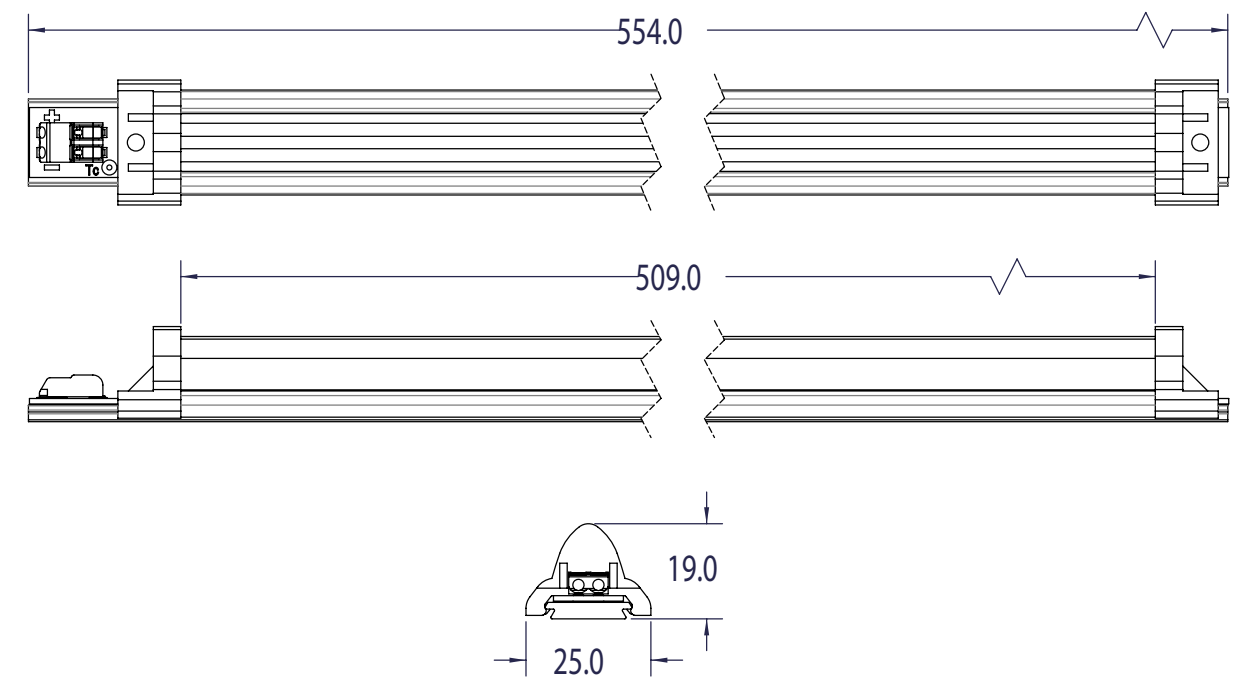
L0508



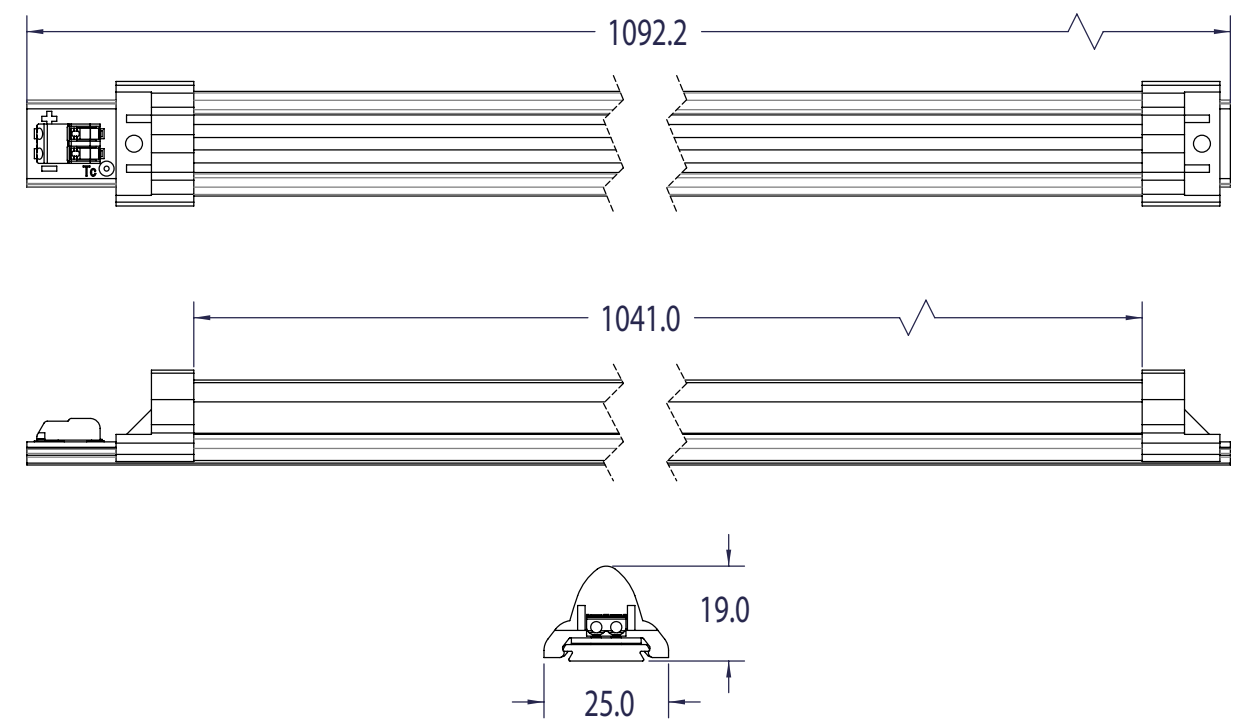
\* Notes for all drawings: Dimensions are in mm.

# IB Series, Continued

L0554



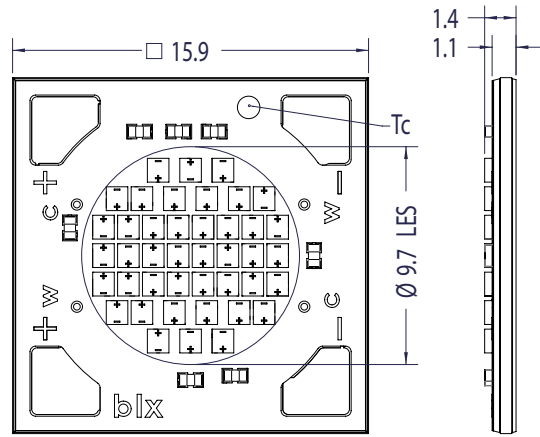
L1092



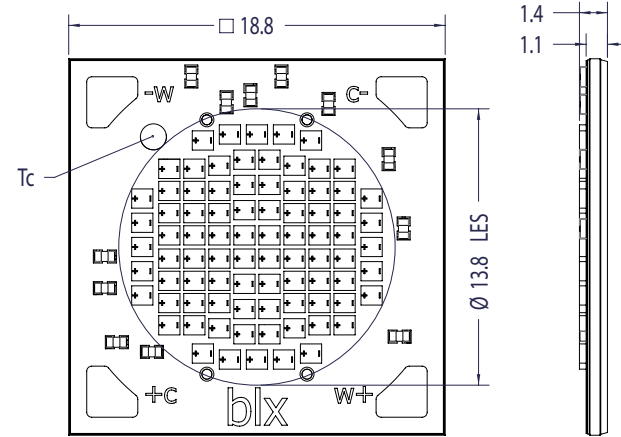
\* Notes for all drawings: Dimensions are in mm.

# Vesta Series\*

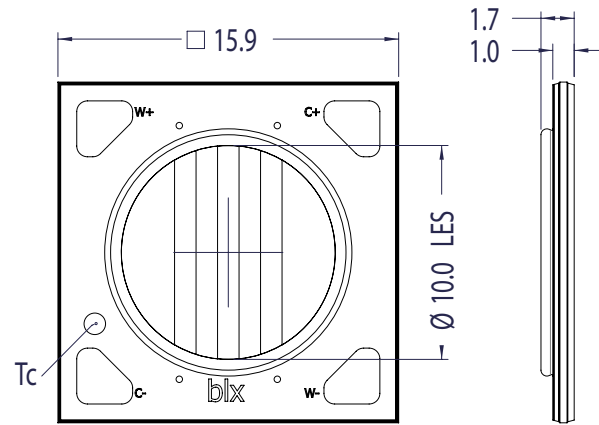
TUNABLE WHITE 9MM CSP



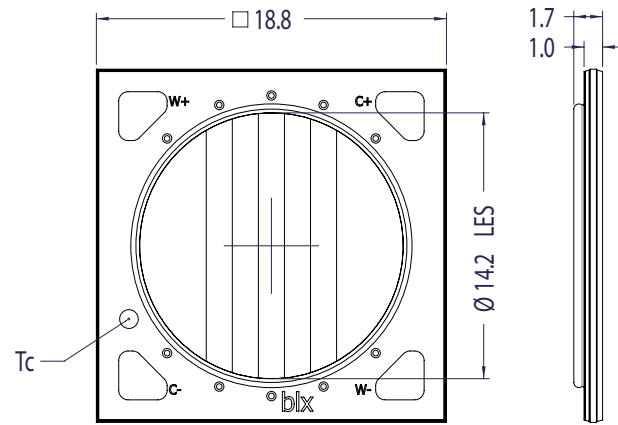
TUNABLE WHITE 13MM CSP



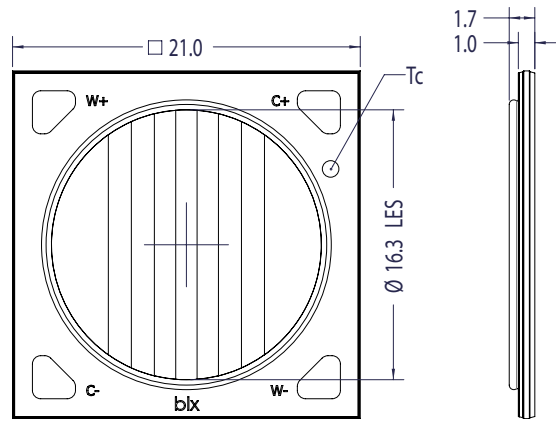
TUNABLE WHITE DISPENSED PHOSPHOR 9MM



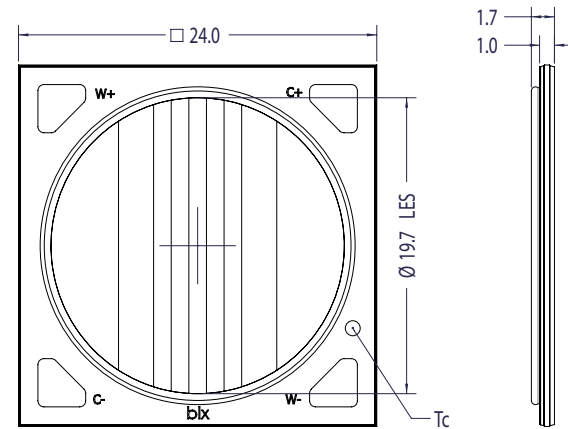
TUNABLE WHITE DISPENSED PHOSPHOR 13MM



TUNABLE WHITE DISPENSED PHOSPHOR 15MM



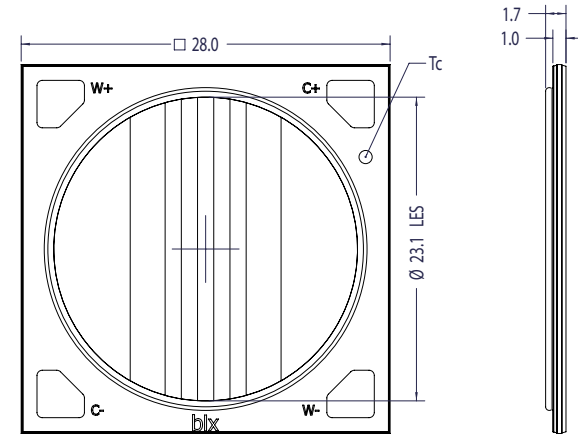
TUNABLE WHITE DISPENSED PHOSPHOR 18MM



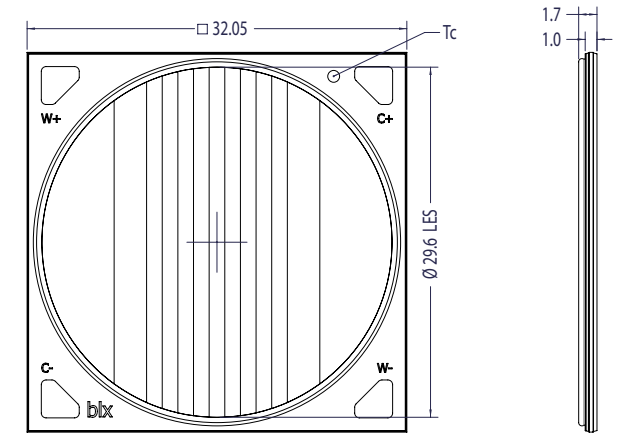
\* Notes for all drawings: Dimensions are in mm.

# Vesta Series, Continued

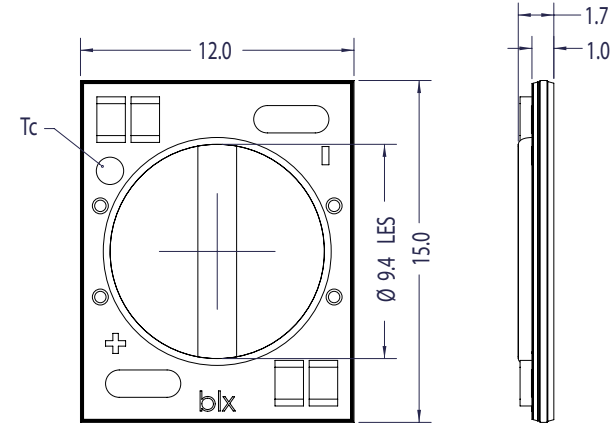
TUNABLE WHITE DISPENSED PHOSPHOR 22MM



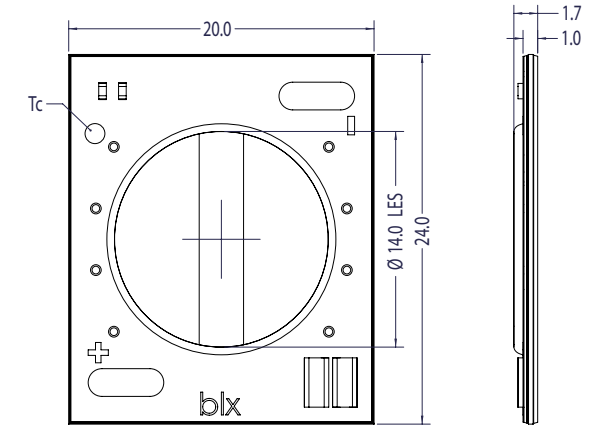
TUNABLE WHITE DISPENSED PHOSPHOR 29MM



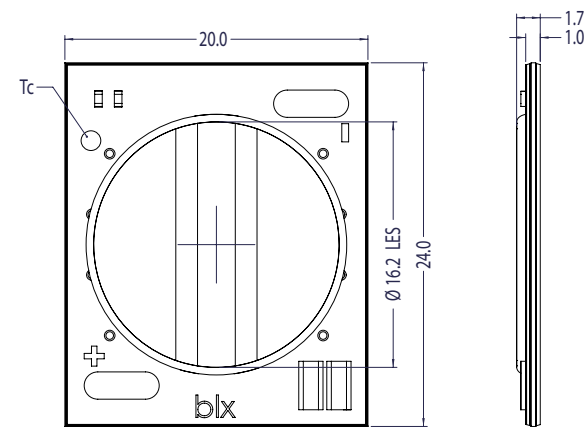
DIM-TO-WARM 9MM



DIM-TO-WARM 13MM



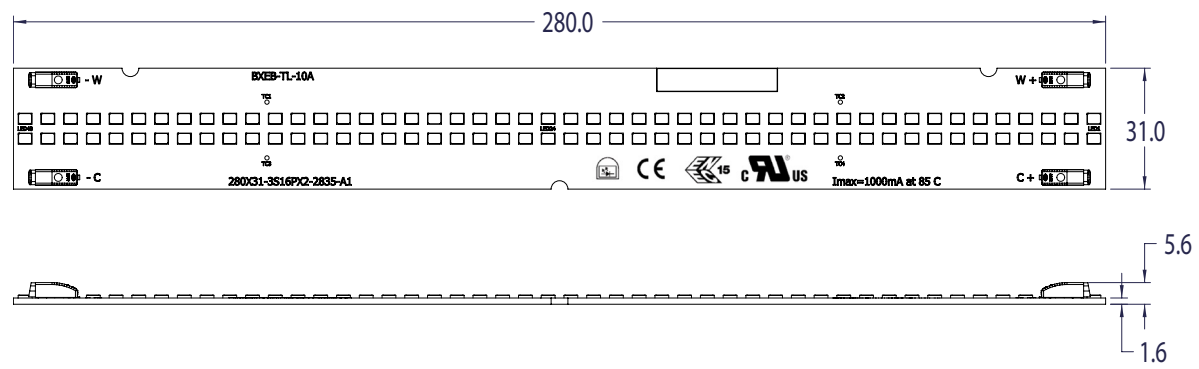
DIM-TO-WARM 15MM



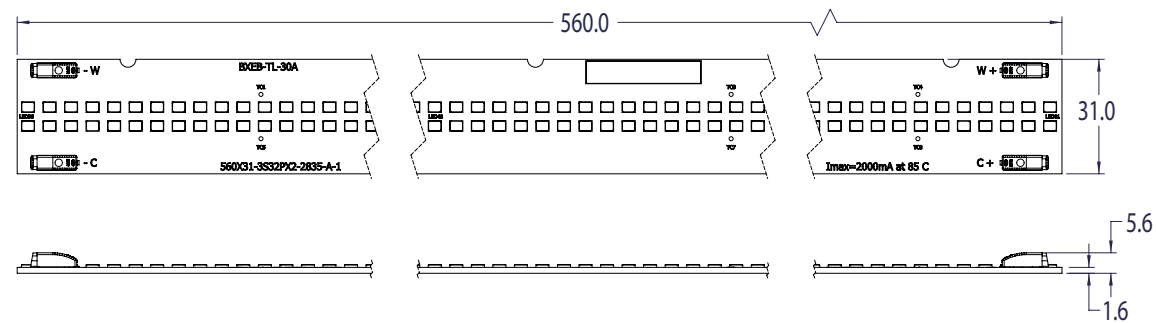
\* Notes for all drawings: Dimensions are in mm.

# Vesta Series, Continued

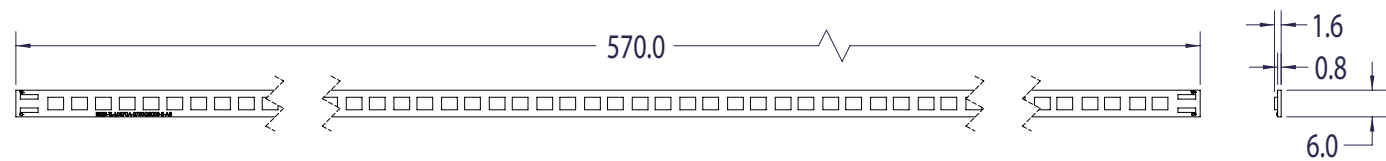
## TUNABLE WHITE LINEAR 280MM



## TUNABLE WHITE LINEAR 560MM



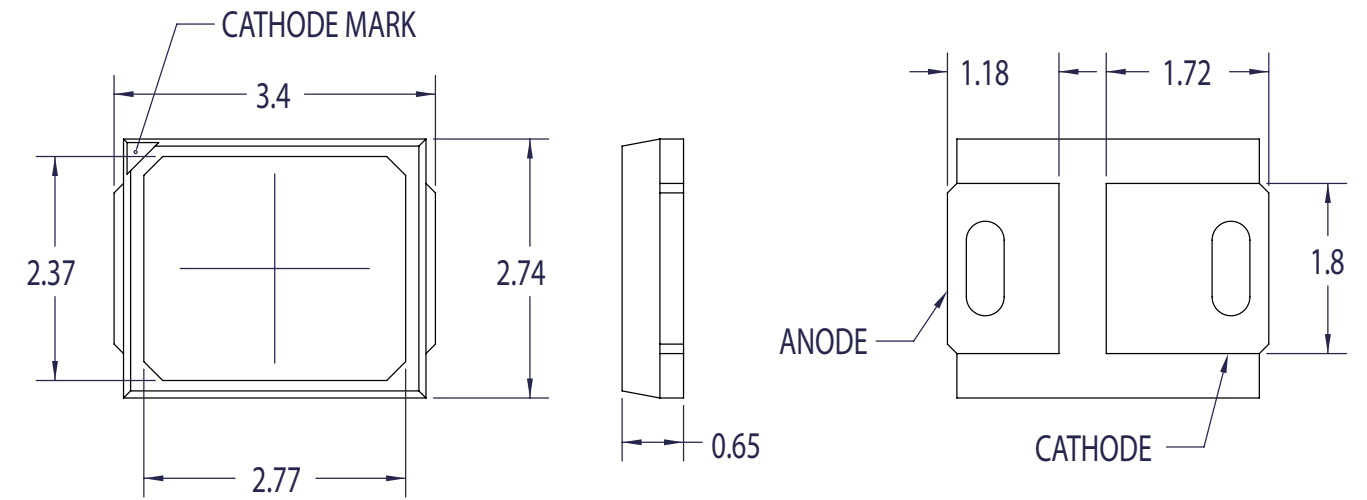
## TUNABLE WHITE LINEAR EDGE 570MM



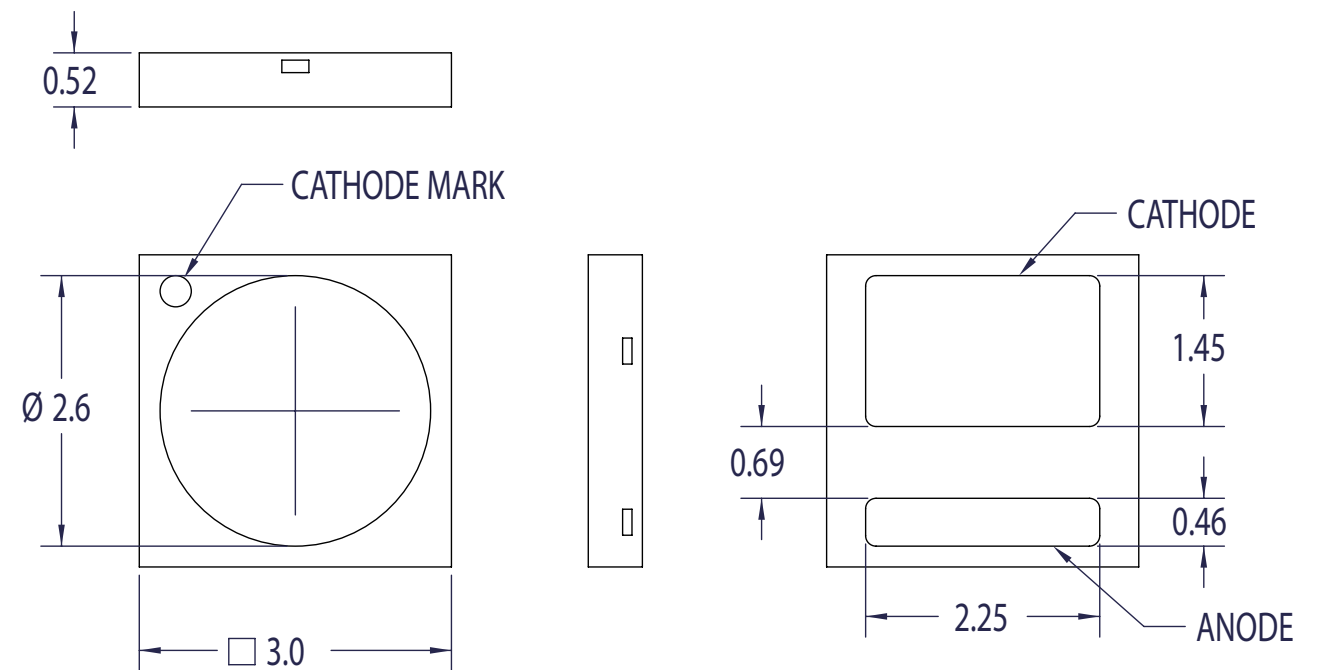
\* Notes for all drawings: Dimensions are in mm.

# SMD Products\*

## SDM 2835



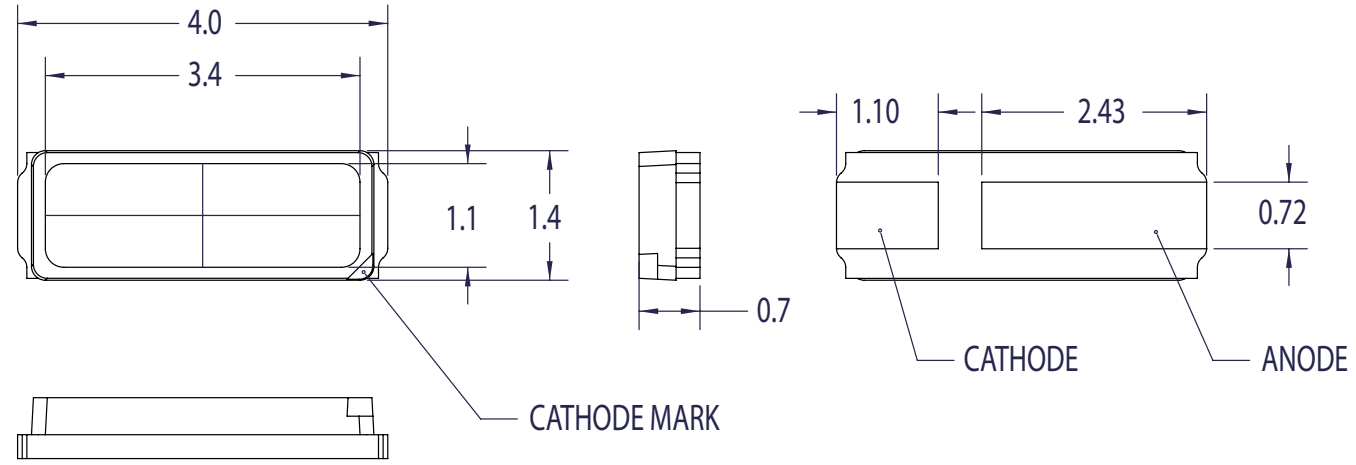
## SMD 3030



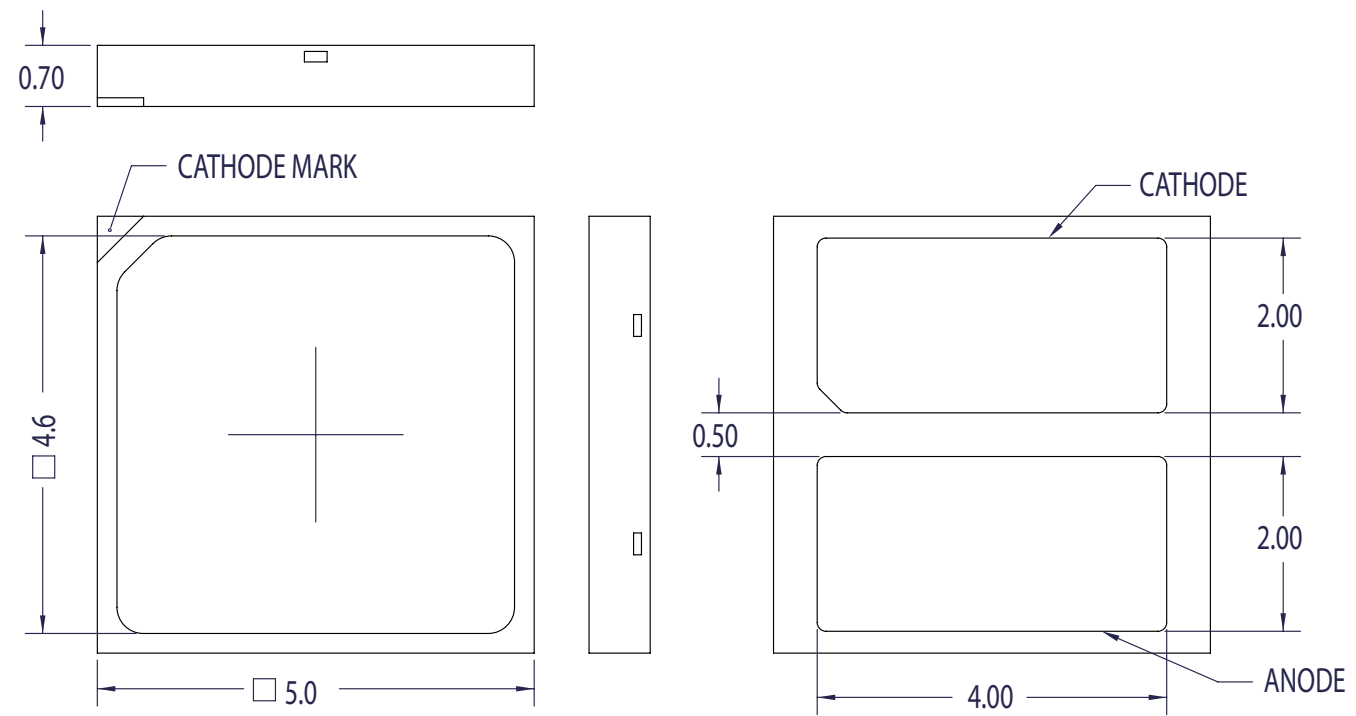
\* Notes for all drawings: Dimensions are in mm.



SMD 4014



SMD 5050



\* Notes for all drawings: Dimensions are in mm.

For more information about the company,  
please visit

[bridgelux.com](http://bridgelux.com)

[twitter.com/Bridgelux](https://twitter.com/Bridgelux)

[facebook.com/Bridgelux](https://facebook.com/Bridgelux)

[youtube.com/user/Bridgelux](https://youtube.com/user/Bridgelux)

[linkedin.com/company/bridgelux-inc-\\_2](https://linkedin.com/company/bridgelux-inc-_2)

WeChat ID: BridgeluxInChina



46430 Fremont Boulevard  
Fremont, CA 94538 USA  
Tel (925) 583-8400  
Fax (925) 583-8410  
[www.bridgelux.com](http://www.bridgelux.com)

© 2017-2019 Bridgelux, Inc. All rights reserved. Product specifications are subject to change without notice. Bridgelux, the Bridgelux stylized logo design, Vesta and Vero are registered trademarks, and Decor Series, EB Series, V Series, IB Series and Bridging Light and Life are trademarks of Bridgelux, Inc. All other trademarks are the property of their respective owners.

Bridgelux reserves the right to modify, change, supplement or amend the information provided in this catalog. The information contained in this catalog is not a substitute for the information provided in the actual product data sheets.

Bridgelux Catalog (09/2019 r5.3)