



US010263163B2

(12) **United States Patent**
Xu et al.

(10) **Patent No.:** **US 10,263,163 B2**
(45) **Date of Patent:** **Apr. 16, 2019**

(54) **METHOD AND APPARATUS FOR GENERATING WHITE LIGHT FROM SOLID STATE LIGHT EMITTING DEVICES**

(75) Inventors: **Tao Xu**, Livermore, CA (US); **Rene Peter Helbing**, Livermore, CA (US)

(73) Assignee: **Bridgelux, Inc.**, Fremont, CA (US)

(*) Notice: Subject to any disclaimer, the term of this patent is extended or adjusted under 35 U.S.C. 154(b) by 1258 days.

6,069,440 A	5/2000	Shimizu et al.
6,163,557 A	12/2000	Dunnrowicz et al.
6,576,930 B2	6/2003	Reeh et al.
6,614,179 B1	9/2003	Shimizu et al.
6,812,500 B2	11/2004	Reeh et al.
6,870,191 B2	3/2005	Niki et al.
7,026,756 B2	4/2006	Shimizu et al.
7,078,732 B1	7/2006	Reeh et al.
7,087,732 B2	8/2006	Fodor et al.
7,151,283 B2	12/2006	Reeh et al.
7,250,715 B2	7/2007	Mueller et al.
7,362,048 B2	4/2008	Shimizu et al.
7,531,960 B2	5/2009	Shimizu et al.
2004/0016908 A1	1/2004	Hohn et al.
2006/0028122 A1*	2/2006	Wang et al. 313/503

(Continued)

(21) Appl. No.: **12/959,728**

(22) Filed: **Dec. 3, 2010**

FOREIGN PATENT DOCUMENTS

(65) **Prior Publication Data**
US 2011/0069474 A1 Mar. 24, 2011

DE	19625622	1/1998
DE	19638667	4/1998

(Continued)

Related U.S. Application Data

(62) Division of application No. 12/130,459, filed on May 30, 2008, now Pat. No. 7,868,340.

Primary Examiner — Abul Kalam

(74) *Attorney, Agent, or Firm* — James M. Wu; JW Law Group

(51) **Int. Cl.**
H01J 1/62 (2006.01)
H01L 33/50 (2010.01)

(57) **ABSTRACT**

An optical device capable of generating warm light using an array of phosphor islands situated over a phosphor layer is disclosed. The device includes a solid state light emitter, a phosphor layer, and phosphor islands. The solid state light emitter, in an aspect, is a light emitting diode ("LED") capable of converting electrical energy to optical light. The phosphor layer is disposed over the solid state light emitter for generating luminous cool light in response to the optical light. Multiple phosphor islands are disposed on the phosphor layer for converting cool light to warm light, wherein the phosphor islands are evenly distributed over the phosphor layer.

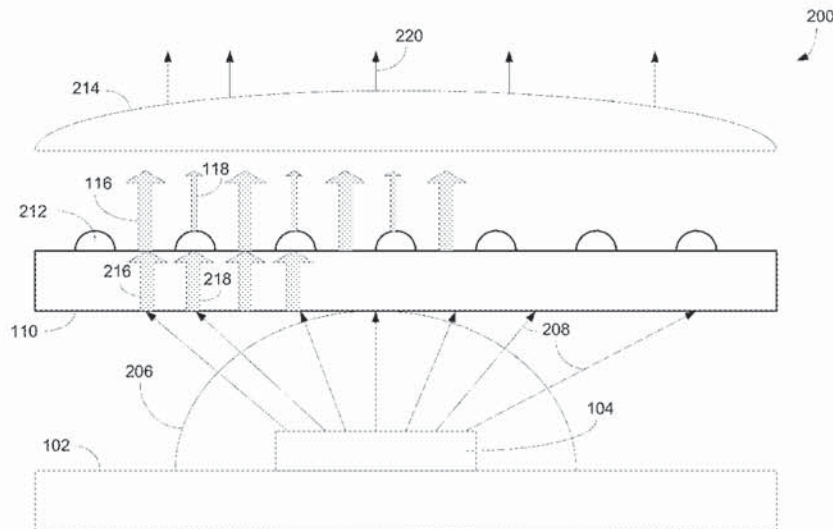
(52) **U.S. Cl.**
CPC .. **H01L 33/508** (2013.01); **H01L 2224/48091** (2013.01)

(58) **Field of Classification Search**
None
See application file for complete search history.

(56) **References Cited**
U.S. PATENT DOCUMENTS

5,660,461 A	8/1997	Ignatius et al.
5,998,925 A	12/1999	Shimizu et al.

1 Claim, 10 Drawing Sheets



(56)

References Cited

U.S. PATENT DOCUMENTS

2006/0097385 A1* 5/2006 Negley H01L 33/486
 257/722
 2006/0244358 A1* 11/2006 Kim et al. 313/486
 2007/0228949 A1* 10/2007 Maruyama et al. 313/512
 2007/0276606 A1* 11/2007 Radkov C09K 11/7734
 702/19
 2008/0048200 A1 2/2008 Mueller et al.
 2008/0191609 A1* 8/2008 Schmidt C09K 11/7787
 313/503
 2008/0231162 A1* 9/2008 Kurihara F21V 9/10
 313/487
 2008/0231170 A1* 9/2008 Masato et al. 313/501
 2008/0259589 A1* 10/2008 Van De Ven F21K 9/00
 362/84
 2008/0304250 A1* 12/2008 Harbers F21S 8/04
 362/84
 2009/0008673 A1* 1/2009 Kato C08G 77/04
 257/100

2009/0039365 A1* 2/2009 Andrews H01L 33/508
 257/98
 2009/0039375 A1* 2/2009 LeToquin et al. 257/98
 2009/0101930 A1* 4/2009 Li F21K 9/135
 257/98
 2012/0033402 A1* 2/2012 Harada 362/84

FOREIGN PATENT DOCUMENTS

DE 29724543 U1 4/2002
 DE 29724582 U1 8/2002
 JP 2900928 4/1998
 JP 2927279 9/1998
 JP 3700502 7/2000
 JP 3503139 3/2004
 JP 3724490 6/2004
 JP 3724498 12/2004
 WO WO 97/50132 A1 12/1997
 WO WO 98/12757 A1 3/1998
 WO WO 01/08452 A1 2/2001
 WO WO 01/08453 A1 2/2001

* cited by examiner

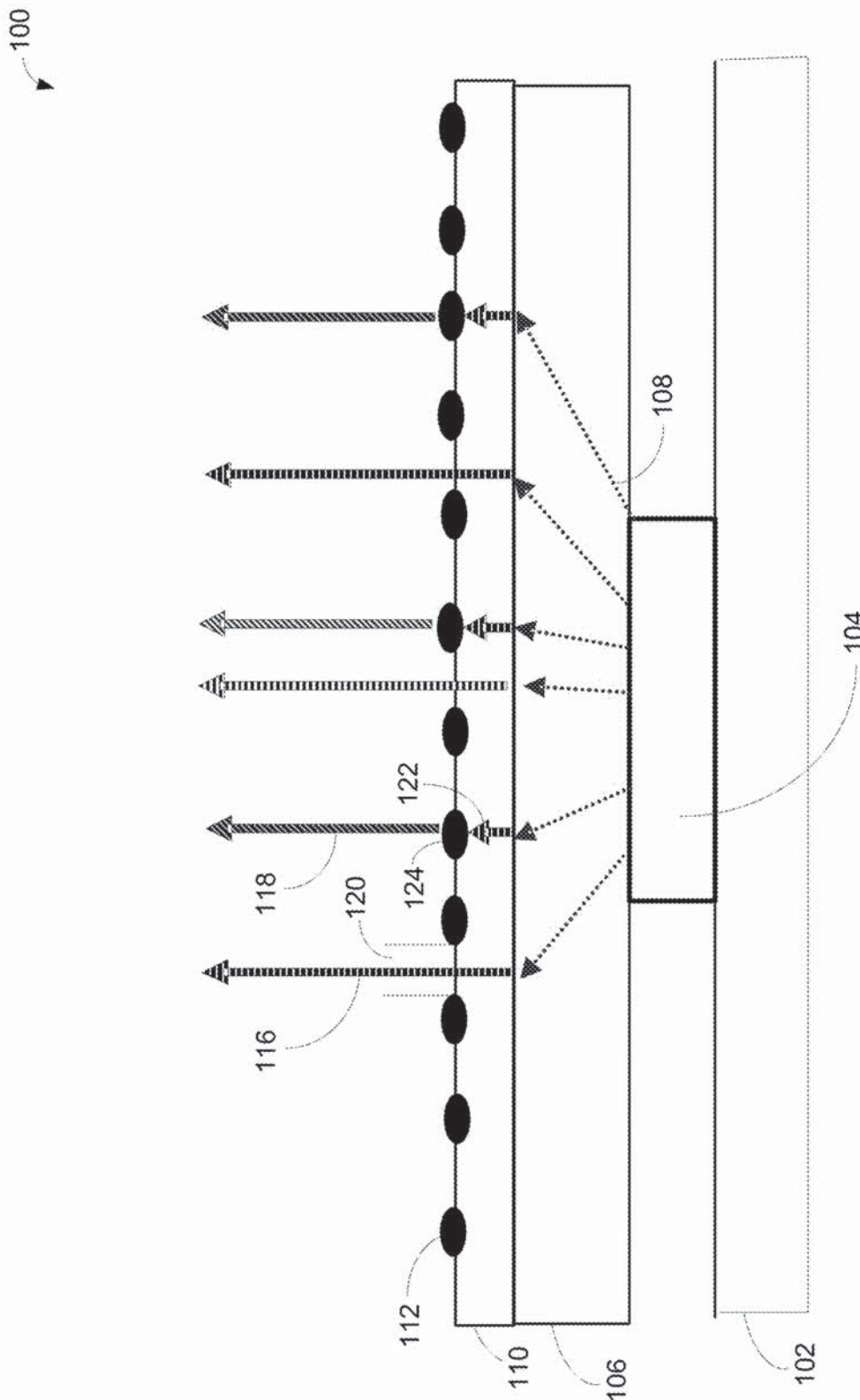


FIG 1

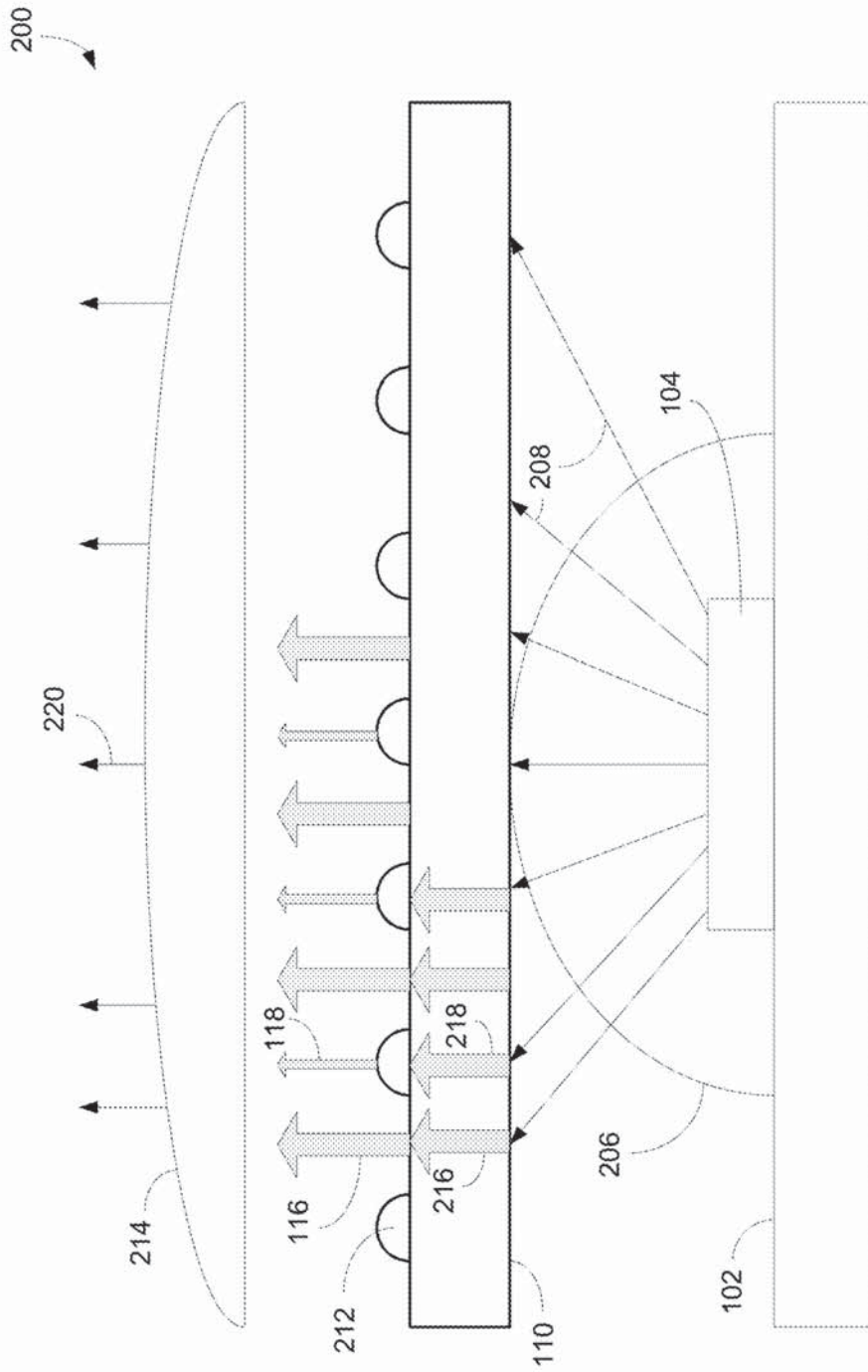


FIG 2

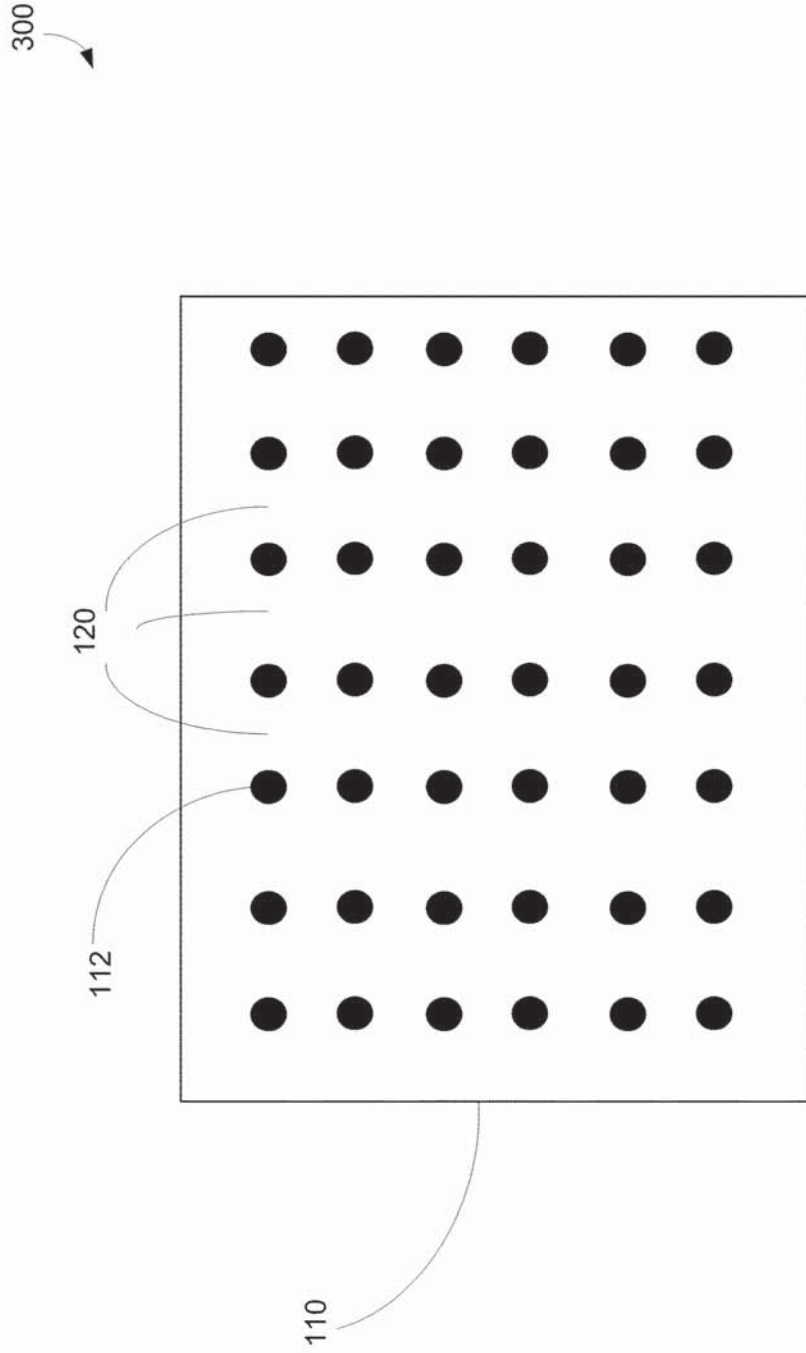


FIG 3

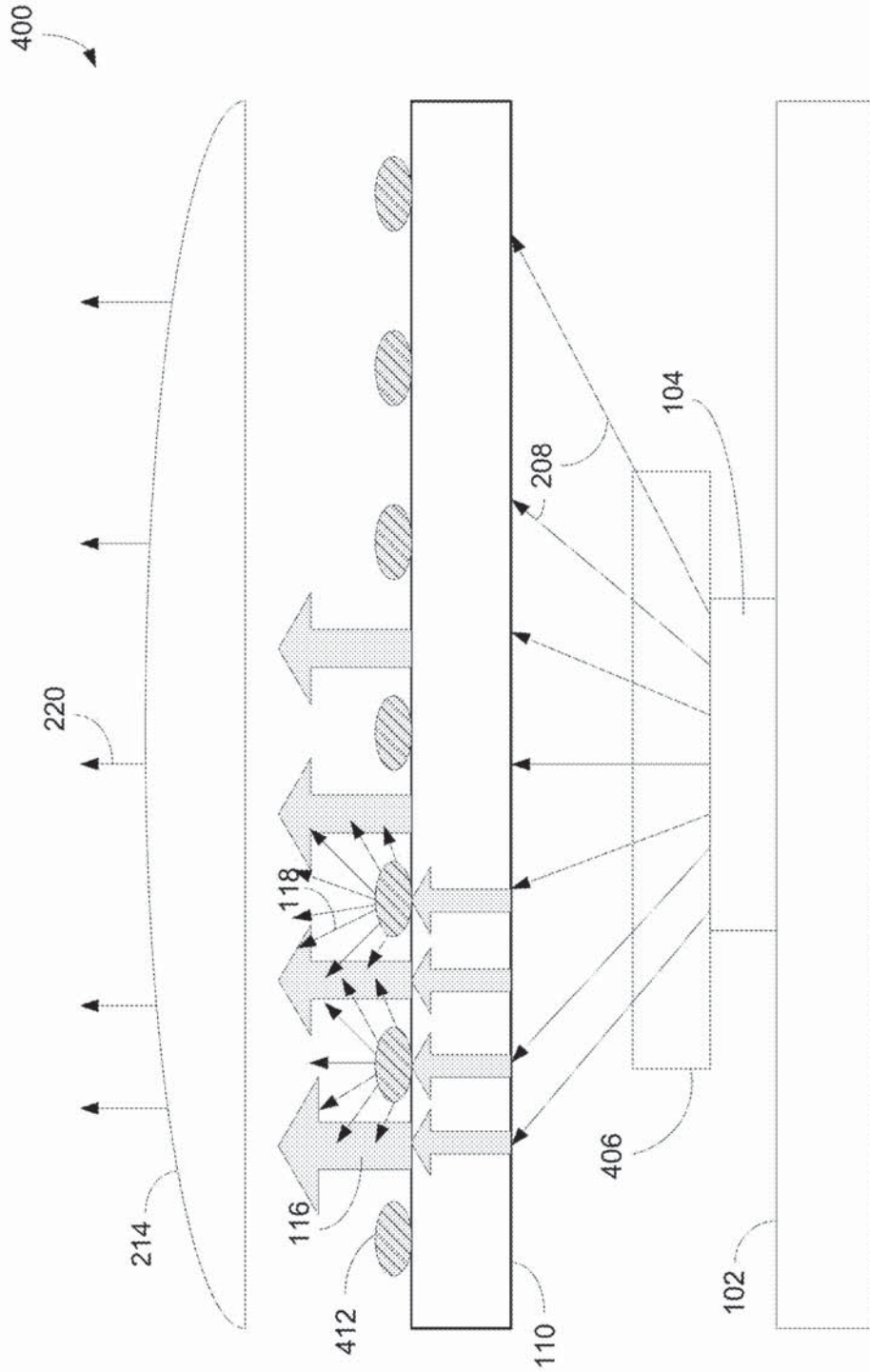


FIG 4

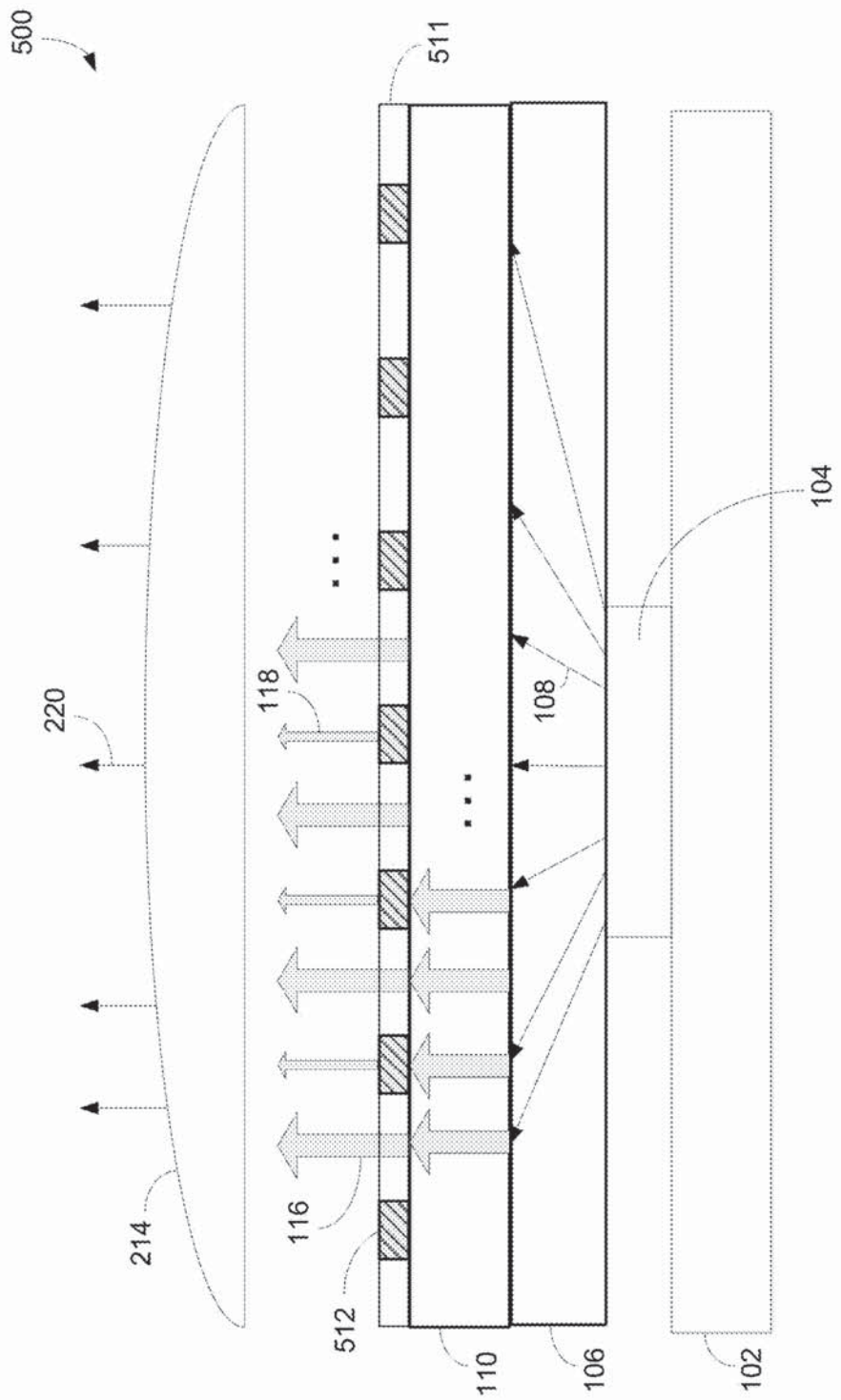


FIG 5

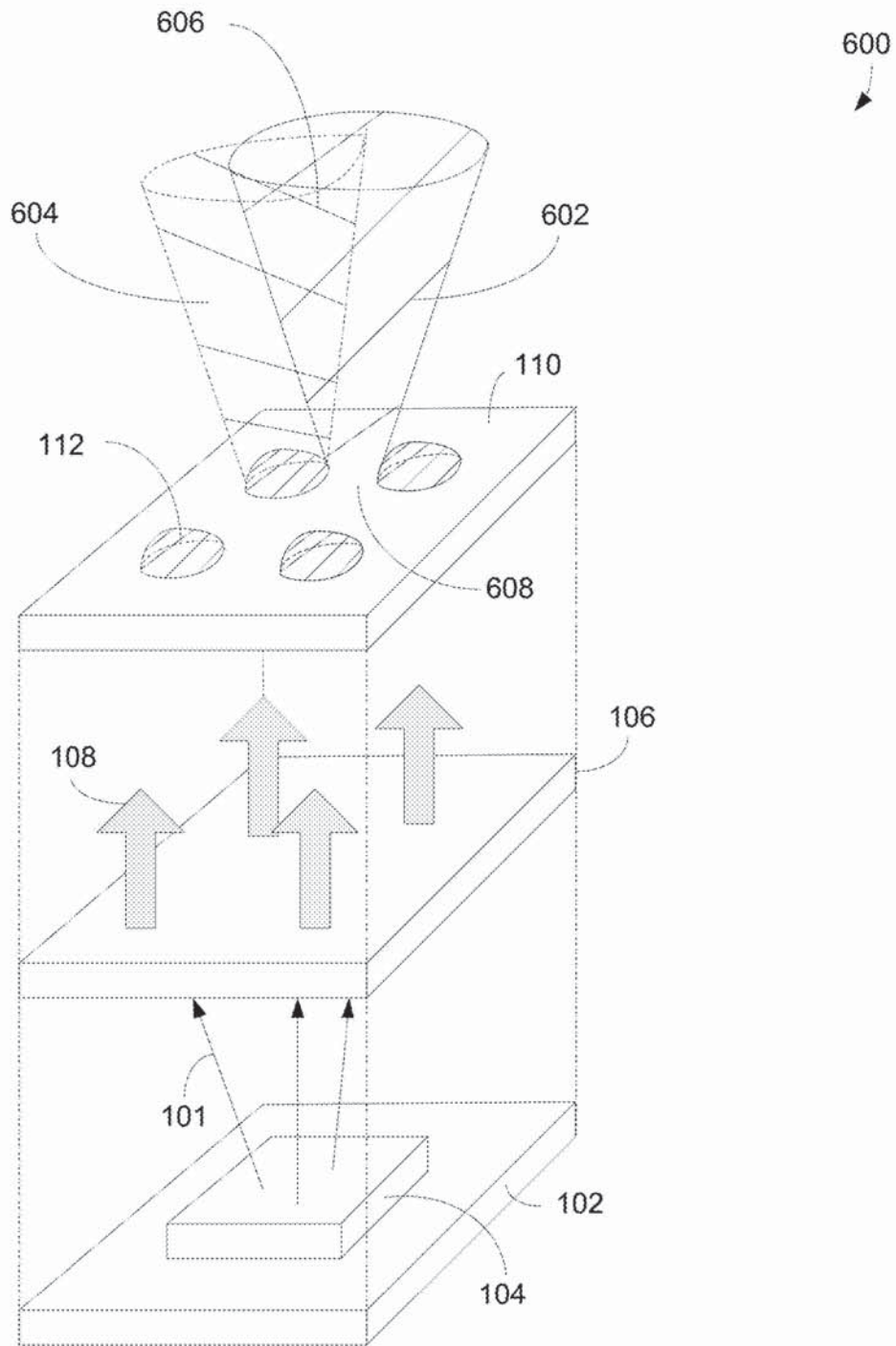


FIG 6

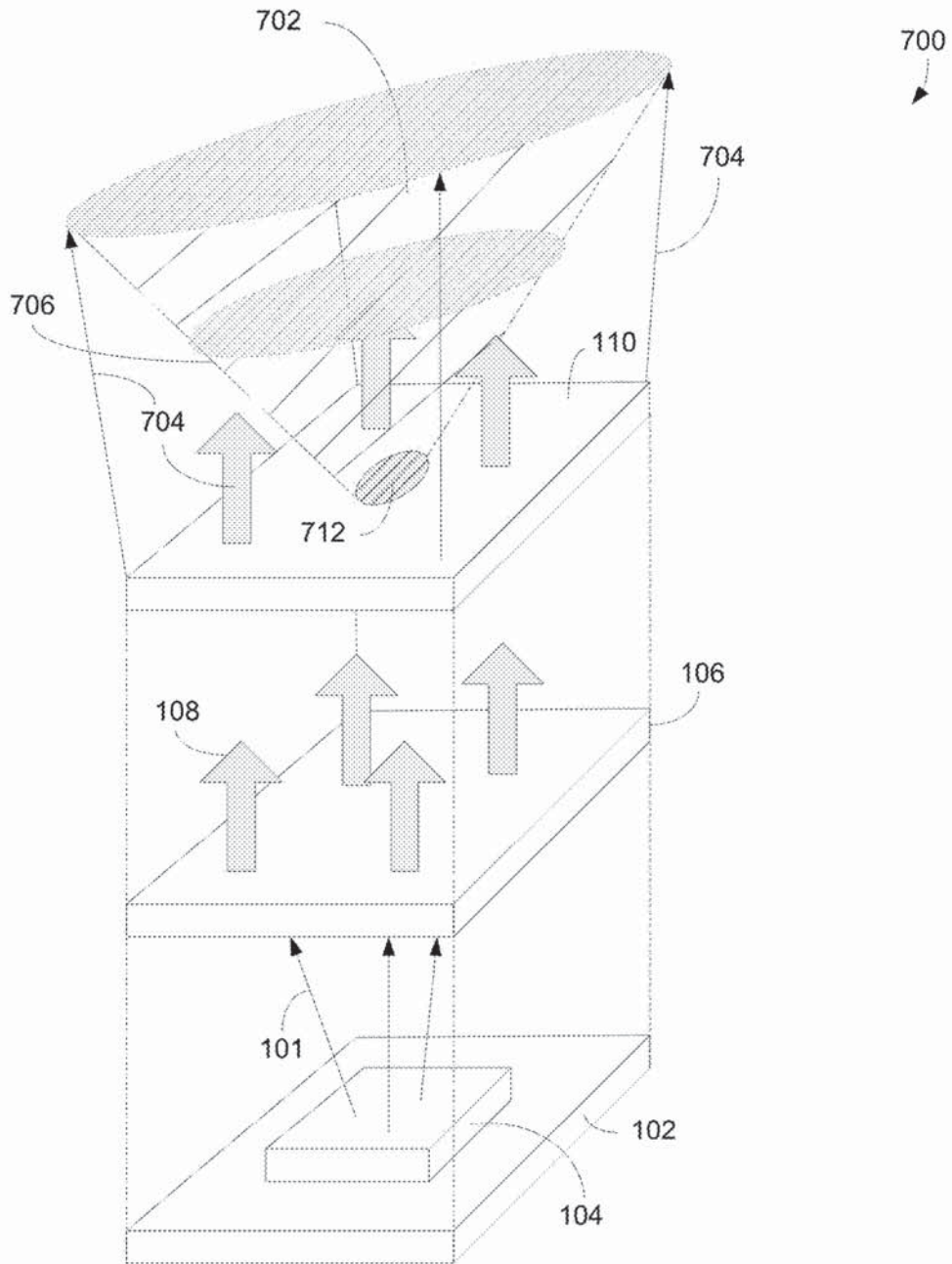


FIG 7

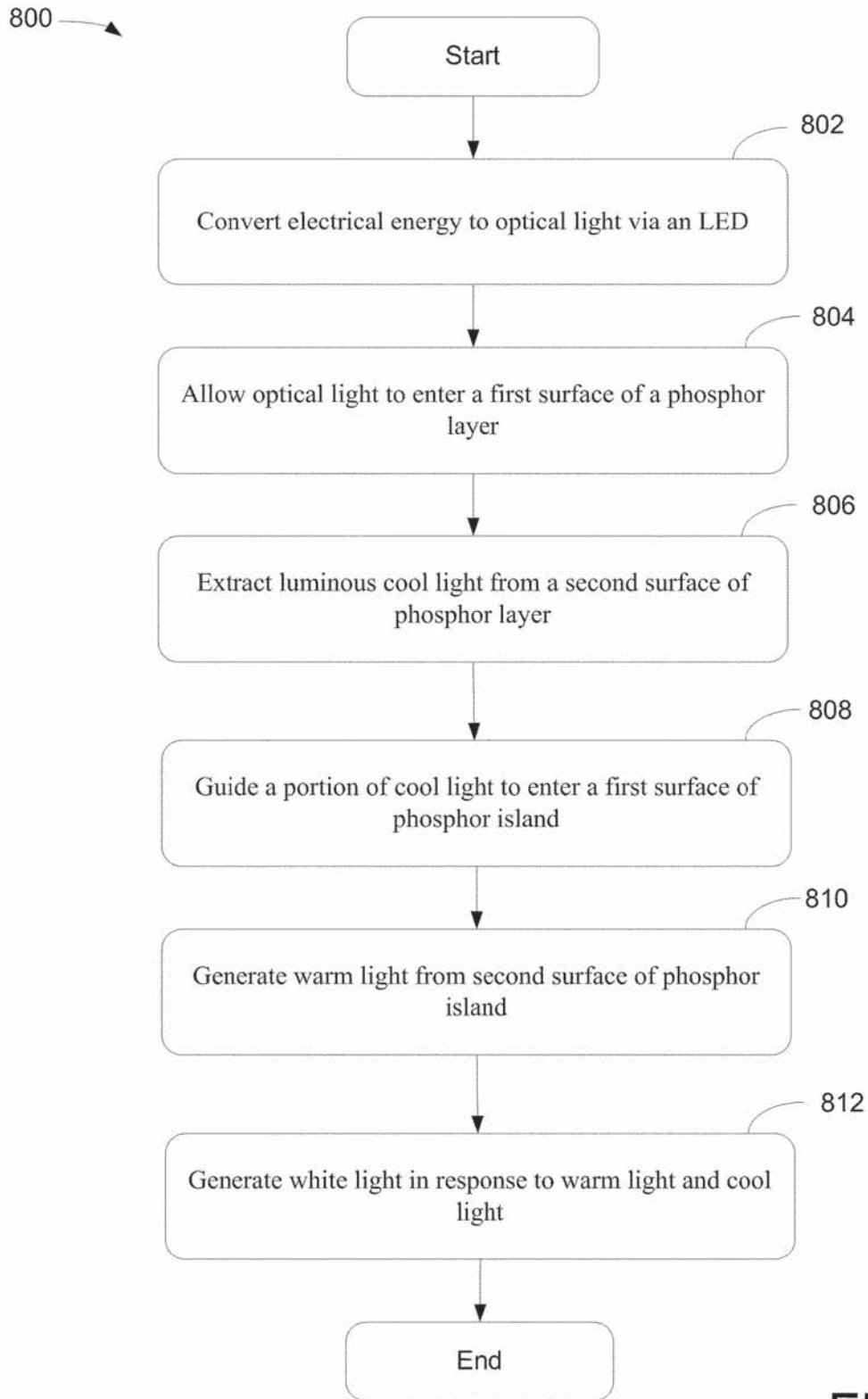


FIG 8

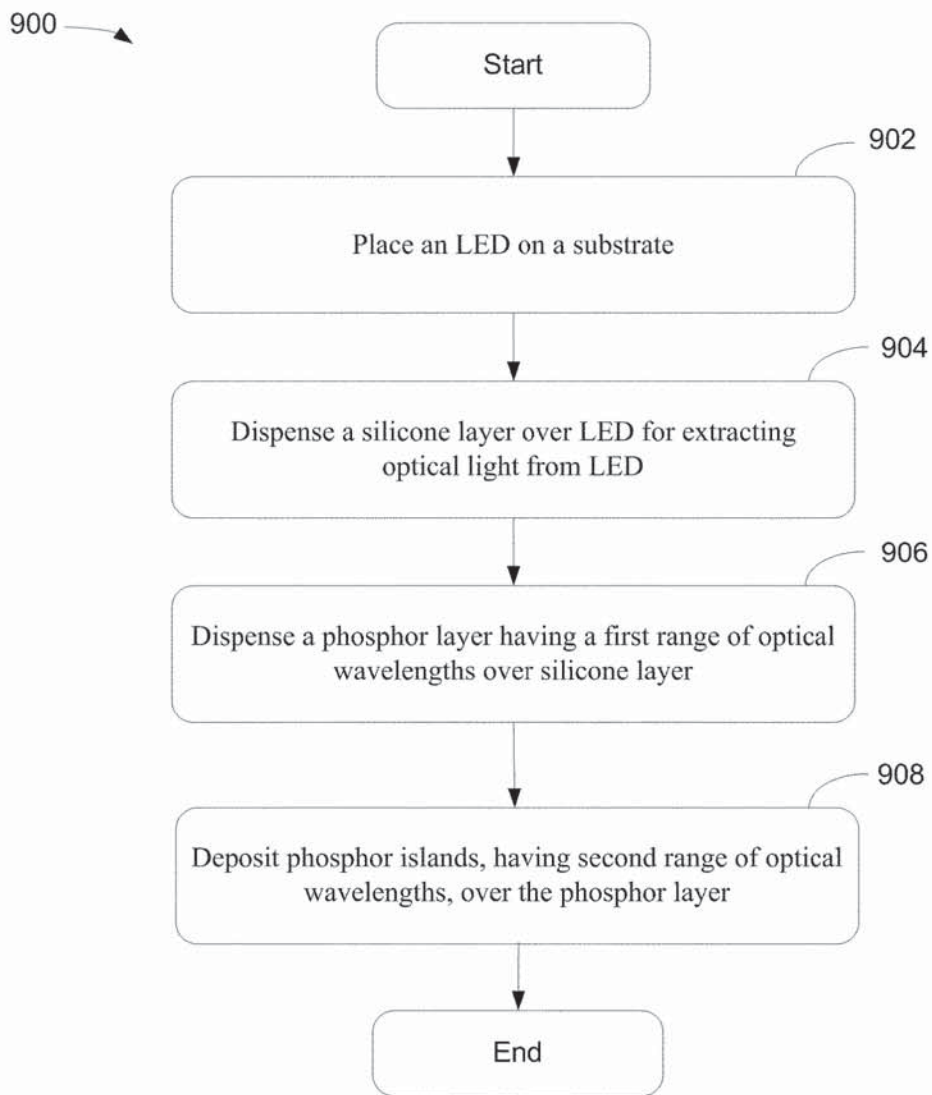


FIG 9

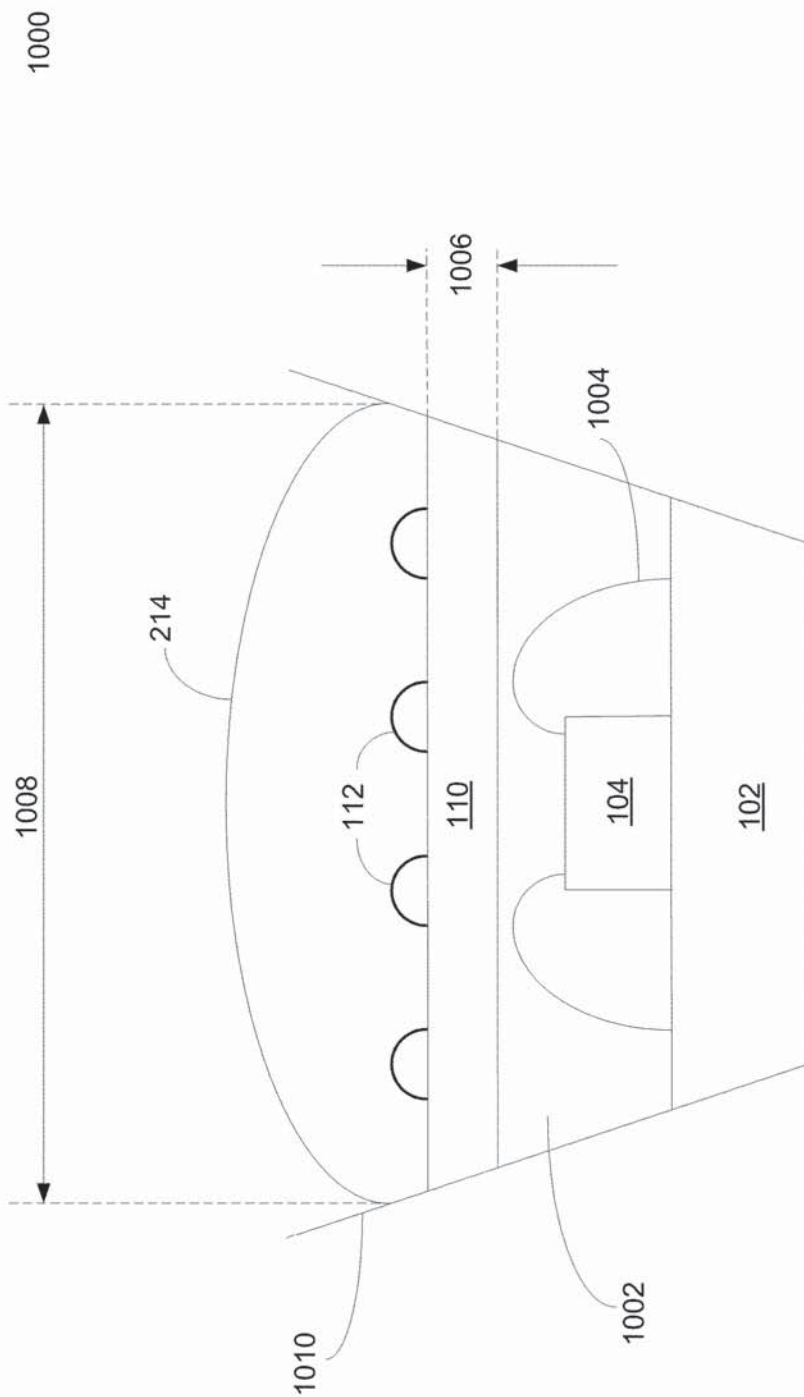


FIG 10

1

METHOD AND APPARATUS FOR GENERATING WHITE LIGHT FROM SOLID STATE LIGHT EMITTING DEVICES

PRIORITY

This patent application is a divisional patent application of U.S. patent application Ser. No. 12/130,459, filed May 30, 2008, entitled "Method and Apparatus for Generating White Light from Solid State Light Emitting Devices" by Tao Xu and Rene Peter Helbing, the disclosure of which is incorporated herein by reference.

FIELD

The exemplary aspect(s) of the present invention relates to lighting devices. More specifically, the aspect(s) of the present invention relates to solid state light emitting devices.

BACKGROUND

With decades of technical advancements and breakthroughs in the areas of semiconductor based solid state light emitting devices, Edison's incandescent light bulbs, which typically have 30% or less light efficiency, will soon be replaced with energy-efficient light emitting diodes ("LEDs"). A conventional LED is small and power efficient with good lifetime. Various commercial applications of LEDs, such as traffic lights as well as electronic billboards, have already placed in service.

An LED is a semiconductor diode with a biased p-n junction capable of emitting narrow-spectrum light or electroluminescence. Color of emitted light typically depends on the composition of material used in the device. Color variations for visible light are usually defined by electromagnetic radiation or optical wavelengths from approximately 400 nm (nanometer) to 700 nm. The quality of a light source on color appearance of objects is usually measured by the Color Rendering Index ("CRT"), wherein the highest CRT rating is 100. Typical cool white fluorescent lamps, for example, have a CRT of 62. On the other hand, lamps having rare-earth phosphors can be constructed with CRT of 80 or better.

A problem associated with a typical LED for indoor lighting is a low CRT rating, which could distort true color of objects. To enhance the color appearance, a conventional approach is to mix red phosphor with yellow phosphor to generate warm or neutral white light. Another conventional approach is to dispense two continuous red and yellow phosphor layers one on top of another to generate warm or neutral white light. A drawback, however, associated with these approaches is low light output ("LOP") or low lighting efficiency. LOP can be defined as a measurement of light luminosity, luminous flux, luminous intensity, light brightness, and the like.

Another approach to improve CRT rating is to combine yellow LEDs capable of emitting cool light with red LEDs capable of emitting red light. The combination of cool white light with red light enhances CRT rating. A drawback, however, associated with this approach is that the process of combining red LEDs with yellow LEDs involves a complicated assembling procedure. In addition, combining red and yellow LEDs may require additional circuitry on a control circuit board.

SUMMARY

A lighting device capable of generating warm white and neutral white light using phosphor islands disposed over a

2

phosphor layer is disclosed. The device includes a solid state light emitter, a phosphor layer, and phosphor islands. The solid state light emitter, in an aspect, is a light emitting diode ("LED") capable of converting electrical energy to optical light. The phosphor layer is disposed over the solid state light emitter for generating luminous cool white light in response to the optical light. Multiple phosphor islands are disposed on the phosphor layer for converting cool white light to warm light, wherein the phosphor islands are evenly distributed over the phosphor layer. In an aspect, optical wavelengths for the phosphor layer are shorter than the optical wavelengths of the phosphor islands. For example, the phosphor layer may be a yellow phosphor layer while phosphor islands may be red phosphor islands. It should be noted that mixing the cool white light with converted warm light generates natural light, which has a physical property of improved CRI and light output.

Additional features and benefits of the exemplary aspect(s) of the present invention will become apparent from the detailed description, figures and claims set forth below.

BRIEF DESCRIPTION OF THE DRAWINGS

The exemplary aspect(s) of the present invention will be understood more fully from the detailed description given below and from the accompanying drawings of various aspects of the invention, which, however, should not be taken to limit the invention to the specific aspects, but are for explanation and understanding only.

FIG. 1 is a cross-section view of an optical device illustrating an array of phosphor islands distributed over a phosphor layer for generating warm white and neutral white light in accordance with an aspect of the present invention;

FIG. 2 is a cross-section view of an example of an optical device illustrating an array of phosphor islands over a phosphor layer for generating warm light in accordance with an aspect of the present invention;

FIG. 3 illustrates a top view of an exemplary lighting device having an array of phosphor islands in accordance with an aspect of the present invention;

FIG. 4 is a cross-section view of an example of an optical device capable of generating warm white and natural white light using multiple phosphor islands in accordance with an aspect of the present invention;

FIG. 5 is a cross-section view of an example of an optical device capable of generating warm white and natural white light using phosphor islands embedded in a film in accordance with an aspect of the present invention;

FIG. 6 is a three-dimensional ("3D") perspective diagram illustrating a lighting device capable of generating natural white and warm white light using phosphor islands in accordance with an aspect of the present invention;

FIG. 7 is a 3D perspective diagram illustrating a lighting device capable of generating natural white and warm white light using a phosphor island in accordance with an aspect of the present invention;

FIG. 8 is a flowchart illustrating a process of generating warm white and natural white light using phosphor islands in accordance with an aspect of the present invention;

FIG. 9 is a flowchart illustrating a process of manufacturing a lighting device capable of generating natural white light in accordance with an aspect of the present invention; and

FIG. 10 illustrates a lighting device capable of generating natural white light in accordance with an aspect of the present invention.

Aspect(s) of the present invention is described herein in the context of a method, device, and apparatus of generating warm light using phosphor islands distributed light emitting device.

Those of ordinary skills in the art will realize that the following detailed description of the exemplary aspect(s) is illustrative only and is not intended to be in any way limiting. Other aspects will readily suggest themselves to such skilled persons having the benefit of this disclosure. Reference will now be made in detail to implementations of the exemplary aspect(s) as illustrated in the accompanying drawings. The same reference indicators will be used throughout the drawings and the following detailed description to refer to the same or like parts.

In the interest of clarity, not all routine features of the implementations described herein are shown and described. It will, of course, be understood that in the development of any such actual implementation, numerous implementation-specific decisions may be made in order to achieve the developer's specific goals, such as compliance with application- and business-related constraints, and that these specific goals will vary from one implementation to another and from one developer to another. Moreover, it will be understood that such a development effort might be complex and time-consuming, but would nevertheless be a routine undertaking of engineering for those of ordinary skills in the art having the benefit of this disclosure.

It is understood that the aspect of the present invention may contain integrated circuits that are readily manufacturable using conventional semiconductor technologies, such as for example CMOS ("complementary metal-oxide semiconductor") technology, or other semiconductor manufacturing processes. In addition, the aspect of the present invention may be implemented with other manufacturing processes for making optical as well as electrical devices.

Those of ordinary skills in the art will now realize that the devices described herein may be formed on a conventional semiconductor substrate or they may as easily be formed as a thin film transistor (TFT) above the substrate, or in silicon on an insulator (SOI) such as glass (SOG), sapphire (SOS), or other substrates as known to those of ordinary skills in the art. Such persons of ordinary skills in the art will now also realize that a range of doping concentrations around those described above will also work. Essentially, any process capable of forming pFETs and nFETs will work. Doped regions may be diffusions or they may be implanted.

The present aspect(s) of the invention illustrates a lighting device, which is capable of generating warm white and neutral white light using multiple red phosphor islands evenly distributed over a lighting element. The device includes a solid state light emitter, a yellow phosphor layer, and multiple red phosphor islands. The solid state light emitter, for example, is a light emitting diode ("LED") capable of converting electrical energy to optical light. The yellow phosphor layer is disposed over the solid state light emitter for generating luminous cool light in response to the optical light. Red phosphor islands, which are evenly distributed over the phosphor layer, are capable of converting a portion of cool light to red light. The warm white or the natural white light is generated after red light and cool white light are combined.

FIG. 1 illustrates a cross-section view of an optical device **100** capable of generating warm white or natural white light using an array of phosphor islands in accordance with an aspect of the present invention. Device **100** includes a

substrate **102**, a solid state light emitter **104**, a light extracting layer **106**, a phosphor layer **110**, and an array of phosphor islands **112**. Device **100**, in an aspect, is configured to combine red light **118** with cool white light **116** to generate warm white or natural white or neutral white light. Note that optical device **100** can also be referred to as a lighting device, a solid state light emitting device, a semiconductor lighting device, et cetera. It should be noted that the underlying concept of the exemplary aspect(s) of the present invention would not change if one or more blocks (or layers) were added to or removed from device **100**.

Solid state light emitter **104**, in one example, is a light emitting die, which can be manufactured by a semiconductor fabrication process. A function of solid state light emitter **104** is to convert electrical energy to optical light. Solid state light emitter **104** can be a light emitter diode ("LED"), which is capable of transferring electrical energy to optical energy via a biased p/n junction. The terms LED, optical light emitter die, and solid state light emitter are used interchangeably hereinafter. Solid state light emitter or LED **104** can be installed or attached to a substrate **102**, wherein substrate **102** facilitates communication between LED **104** and other devices via contacts and wire bond connections located on substrate **102**. LED chips, for example, can be bonded either directly onto a substrate or a regular LED reflector cup, not shown in FIG. 1. It should be noted that solid state light emitter can be replaced with any other types of lighting elements capable of converting electrical energy to optical light (or visible lightings).

Referring to FIG. 1, a first surface of LED **104** is attached to substrate **102** and a second surface of LED **104** is coupled to a light extracting layer **106**. Light extracting layer **106**, in an aspect, is a clear silicone layer capable of extracting or amplifying optical light or blue light emitted by LED **104**. For example, light extracting layer **106** assists LED **104** to generate sufficient blue optical light to satisfy a predefined laminating requirement. Blue light emitted by LED **104** via clear silicone layer **106** enhances luminous intensity or luminous flux of the optical light. It should be noted that light extracting layer **106** is not necessary in order for device **100** to work. LED **104**, however, may not produce sufficient optical light without light extracting layer **106**. As such, a more powerful and larger LED or a LED with better light extraction may be required to achieve similar results as if a light extracting layer was employed.

Light extracting layer **106**, in an aspect, is structured in a sheet or a layer formation, as illustrated in FIG. 1. Light extracting layer **106** can also be structured in a dome shape around LED **104**. A light extracting dome, for example, should perform substantially the same function(s) as light extracting layer **106**. It should be further noted that light extracting layer **106** or light extracting dome is not necessary in order for LED **104** to emit light. A first surface of light extracting layer **106** is attached to LED **104**, while a second surface of light extracting layer **106** is attached to a phosphor layer **110**.

Phosphor layer **110**, in an aspect, is a continuous yellow phosphor layer disposed over light extracting layer **106** and/or LED **104**. A function of phosphor layer **110** is to convert blue light to bright yellow light. The blue light or blue optical light, which generally has relatively low luminous intensity, is emitted from LED **104** via light extracting layer **106**. The bright yellow light, on the other hand, is also referred to as cool light, cool white light, or luminous cool light and it contains relatively high luminous intensity or flux or LOP.

In an aspect, phosphor layer **110** is a continuous green phosphor layer over light extracting layer **106**. The green phosphor layer is capable of generating bright cool light in accordance with blue optical light emitted by LED **104**. Blue optical light enters at one side of phosphor layer **110** and cool light (or cool white light) leaves from another side of phosphor layer **110**. As mentioned earlier, although cool white light provides higher LOP, it offers poor CRI rating. It should be noted that other colors of phosphor layer may be used to replace the yellow or green phosphor layer as long as they have an optical wavelength range from 490 nm to 590 nm. Optical wavelengths are also known as electromagnetic radiation wavelengths, radiation wavelengths, visible light wavelengths, optical spectrum wavelengths, and the like.

Phosphor layer **110** includes various material substances such as phosphor for creating a phenomenon of phosphorescence. Phosphorescence, for example, is a lighting process wherein energy absorbed by the substance is released relatively slowly in the form of light. Depending on selected color, different colors of phosphors can be made from one or more substances, such as oxides, sulfides, selenides, halides, silicates of zinc, cadmium, manganese, aluminum, silicon, and the like. Phosphor substances may further include activators that are used to prolong the emission of light. For example, phosphors may include copper-activated zinc sulfide or silver-activated zinc sulfide. It should be noted that similar phosphor-like layers may be used to replace phosphor layer **110** to achieve similar lighting results.

Multiple phosphor islands **112**, as shown in FIG. 1, are arranged in an array formation, in which sufficient space between phosphor islands is allocated. For example, spacing **120** between phosphor islands **112** may be used to create a passage for cool white light **116** to pass. As mentioned before, cool white light generally provides high LOP. Phosphor islands **112**, in an aspect, are capable of converting at least a portion **122** of cool white light to warm light **118** (or neutral white). Upon generation of warm light **118**, it is mixed or combined with cool white light **116** to generate cool white (with high CRI), warm, or natural white light. The cool white, warm white or natural white light should have a CRI range of 70 to 100.

Phosphor islands **112**, for example, can be dispensed onto phosphor layer **110** by a dot jet dispenser. In another aspect, a method of screen printing can be used to dispense phosphor islands **112** onto phosphor layer **110**. Also, a pre-fabricated film containing an array of phosphor islands **112** may be used to laminate the film onto phosphor layer **110**. Depending on applications, phosphor islands **112** may be reshaped to a large island or dot for providing warm light. The physical shape of each island **112** can also vary depending on applications. It should be noted that different physical shapes can cause different angles of light beam(s). With changing of physical shape of phosphor islands, specific warm beam angles can be achieved. For example, a dome shaped island can provide wider angle of light beams to spread or scatter warm light **118** into cool white light **116**. Phosphor islands **112** may also be referred to as phosphor objects, phosphor dots, optical islands, phosphor bars, and so forth.

In an aspect, phosphor islands **112** are configured to be red phosphor islands capable of generating red (or warm) light in response to a portion of cool white light. For example, a portion of cool white light **122** enters in one side of a red phosphor island **124** from phosphor layer **110** and red light or warm light **118** leaves from another side of red phosphor islands **124**. Note that as soon as the yellow light hits a red

phosphor island, the yellow light is immediately converted into red or warm light. Red light mixed with cool yellow light generates warm white or neutral white light. Red light from phosphor islands improves overall CCT (Correlated Color Temperature) and CRI rating. CCT and CRI are a measurement used to evaluate color quality of generated light.

Phosphor islands **112**, in another example, are orange phosphor islands or objects or dots for providing orange light. Combining orange light with yellow or green cool light generates warm white or neutral white light. Other colors of phosphor islands can also be used to replace red or orange phosphor islands as long as they have an optical wavelength range from 590 nm to 700 nm. It should be noted that although orange or red light have lower efficiency (LOP) than yellow light, orange or red light enhances CRI rating.

It should be noted that underlying concept of the exemplary aspect(s) of the present invention would not change if dimension(s) of substrate **102**, solid state light emitter **104**, light extracting layer **106**, phosphor layer, and/or phosphor islands **112** are changed. In an aspect, the size of substrate **102** is smaller than light emitter **104**. In another aspect, the size of light extracting layer is smaller than light emitter **104**. The size of phosphor layer **110** can also vary depending on the application. For example, device **100** produces similar light with similar CRI rating if the size of phosphor layer **110** becomes larger than light extracting layer **106**. In addition, the size and shape of phosphor islands **112** can also vary depending on applications.

An advantage of using optical device **100** having phosphor islands distributed over a phosphor layer is to provide warm white and neutral white lighting together with enhanced LOP and CRI rating.

FIG. 2 illustrates a cross-section view of an optical device **200** having an array of phosphor islands in accordance with an aspect of the present invention. Device **200** includes a substrate **102**, an LED **104**, a light extracting dome **206**, a phosphor layer **110**, a lens **214** and an array of phosphor dome islands **212**. Since the same reference indicators or numbers between the figures refer to the same or substantially the same components, the components, which have been described previously, are not described again. Device **200**, similar to device **100**, is capable of generating natural white or natural visible light via combining cool white light **116** with warm light **118**. It should be noted that the underlying concept of the exemplary aspect(s) of the present invention would not change if one or more blocks (or layers) were added to or removed from device **200**.

Light extracting dome **206**, in an aspect, is a clear silicone dome capable of extracting or amplifying optical light emitted by LED **104**. For example, light extracting dome **206** assists LED **104** to generate sufficient blue light for lighting. Blue light emitted by LED **104** via clear silicone dome **206** enhances luminous intensity. It should be noted that light extracting dome **206** is not necessary in order for device **200** to emit light. LED **104**, however, may not emit as much light as it would have if light extracting dome **206** is present. When light extracting dome **206** is absent, a more powerful LED or LED with better light extraction or performance may be required to compensate the missing dome. It should be noted that dome **206** may or may not contact phosphor layer **110**. Other layer, substances, liquid, and/or gas may be added between dome **206** and phosphor layer **110**.

Phosphor islands **212** are arranged in an array formation, wherein each island is structured in a dome or lens shape.

Spacing between phosphor islands 212 is used to facilitate a passage for cool white light 116. Blue light 208, for example, enters phosphor layer 110 and travel through phosphor layer 110 as light 216. Spacing between islands 212 allows light 216 to exit phosphor layer 110 and become cool white light 116 without impediment or obstruction before cool white light 116 reaches lens 214. Dome shaped phosphor islands 212, in an aspect, are configured to scatter warm or red light in response to various angles of each dome. An advantage of using dome shaped phosphor islands 212 is to better facilitate and control distribution of warm light.

Lens 214 is a glass, plastic, or silicon lens used for protecting phosphor islands 212 and device 200. In one aspect, lens 214 can also improve the light output. In addition to providing device protection, lens 214 may also provide a function of integrating red light 118 into cool white light 116 to produce warm white or natural white light 220. In another aspect, lens 214 can also be used to congregate light to form one or more light beams. It should be noted that additional layers or gas may be added between lens 214 and phosphor islands 212.

FIG. 3 illustrates a top view of a phosphor layer 110 of an exemplary device 300 having an array of phosphor islands in accordance with an aspect of the present invention. Phosphor islands 112 are evenly distributed over phosphor layer 110. It should be noted that spacing 120 between neighboring islands 112 are the same or substantially the same for establishing various passages for cool white light to pass through phosphor layer 110. It should be further noted that the islands are not necessary to be arranged in an array formation. In an aspect, islands 112 are combined into bars or strips for disseminating warm light. In another aspect, islands 112 may be reshaped into one large area for disseminating warm light. Also, islands can be any shapes such as square, circles, ellipses, triangles, and the like.

FIG. 4 illustrates a cross-section view of an optical device 400 capable of generating warm white or neutral white light using multiple phosphor islands in accordance with an aspect of the present invention. Device 400 includes a substrate 102, a solid state light emitter 104, a light extracting layer 406, a phosphor layer 110, a lens 214, and an array of phosphor islands 412. Device 400, in an aspect, is capable of generating natural white or natural visible light by mixing cool white light 116 with warm light 118. Light extracting layer 406 performs similar function(s) as light extracting layer 106 as illustrated in FIG. 1 except that light extracting layer 406 allows space or additional layers between light extracting layer 406 and phosphor layer 110. It should be noted that the underlying concept of the exemplary aspect(s) of the present invention would not change if one or more blocks (or layers) were added to or removed from device 400.

A set of phosphor islands 412 are arranged in an array formation, wherein each island 412 is structured in a spherical shape. The spherical shape includes elliptical shape, round shape, egg shape, and the like. Spacing between phosphor islands 412 is used to facilitate passage for cool white light 116 to reach lens 214 without obstruction. For example, light 208 travels through phosphor layer 110 and becomes cool white light 116 when light leaves phosphor layer 110. Each spherical shaped phosphor island 412, in an aspect, provides various angles for scattering different portion of warm light in different directions in response to angles of each spherical shaped island. An advantage of using spherical shaped phosphor islands 412 is to control scattering of warm rays into cool white light.

FIG. 5 illustrates a cross-section view of an optical device 500 capable of generating warm white or natural white light using phosphor islands in accordance with an aspect of the present invention. Device 500 includes a substrate 102, a solid state light emitter 104, a light extracting layer 106, a phosphor layer 110, a lens 214, and an array of phosphor islands 512 embedded in a film 511. Device 500, in an aspect, is capable of generating warm white or natural light by mixing cool white light 116 with red light 118. It should be noted that the underlying concept of the exemplary aspect(s) of the present invention would not change if one or more blocks (or layers) were added to or removed from device 500.

Film 511, in an aspect, embeds an array of phosphor islands 512 capable of emitting warm light. If phosphor islands 512 are red phosphor islands, red light or red ray can be generated when phosphor islands are activated. In an aspect, if phosphor islands 512 are orange phosphor islands, orange light or orange ray may be generated when the islands are activated. The islands are activated when cool white hits the islands.

Each phosphor islands 512, in an aspect, is structured in column shape, wherein the spacing between phosphor islands 512 is used for passages or channels for cool white light 116 to travel from light extracting layer 110 to lens 214. Column shaped phosphor islands 512, in an aspect, assist to generate white or natural white light by converting at least a portion of cool white light to warm light 118. An advantage of using column shaped phosphor islands 512 is to have better control of scattering warm light.

It should be noted that phosphor island 512 can be structured in various shapes, formations, and/or a combination of different shapes or formations. For example, phosphor islands 512 can be constructed in square, hemisphere, rectangular, triangle, spherical, prism and/or hybrid shapes. The hybrid shape may include rectangular shape in the middle while spherical shape at one or both ends of the rectangular. In an aspect, a portion of a phosphor island 512 is in a column shape and another portion of a phosphor island 512 is in a hemisphere shape wherein the column shape is embedded in film 511 while hemisphere shape is formed on the surface of film 511. Phosphor islands 512 can also be structured in irregular shape depending on the applications as well as fabrication process.

FIG. 6 is a three-dimensional ("3D") perspective diagram illustrating a lighting device 600 capable of generating warm white or neutral white using phosphor islands in accordance with an aspect of the present invention. Device 600 includes a substrate 102, a solid state light emitter 104, a light extracting layer 106, a phosphor layer 110, and multiple phosphor islands 112. Device 600, in an aspect, is capable of generating warm white or neutral white light by combining cool white light 602 from space 608 with red light 604 from phosphor islands 112. It should be noted that the underlying concept of the exemplary aspect(s) of the present invention would not change if one or more blocks (or layers) were added to or removed from device 600.

Referring back to FIG. 6, an array of four phosphor islands 112 is disposed over phosphor layer 110. Depending on applications, a different number of phosphor islands 112 can be distributed over phosphor layer 110. For example, a 10x10 or 20x20 array of phosphor islands may be arranged over phosphor layer 110 to produce red light. It should be noted that the overlap portion of red light 604 and cool white light 602 produces warm white or neutral white light 606. It is understood that natural white light 606 should have a CRI range from 70 to 100. The area ratio between phosphor

islands **112** and phosphor layer **110**, the size and the phosphor concentration of phosphor islands, and distribution, determines light intensity or luminous flux of device **600**.

FIG. 7 is a 3D perspective diagram illustrating a lighting device **700** capable of generating natural warm light using a phosphor island in accordance with an aspect of the present invention. Device **700** includes a substrate **102**, a solid state light emitter **104**, a light extracting layer **106**, a phosphor layer **110**, and a phosphor island **712**. Device **700**, in an aspect, is capable of generating natural white or natural visible light by mixing cool light beam **704** with warm light cone **706**. It should be noted that the underlying concept of the exemplary aspect(s) of the present invention would not change if one or more blocks (circuit or circuitries) were added to or removed from device **700**.

Referring back to FIG. 7, phosphor island **712** is disposed over phosphor layer **110** and is capable of converting a portion of cool white light into a warm light cone **706**. Warm light cone **706** is a cone shaped warm ray that is configured to mix the warm ray with cool white light to produce natural warm light **702**. Depending on the application, the balance between LOP and CRI of device **700** depends on the size of phosphor island **712**. It should be noted that the shape of island **712** can vary depending on the CRI and LOP requirements.

The exemplary aspect of the present invention includes various processing steps, which will be described below. The steps of the aspect may be embodied in machine or computer executable instructions. The instructions can be used to cause a general purpose or special purpose system, which is programmed with the instructions, to perform the steps of the exemplary aspect of the present invention. In another aspect, the steps of the exemplary aspect of the present invention may be performed by specific hardware components that contain hard-wired logic for performing the steps, or by any combination of programmed computer components and custom hardware components.

FIG. 8 is a flowchart **800** illustrating a process of generating warm white or neutral white light using phosphor islands in accordance with an aspect of the present invention. At block **802**, a process uses an LED to convert electrical energy to optical light. It should be noted that other types of solid state light emitting components may be used in place of the LED. In an aspect, the process further uses a clear silicone layer, which is disposed over the LED, to extract blue optical light from the LED. After block **802**, the process proceeds to the next block.

At block **804**, the process is capable of allowing optical light to enter the bottom surface of a phosphor layer. In an aspect, the phosphor layer includes phosphor substances capable of improving LOP in accordance with blue optical light. After block **804**, the process moves to the next block.

At block **806**, the process extracts luminous cool white light from the top surface of the phosphor layer. The phosphor layer, in an aspect, is a yellow phosphor layer capable of increasing luminous flux or luminous intensity in accordance with the optical light. For example, the yellow phosphor layer converts blue optical light emitted by an LED to bright cool white light. After block **806**, the process proceeds to the next block.

At block **808**, the process guides a portion of cool white light entering the bottom surface of phosphor islands, which, in an aspect, are evenly distributed over the top surface of the phosphor layer. The shape of phosphor islands or objects can vary depending on applications. In an aspect, phosphor

islands can merge into one single lens-shaped island for distributing warm light. After block **808**, the process proceeds to the next block.

At block **810**, the process is capable of generating red light from the top surface of multiple phosphor islands in response to at least one portion of cool white light. It should be noted that the phosphor islands are arranged in an array formation over the phosphor layer. In an aspect, the process facilitates and/or allows a portion of cool white light to pass an array of red phosphor objects to generate red light. Also, the process is capable of allowing optical light to pass a green phosphor layer to increase luminous flux. Upon creation of cool white light, a portion of cool white light is converted to orange light after it passes through an array of orange phosphor objects. After block **810**, the process proceeds to the next block.

At block **812**, the process generates white light in response to red light and cool white light. In an aspect, the process mixes red light with cool white light to generate warm white or neutral white light. In another aspect, the process mixes green light with orange light.

Having briefly described a process of generating warm white or neutral white light from an aspect of a solid state lighting device, FIG. 9 illustrates a semiconductor fabrication process capable of manufacturing a semiconductor based lighting device. FIG. 9 is a flowchart **900** illustrating a process of manufacturing a lighting device capable of generating warm white or neutral white light in accordance with an aspect of the present invention.

At block **902**, a fabrication process places an LED or any other types of solid state light emitting dies on a substrate. For example, the process uses standard eutectic or flux eutectic semiconductor bonding procedures to anchor the LED to the substrate. After block **902**, the process proceeds to the next block.

At block **904**, the process dispenses a silicone layer over the LED for extracting optical light from the LED. It should be noted that other types of light extracting layers or domes may be used in place of the silicone layer for extracting light. After block **904**, the process moves to the next block.

At block **906**, the process dispenses a phosphor layer having a first range of optical wavelengths over the silicone layer for generating luminous cool white light. In an aspect, the process uses a jet dispenser to dispense a continuous yellow phosphor layer over the silicone layer. After block **906**, the process proceeds to the next block.

At block **908**, the process deposits multiple phosphor islands over the phosphor layer for generating warm light. Each phosphor island has a second range of optical wavelengths, wherein the first range of optical wavelengths is shorter than the second range of optical wavelengths. In one example, the process employs a PicoDot™ jet dispenser to dispense an array of red phosphor islands on a yellow phosphor layer. In an aspect, the process can use a method of screen printing to deposit red phosphor islands over the yellow phosphor layer. The process, in an aspect, is further capable of placing a silicone molding lens over phosphor islands for device protection.

FIG. 10 illustrates a lighting device **1000** capable of generating natural white light in accordance with an aspect of the present invention. Device **1000** is fabricated in a cup configuration **1010**, wherein it includes a substrate **102**, a solid state light emitter **104**, a light extracting layer **1002**, a phosphor layer **110**, a lens **214**, and multiple phosphor islands **112**. Like devices **100-600**, device **1000** is capable of generating natural white or natural visible light in response to cool white light and warm light. It should be noted that the

11

underlying concept of the exemplary aspect(s) of the present invention would not change if one or more blocks were added to or removed from device **1000**.

Depending on the application, the dimension of device **1000** can vary. In an aspect, a range of physical dimension **1008** for the top view of device **1000** is from 0.2 centimeter (“cm”) to 2 cm. The top view of device **1000**, for example, is the lighting area. Various bond wires **1004** are used for transferring electric signals between LED **104** and substrate **102**. Light extracting layer **1002** is disposed between substrate **102** and phosphor layer **110** to extract light from LED **104**. In addition, light extracting layer **1002** can perform a function of epoxy or polyepoxide, which is a thermosetting epoxide polymer, used to anchor bond wires **1004**. It should be noted that light extracting layer **1002** may include multiple layers for extracting light as well as adhesive characteristics.

Phosphor layer **110** can be a yellow phosphor layer, wherein the range of thickness for phosphor layer is, in an aspect, from 0.05 to 20 millimeters (“mm”). It should be noted that the concentration of the phosphor may determine how much light device **1000** can emit. An array of phosphor islands is dispensed over phosphor layer **110**. It should be noted that a jet dispenser can be used to achieve controlled dispensing process for high dot-to-dot consistency. For non-contact dispensing of low to high viscosity fluids and/or non-contact jetting, the typical jet dispenser, for example, can cover areas of droplet arrays with shot size starting at 0.002 μl (2 nl) to flow rate up to 300 g/min (10 oz/min). Note that optional precision needle adapter allows contact dispensing of dots and beads with consistency and high positioning precision. Another advantage of using the jet dispenser is fast cycle rates, which, for example, can go up to 150 dots per second, and also integrates a heater with viscosity control.

12

While particular aspects of the present invention have been shown and described, it will be obvious to those skilled in the art that, based upon the teachings herein, changes and modifications may be made without departing from this exemplary aspect(s) of the present invention and its broader aspects. Therefore, the appended claims are intended to encompass within their scope all such changes and modifications as are within the true spirit and scope of this exemplary aspect(s) of the present invention.

What is claimed is:

1. A method for generating light, comprising:
 converting electrical energy to optical light via a light emitter diode (“LED”);
 allowing the optical light to enter a first surface of a phosphor layer, the first surface of the phosphor layer being a planar surface covering over the LED;
 extracting luminous cool light from a second surface of the phosphor layer;
 guiding a portion of the cool light to enter a plurality of flat surfaces of dome shaped phosphor islands situated directly on the second surface of the phosphor layer, wherein the plurality of flat surfaces of the dome shaped phosphor islands is situated in a substantially same plane as the second surface of the phosphor layer;
 generating warm light from a plurality of dome surfaces of the dome shaped phosphor islands;
 scattering the warm light via surface angles of dome shaped surfaces of the plurality of dome shaped phosphor islands, wherein the dome shaped phosphor islands are arranged in an array formation organized in columns and rows on the phosphor layer; and
 combining the warm light from the plurality of dome surfaces of the dome shaped phosphor islands with the cool light from the second surface of the phosphor layer to generate white light.

* * * * *