

BRIDGELUX V SERIES™ LED ARRAYS

Product Brief

The V Series is a high performance, cost-optimized line of chip on board (COB) light sources designed for sub-1000 lumen commercial and residential lighting applications where tight beam control and high quality matter. These compact LED array sources deliver high performance technology that is leveraged from the highly successful Bridgelux Vero Series product line.

The V Series is available in multiple light emitting surface (LES) sizes, electrical configurations, CCT and CRI combinations, enabling greater design-in flexibility and energy efficiencies and have been optimized to enable a cost-effective design for LED lamps, commercial track and spotlights, consumer down lights and other general applications.



QUALITY LIGHTING MADE EASY

High Quality Light with Plug & Play Simplicity

FEATURES

- › Compact high flux density light source
- › Uniform high quality illumination
- › Minimum 70, 80, 90 CRI options
- › Streamlined thermal path
- › Energy Star / ANSI compliant color binning structure with 3 SDCM options
- › More energy efficient than incandescent, halogen, and fluorescent lamps
- › Low voltage DC operation
- › Instant light with unlimited dimming
- › 5-Year limited warranty

BENEFITS

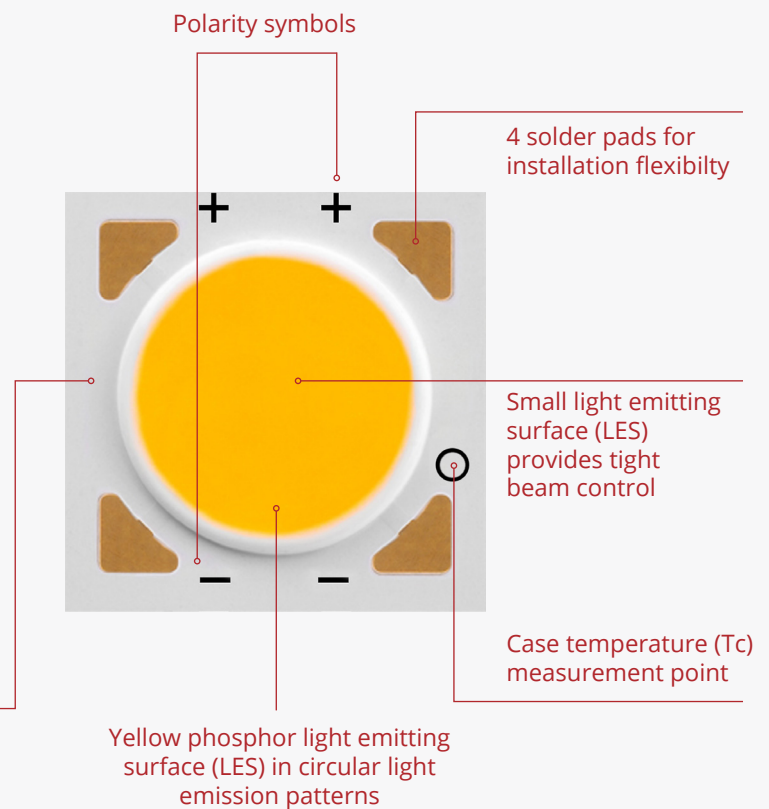
- › Enhanced optical control
- › Clean white light without pixilation
- › High quality true color reproduction
- › Significantly reduced thermal resistance and increased operating temperatures
- › Uniform consistent white light
- › UL Recognized, with LM-80 reliability data
- › Easy to use with daylight and motion detectors to enable increased energy savings
- › Reduced maintenance costs
- › Environmentally friendly, no disposal issue
- › CEC complaint version available

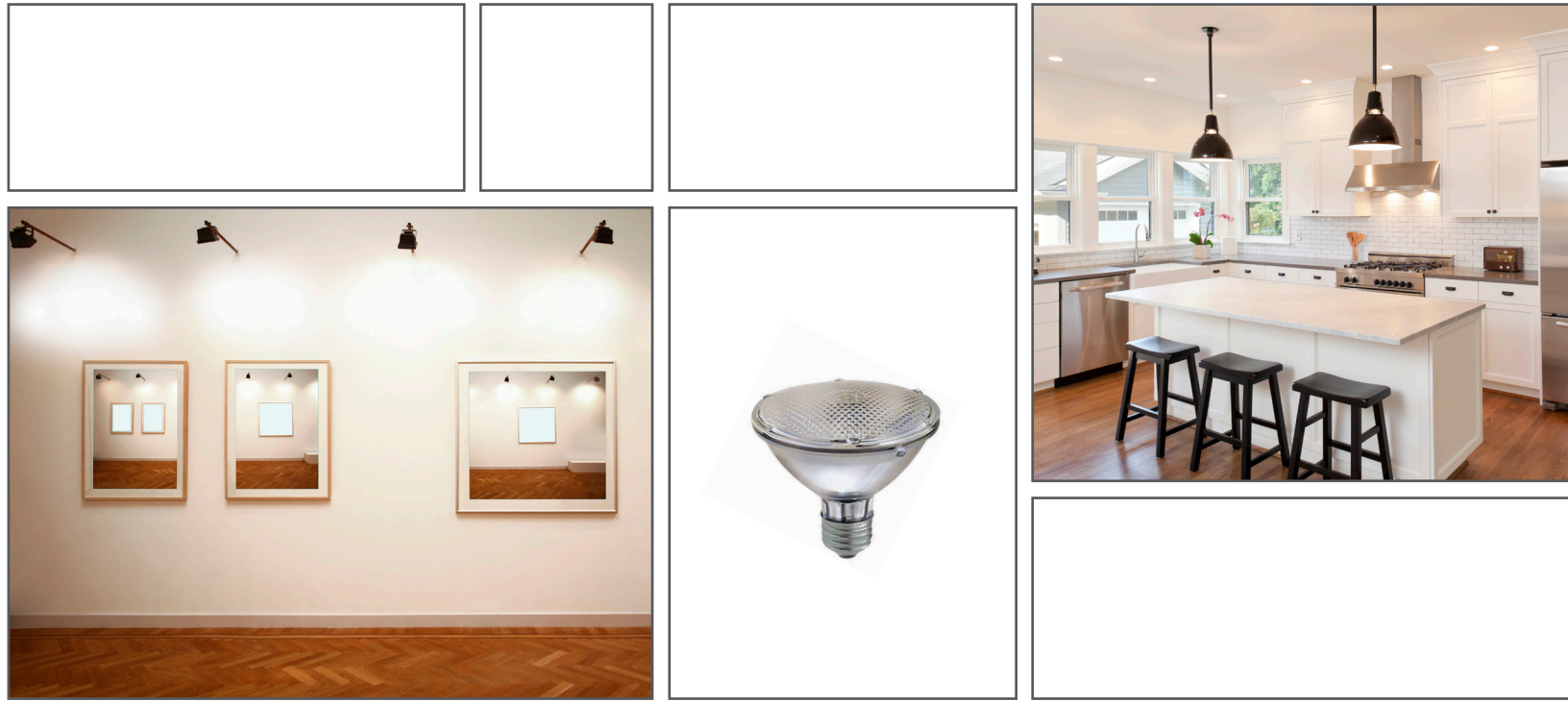
BRIDGELUX V SERIES ADVANTAGE

The Bridgelux V Series brings next generation array technology to a compact cost-effective line of light source packages.

- › Bridgelux LED light quality in small cost-efficient form factors
- › 6, 8 or 10mm LES options provide tight beam control, well suited for sub-1000 lumen applications
- › Option to drive at 2x delivers greater lumen output value (lumens per \$) and design flexibility
- › Four solder pads provide installation flexibility
- › Mount with screws or low cost holders
- › Compatible with several existing optics and reflectors

Fully engineered substrate for consistent thermal, mechanical and optical properties

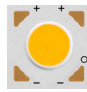

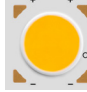




APPLICATIONS

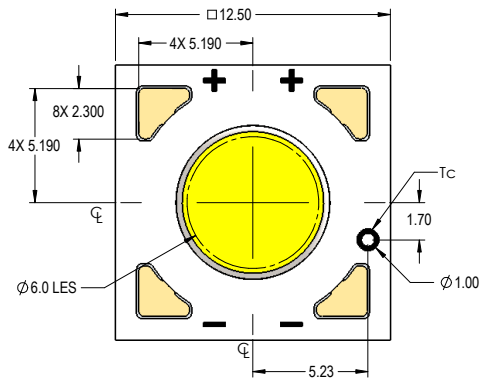
The Bridgelux V Series has been designed to enable a cost-effective design for LED retrofit bulbs, halogen spotlight replacements, commercial track and spotlights, consumer down lights and other general lighting applications. Typical applications include:

- › PAR lamps
- › MR-16 lamps
- › Track and spot lighting
- › Down lights
- › Landscape spot lighting
- › Porch and security lighting
- › Portable lighting
- › Consumer luminaire

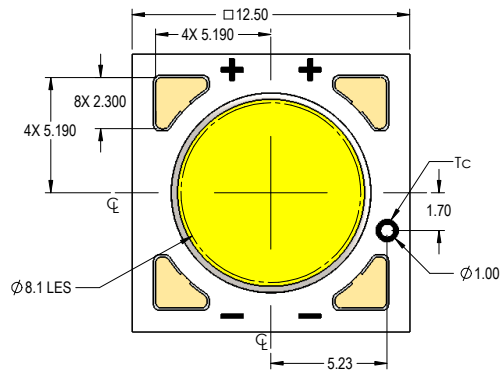
							
		V6	V8	V10			
		Light Output (lms)					
Typical CCT (K)	CRI	Nominal Current 175mA, 17.8 volts 350mA, 8.9 volts (3.1 watts)	Nominal Current 175mA, 35.6 volts 350mA, 17.8 volts (6.2 watts)	Nominal Current 350mA, 26.7 volts (9.4 watts)			
2700K	80	350	705	1055			
	90	280	565	845			
3000K	80	365	730	1095			
	90	300	595	895			
4000K	80	385	770	1155			
5000K	70	425	850	1275			
		Lumens					
		V6		V8		V10	
		3000 K 80 CRI	5000 K 70 CRI	3000 K 80 CRI	5000 K 70 CRI	3000 K 80 CRI	5000 K 70 CRI
Minimum		90	105	185	215	275	320
Maximum		645	755	1295	1505	1940	2260

NOTES:

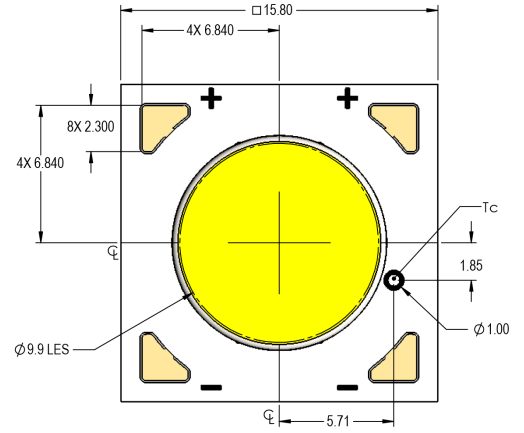
1. Typical values indicated at nominal current under pulsed measurement conditions, T_j = 25°C



V6



V8



V10

Note: Product specifications are subject to change without notice. Please consult your Bridgelux sales representative for more information.



Global contact information is available at:
www.bridgelux.com/contact/sales.html

101 Portola Avenue
 Livermore, CA 94551
 USA
 +1 925.583.8400
sales@bridgelux.com
www.bridgelux.com